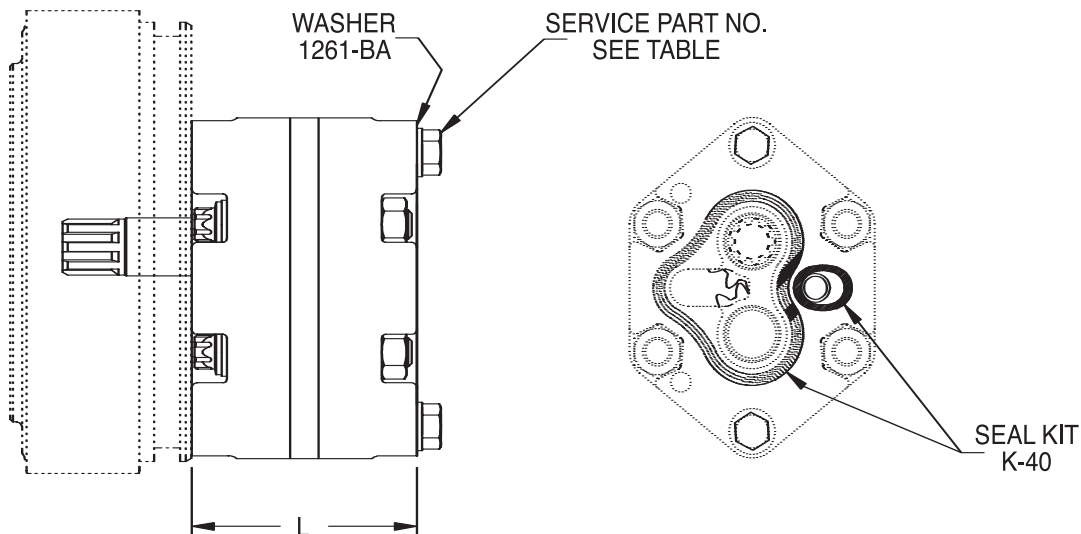


PUMP KITS AFC SERIES



Current Endhead Design Uses 5/16-24 Mounting Thread. Older Endhead Design Used M8 Mounting Thread. Pump Kits Include Both Imperial And Metric Mounting Bolts.

KIT NO.	DISPLACEMENT		LENGTH		MAXIMUM PRESS			INCLUDED IN KIT KP_	
	CC REV	CIPR	MM	INCH	MAX. RPM	CONT. PSI / BAR	INTERMIT. PSI/BAR	SERVICE BOLT PART NO.	SERVICE BOLT PART NO.
KP08	0.8	0.049	57	2.25	5000	5000/350	5000/350	2824-AA METRIC	F1-1052-75 IMPERIAL
KP10	1.0	0.061	58	2.28	5000	5000/350	5000/350	2824-AA METRIC	F1-1052-75 IMPERIAL
KP12	1.2	0.073	59	2.32	5000	5000/350	5000/350	2825-AA METRIC	F1-1052-75 IMPERIAL
KP16	1.6	0.098	60	2.38	5000	5000/350	5000/350	2825-AA METRIC	F1-1052-75 IMPERIAL
KP20	2.0	0.122	62	2.44	4000	5000/350	5000/350	2825-AA METRIC	F1-1053-00 IMPERIAL
KP25	2.5	0.153	64	2.52	4000	4600/320	5000/350	2826-AA METRIC	F1-1053-00 IMPERIAL
KP31	3.1	0.189	67	2.62	4000	3600/250	5000/350	2826-AA METRIC	F1-1053-00 IMPERIAL
KP40	4.0	0.244	70	2.75	4000	3000/200	4000/280	2826-AA METRIC	F1-1053-25 IMPERIAL
KP50	5.0	0.305	74	2.90	4000	2300/160	3200/220	2827-AA METRIC	F1-1053-50 IMPERIAL
KP63	6.3	0.384	79	3.11	3200	1800/125	2500/175	2827-AA METRIC	F1-1053-50 IMPERIAL
KP80	8.0	0.488	86	3.37	2400	1500/100	2000/140	2828-AA METRIC	F1-1053-75 IMPERIAL

Kit includes washers and mounting bolts. Use all washers. Mounting bolts are grade 5. **Do not substitute.**

KP10 cannot be used in duplex pump applications.