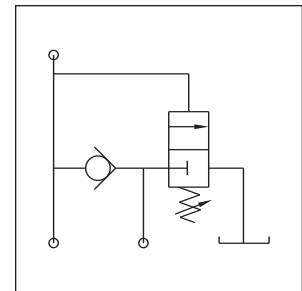
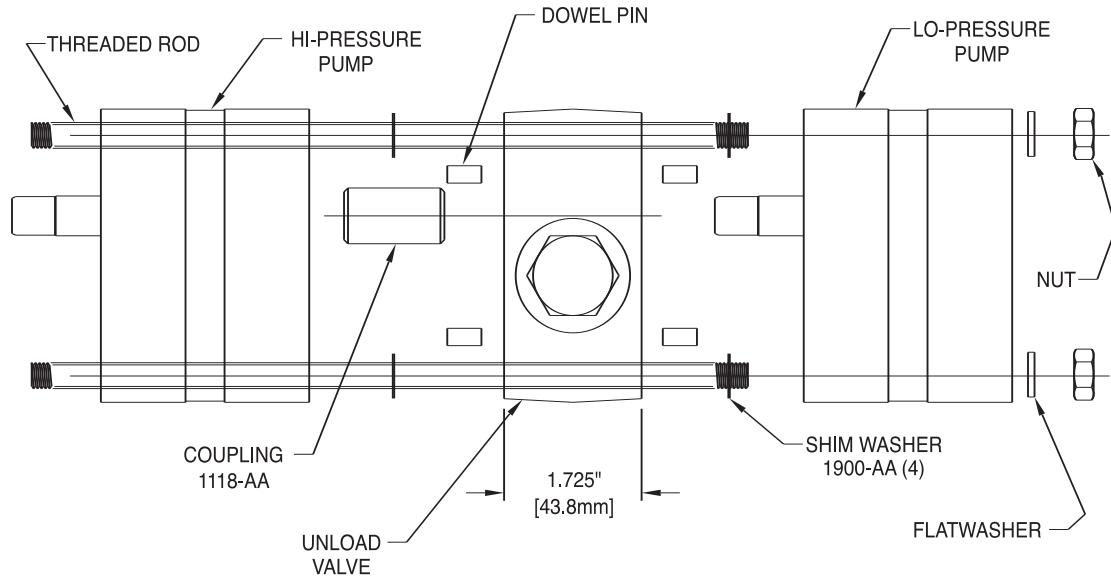


KU2-4

UNLOAD ASSEMBLY



Current Endhead Design Uses 5/16-24 Mounting Thread. Older Endhead Design Used M8 Mounting Thread. Pump Kits Include Both Imperial And Metric Mounting Bolts.

Kit No.	Unload Setting	Adjustment Range
KU2	300 PSI	300-450 PSI (20-30 BAR)
KU4	600 PSI	500-1000 PSI (35-70 BAR)

Any 2 AFC pumps (except KP10) may be piggybacked with an unload valve between them to create a duplex (or hi-lo) pump.

Metric and imperial threaded rod, nuts and washers provided.

Unload setting can be adjusted in range shown.