

KS1-4

INTERMITTENT DUTY START SOLENOIDS

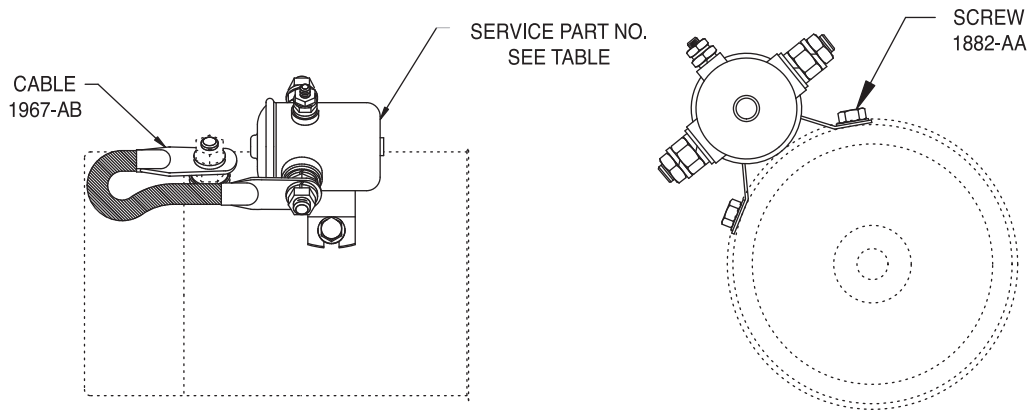


Figure 1 Internal Ground

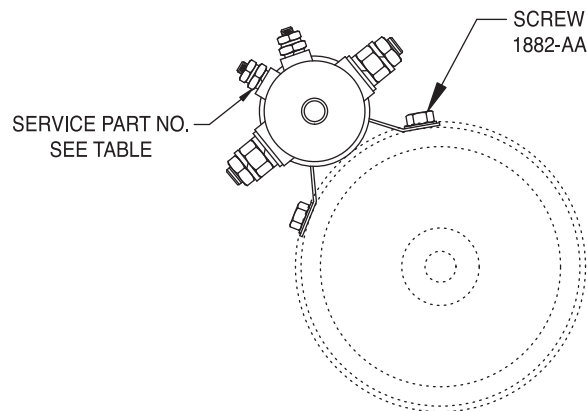


Figure 2 External Ground

KIT NO.	VOLTAGE	SERVICE P/N	CONFIGURATION	UL RECOGNIZED
KS1	12 VDC	2145-AA	FIG. 1	NO
KS2	24 VDC	2151-AA	FIG. 1	NO
KS3	12 VDC	1866-CA	FIG. 2	YES
KS4	24 VDC	2150-AA	FIG. 2	YES

For mounting to 3.0" motors, order KS_ and K-104.

For flexibility of mounting position on 4.5" motors, order KS_ and K-105 (band clamp kit).

Note: Stone uses a network of qualified suppliers to ensure availability. There are minor dimensional and cosmetic differences between vendor's products.