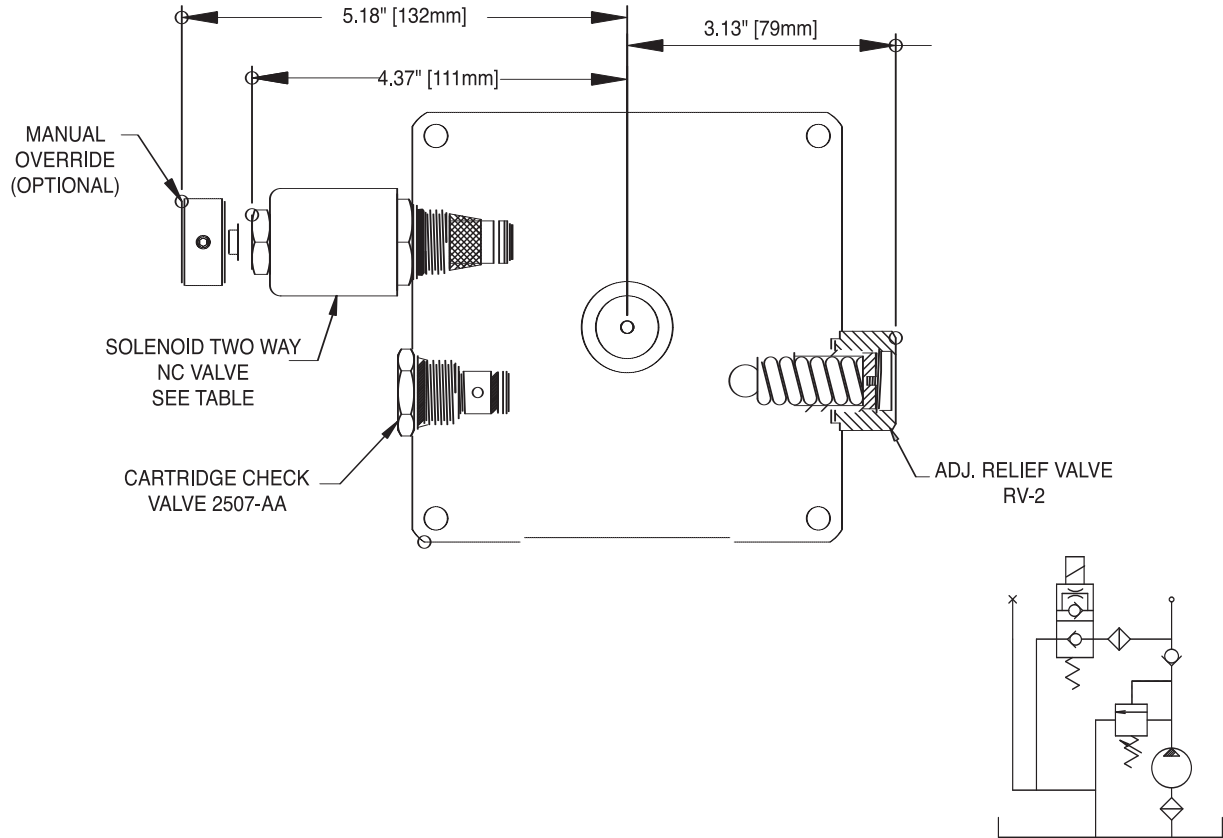


RELIEF, CHECK, SOLENOID RELEASE VALVE KIT



KIT NO.	COIL VOLTAGE	CONNECTION STYLE	HANDSETS	KIT NO.	COIL VOLTAGE	CONNECTION STYLE	HANDSETS
KC01A	12V DC	DIN/Hirschmann		KC01G	24V AC	DIN/Hirschmann	
KC01B	12V DC	Dual 1/4" Spade		KC01H	230V AC	DIN/Hirschmann	
KC01C	12V DC	Single # 10 UNF Stud	*	KC01J	115V AC	DIN/Hirschmann	
KC01D	24V DC	DIN/Hirschmann		KC01K	12V DC	Smart Start	**
KC01E	24V DC	Dual 1/4" Spade		KC01L	24V DC	Smart Start	**
KC01F	24V DC	Single # 10 UNF Stud	*				

Kit includes 4 color-coded relief springs as follows: Blue (300-599 PSI) [20.7-41.3 Bar], Green (600-1299 PSI)[41.4-89.6 Bar], Red (1300-1999 PSI)[89.6-137.8 Bar], Black (2000-4199 PSI) [137.9-289.5 Bar].

Optional: (4200-5000 PSI) [289.6-345 Bar] Relief valve kit available, order part no. K-175.

Optional: Order JF-0048 spring locator when using the blue (300-599 PSI) [20.7-41.3 Bar] spring.

Remote cord set available, for styles: * Order KG11 ** Order KG11A.

If using smart start with stud terminal coil, order 4088-AB.