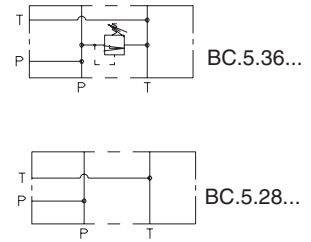


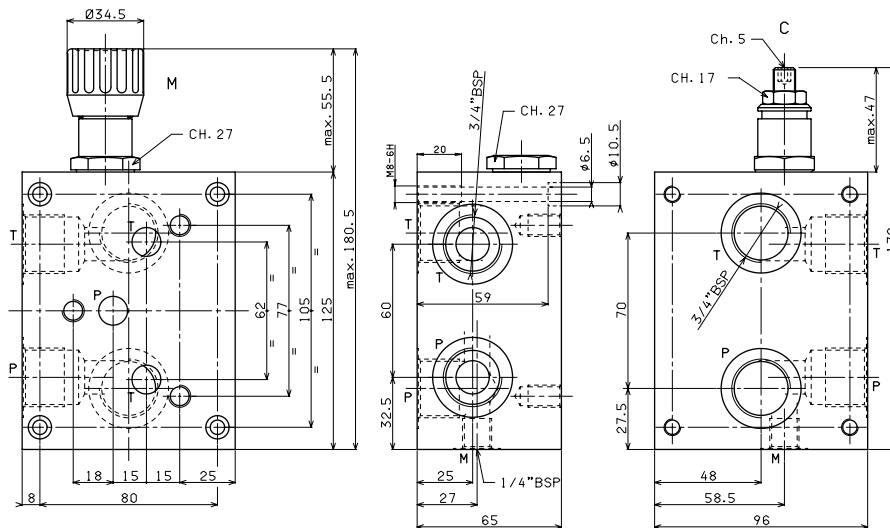
BC.5.36/28 P AND T REAR AND SIDE CONNECTORS 3/4" BSP

BC	Module base
5	CETOP 5/NG10
**	36 = 3/4" BSP (P and T rear and side connectors with pressure relief valve) 28 = 3/4" BSP (P and T rear and side connectors without pressure relief valve)
*	Type adjustment (omit for 28 version) M = Plastic knob C = Grub screw
*	Setting range (omit for 28 version) 1 = max. 50 bar (white spring) 2 = max. 140 bar (yellow spring) 3 = max. 350 bar (green spring)
00	No variant
1	Serial No.



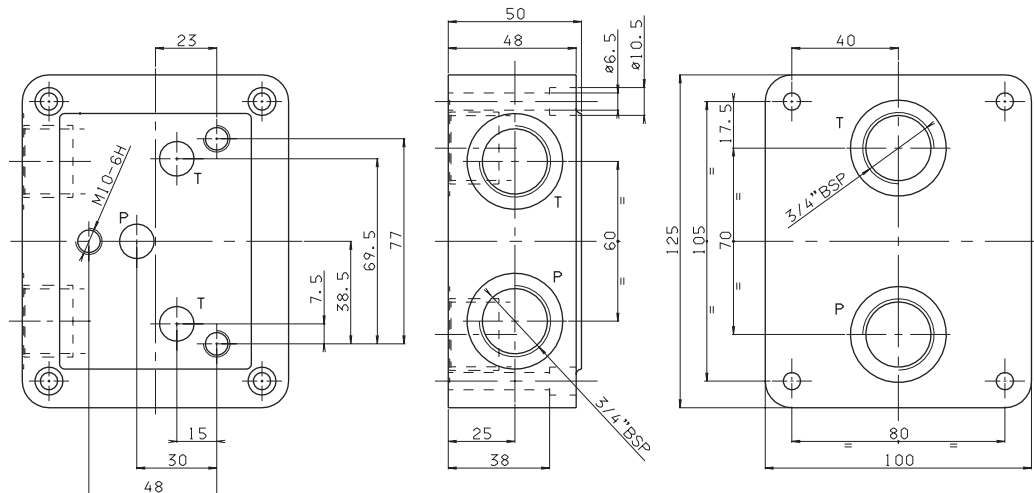
• The minimum permissible setting pressure valve is the same for all spring: see cartridge valve type CMP.30...

BC.5.36 P/T REAR AND SIDE CONNECTORS WITH PRESSURE RELIEF VALVE



Weight: 5,3 Kg
Fixing screws M6x70 UNI 5931

BC.5.28 P/T REAR AND SIDE CONNECTORS WITHOUT PRESSURE RELIEF VALVE



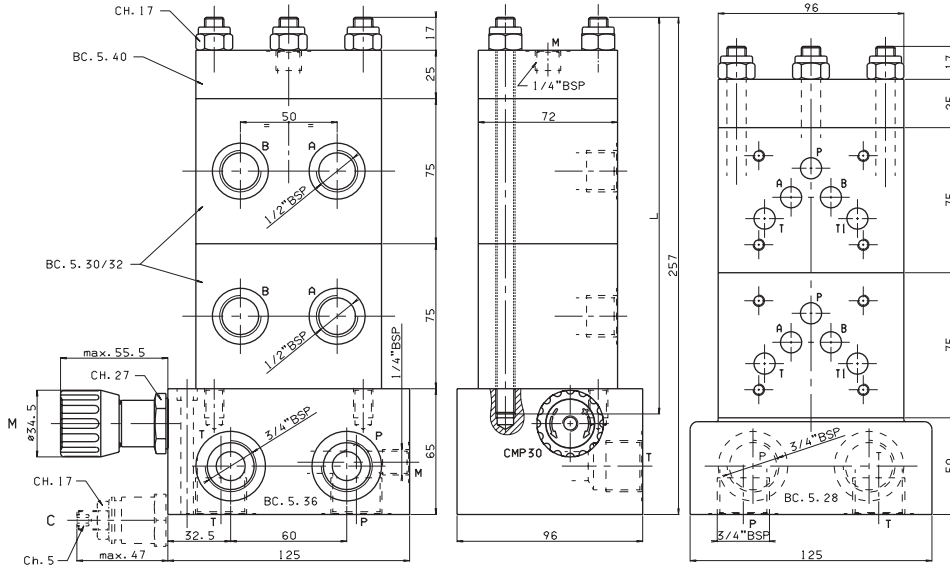
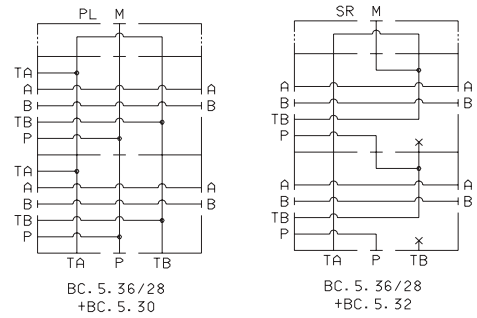
Weight: 3,9 Kg
Fixing screws M6x50 UNI 5931

7

ASSEMBLED BASE MODULES - 3 RODS

Rods code	L	Composition
BC.5.41/2 M80.25.0001	205	BC.5.36/28+ 2 BC.5.30/32 + BC.5.40
BC.5.41/3 M80.25.0002	280	BC.5.36/28+ 3 BC.5.30/32 + BC.5.40
BC.5.41/4 M80.25.0003	355	BC.5.36/28+ 4 BC.5.30/32 + BC.5.40
BC.5.41/5 M80.25.0004	430	BC.5.36/28+ 5 BC.5.30/32 + BC.5.40
BC.5.41/6 M80.25.0005	505	BC.5.36/28+ 6 BC.5.30/32 + BC.5.40
BC.5.41/7 M80.25.0006	580	BC.5.36/28+ 7 BC.5.30/32 + BC.5.40
BC.5.41/8 M80.25.0007	655	BC.5.36/28+ 8 BC.5.30/32 + BC.5.40

Nuts code	Pieces
Q26.56.0545	3

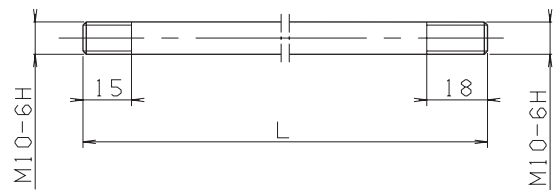


- Single components should be ordered separately (see pages VII•24,26,27)
- The minimum permissible setting pressure is the same for all spring: see cartridge valve type CMP.30...

7

BC.5.41/* RODS FOR MODULAR ASSEMBLIES

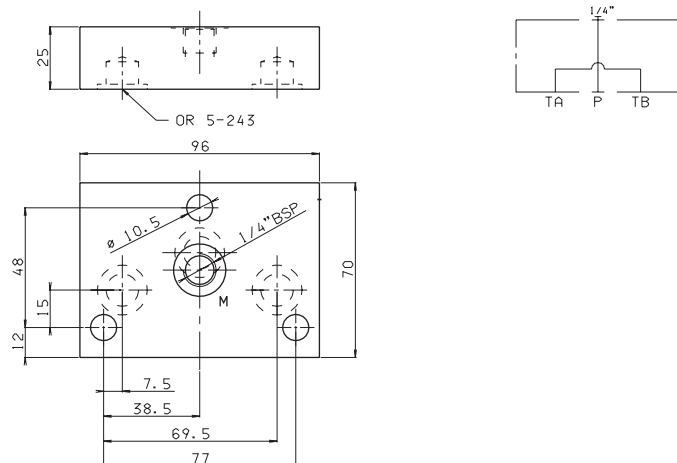
Rods code	Pieces	L	Composition
BC.5.41/2.00.1	3	205	for 2 solenoid valve
BC.5.41/3.00.1	3	280	for 3 solenoid valve
BC.5.41/4.00.1	3	355	for 4 solenoid valve
BC.5.41/5.00.1	3	430	for 5 solenoid valve
BC.5.41/6.00.1	3	505	for 6 solenoid valve
BC.5.41/7.00.1	3	580	for 7 solenoid valve
BC.5.41/8.00.1	3	655	for 8 solenoid valve



BC.5.40...

- BC** Module base
- 5** CETOP 5/NG10 - 3 rods
- 40** Blanking
- 00** No variant
- 1** Serial No.

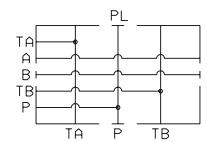
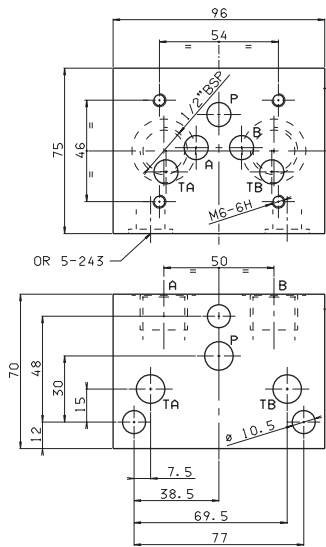
Weight: 1 Kg



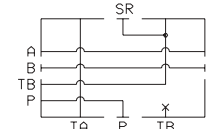
BC.5.30/32

- BC** Module base
- 5** CETOP 5/NG10 - 3 rods
- **** **30** = 1/2" BSP connectors in parallel
31 = 3/4" BSP connectors in parallel
32 = 1/2" BSP connectors in series
- **** **00** = No variant
AI = A and B rear connector
AS = A and B upper connectors
- 1** Serial No.

Weight: 3 Kg



BC.5.30...
BC.5.31...



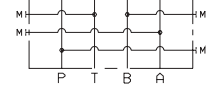
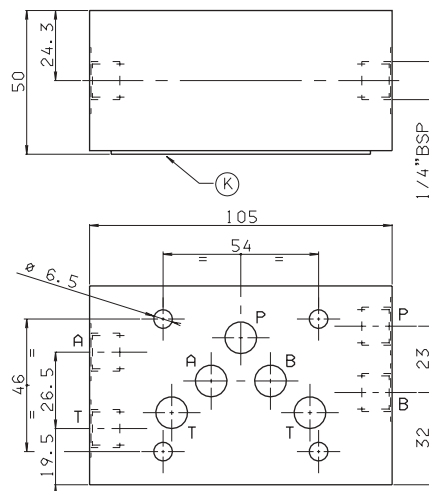
BC.5.32...

BC.5.50 INTERMEDIATE MODULE FOR PRESSURE GAUGE

- BC** Module base
- 5** CETOP 5/NG10
- 50** Intermediate module for pressure gauge connection at ports A/B/P/T
- 00** No variant
- 1** Serial No.

Weight: 2,3 Kg

K = plate OR (Q25.95.0002)



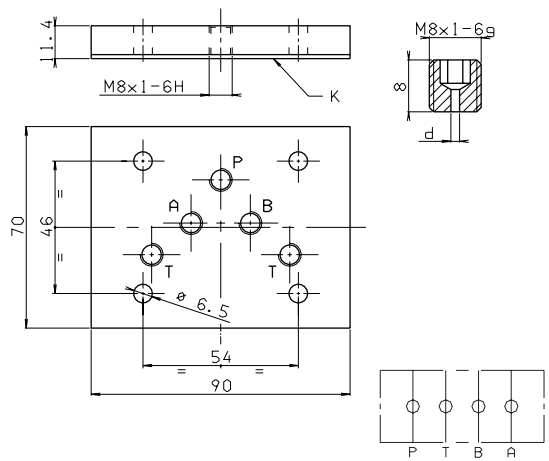
BC.5.51 DOWEL PLATE FOR SOLENOID VALVE

- BC** Module base
- 5** CETOP 5/NG10
- 51** Subplate for solenoid valve
- 00** No variant
- 1** Serial No.

Weight: 0,5 Kg

K = plate OR (Q25.95.0002)

CALIBRATED DIAPHRAGMS AVAILABLE	
d	M8x1x8
0.6	M89.10.0007
0.7	M89.10.0008
0.8	M89.10.0009
0.9	M89.10.0012
1	M89.10.0010
1.2	M89.10.0011
1.4	M89.10.0038
1.5	M89.10.0035
1.75	M89.10.0042
2	M89.10.0041
2.5	M89.10.0036

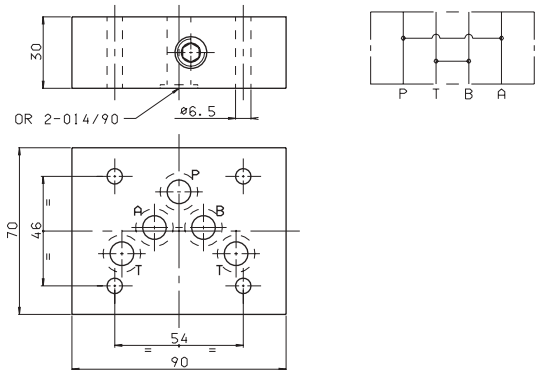


7

BC.5.07 BASE FOR DOUBLE FLOW RATE P→A E B→T

- BC** Module base
- 5** CETOP 5/NG10
- 07** Base for double flow rate
- 00** No variant
- 1** Serial No.

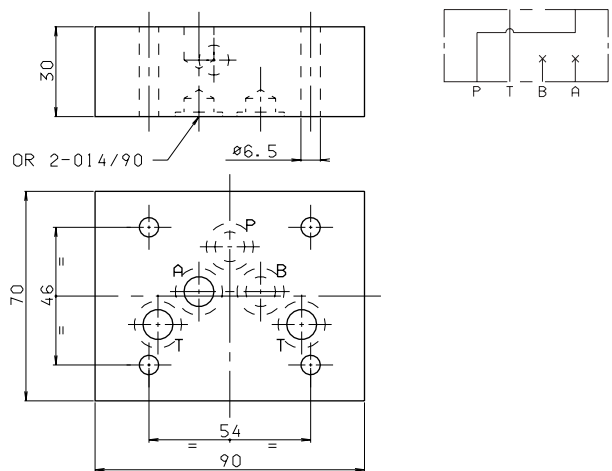
Weight: 1,2 Kg



BC.5.107 BASE FOR USE WITH 2 WAY VALVE

- BC** Module base
- 5** CETOP 5/NG10
- 107** Base for use with 2 way valve
- 00** No variant
- 1** Serial No.

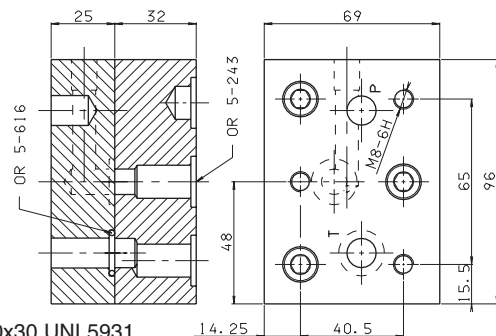
Weight: 1,2 Kg



BC.5.3A REDUCTION BASE FROM BC.5... TO BC.3...

- BC** Module base
- 5** CETOP 5/NG10 - 3 rods
- 3A** CETOP 3/NG6 - 3 rods
- 00** No variant
- 1** Serial No.

Weight: 2,4 Kg - Fixing screws M10x30 UNI 5931



BC.10.06 REDUCTION BASE FROM BC.5... TO BC.06...

- BC** Module base
- 10** CETOP 5/NG10 - 3 rods
- 06** CETOP 3/NG6 - 2 rods
- 00** No variant
- 1** Serial No.

Weight: 1,3 Kg - Fixing screws M10x30 UNI 5931

