

This valve mounting block is provided with 1/4" e 3/8" BSP, with and without emergency, connection ports, mainly for in-line mounting. It allows fitting of all cartridge valves with 3/4" 16UNF-2B connections only with type A Ø 12.7 mm diameter seat.

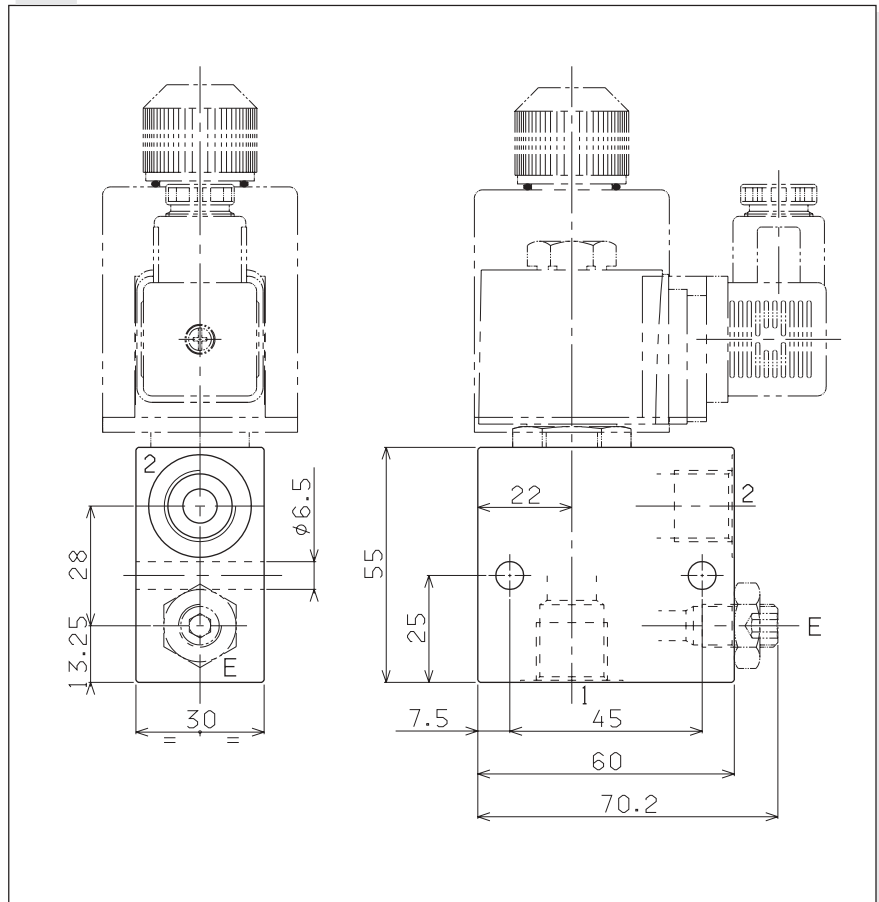
• Max. operating pressure = 210 bar

ORDERING CODE

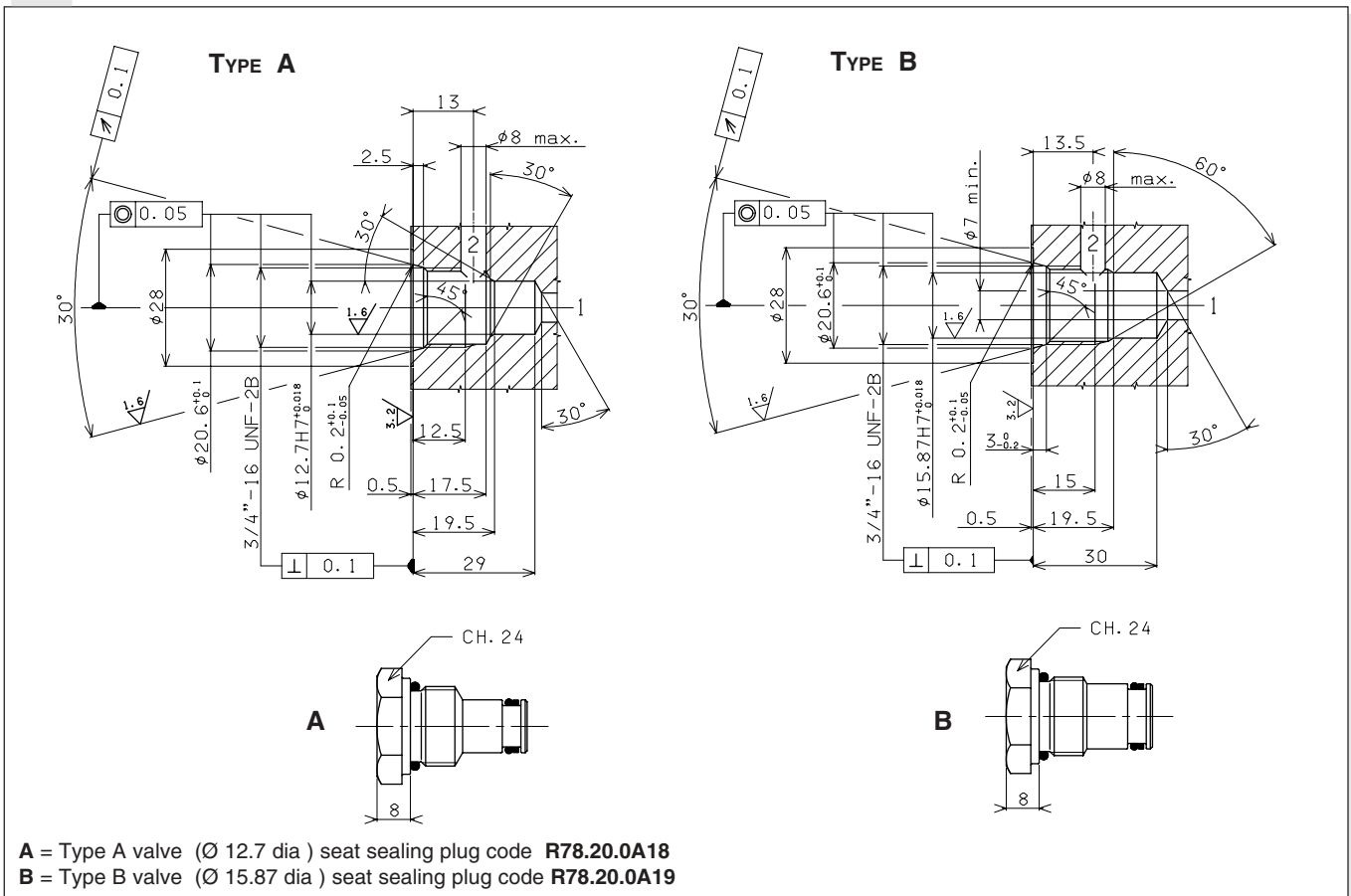
CVC	Cartridge valve casing with seat type A (Ø 12,7mm dia)
*	Attachment size 2 = 1/4" BSP 3 = 3/8" BSP
*	S = Without emergency on block E = With emergency on block
00	No variant
1	Serial No.

Weight: 0,25 Kg

OVERALL DIMENSIONS



SEAT DIMENSIONS AND SEAT SEALING PLUGS



A = Type A valve (Ø 12.7 dia) seat sealing plug code R78.20.0A18
 B = Type B valve (Ø 15.87 dia) seat sealing plug code R78.20.0A19