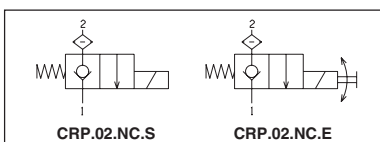


CRP.02.NC... PILOTED CARTRIDGE SOLENOID VALVES



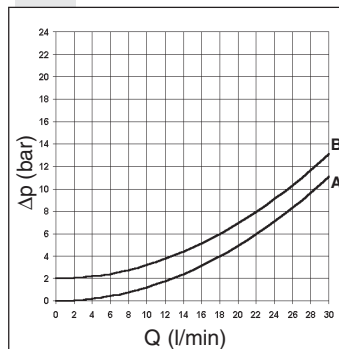
CRP.02.NC...

CVC...	CH. V PAGE 37
"22 W" DC COILS	CH. V PAGE 35
STANDARD CONNECTORS	CH. I PAGE 19



Max. pressure	300 bar
Max. flow	30 l/min
Max. excitation frequency	2 Hz
Duty cycle	100% ED
Hydraulic fluids	Mineral oils DIN 51524
Fluid viscosity	10 ÷ 500 mm ² /s
Fluid temperature	-25°C ÷ 75°C
Ambient temperature	-25°C ÷ 60°C
Max. contamination level	class 10 in accordance with NAS 1638 with filter β ₂₅ ≥ 75
Cartridge filter	250 μm
Type of protection (in relation to the connector used)	IP65
Weight (with coil)	0,35 Kg
Cartridge tightening torque	25 ÷ 30 Nm (2.5 ÷ 3 Kgm)
Coil ring nut tightening torque	7 Nm (0.7 Kgm)

PRESSURE DROPS

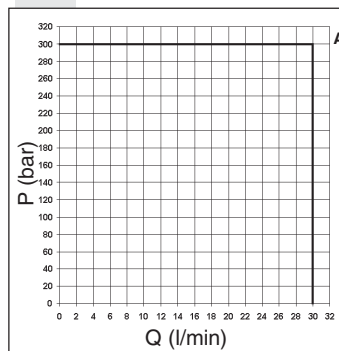


The 1 → 2 flow is possible only with the solenoid de-energized

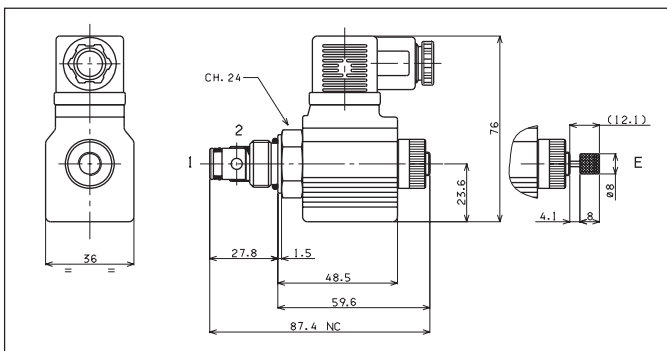
The tests were carried out with the solenoids at operating temperature, with a supply voltage 10% below nominal value and with a 40°C fluid temperature. The fluid used is a mineral oil with a viscosity of 46 mm²/s at 40°C.

Flux	CRP.02.NC
2 → 1	curve A
1 → 2	curve B

LIMITS OF USE



5

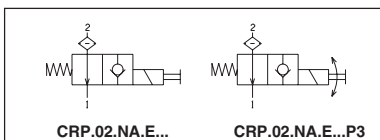


CRP.02.NA... PILOTED CARTRIDGE SOLENOID VALVES



CRP.02.NA...

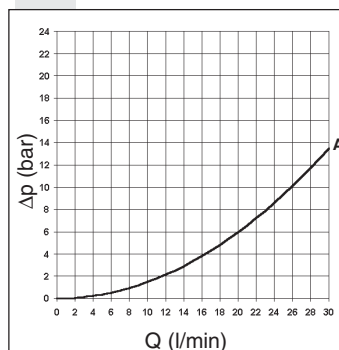
CVC...	CH. V PAGE 37
"22 W" DC COILS	CH. V PAGE 35
STANDARD CONNECTORS	CH. I PAGE 19



Max. pressure	300 bar
Max. flow	30 l/min
Max. excitation frequency	2 Hz
Duty cycle	100% ED
Hydraulic fluids	Mineral oils DIN 51524
Fluid viscosity	10 ÷ 500 mm ² /s
Fluid temperature	-25°C ÷ 75°C
ambient temperature	-25°C ÷ 60°C
Max. contamination level	class 10 in accordance with NAS 1638 with filter β ₂₅ ≥ 75
Cartridge filter	250 μm
Type of protection (in relation to the connector used)	IP65
Weight (with coil)	0,35 Kg
Weight (with emergency)	0,35 Kg
Cartridge tightening torque	25 ÷ 30 Nm (2.5 ÷ 3 Kgm)
Coil ring nut tightening torque	7 Nm (0.7 Kgm)

(* Pressure dynamic allowed for 200.000 of cycles

PRESSURE DROPS



The 1 → 2 flow is not possible with this kind of valve

The tests were carried out with the solenoids at operating temperature, with a supply voltage 10% below nominal value and with a 40°C fluid temperature. The fluid used is a mineral oil with a viscosity of 46 mm²/s at 40°C.

Flux	CRP.02.NC
2 → 1	curve A
1 → 2	/

LIMITS OF USE

