

CONNECTORS DIRECTIONAL CONTROL VALVES IN ACCORDANCE WITH DIN 43650/ISO4400



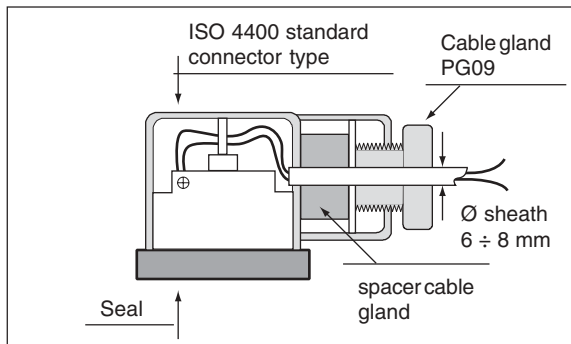
1



CONNECTOR	VOLTAGE <small>*SPECIAL VOLTAGE</small>	ORDERING CODE	CODE (VARIANTS)
STANDARD (IP65)			
Grey (side A)		V86.05.0004	No variant
Black (side B)		V86.05.0002	
TYPE WITH CABLE GLAND PG 11			
Grey (side A)		V86.05.0008	C1
Black (side B)		V86.05.0006	
LENS COVER WITH PILOT LIGHT			
(sides A and B)	12 VAC/VDC	V86.10.0018	X1
	24 VAC/VDC	V86.10.0012	
	115 VAC/VDC	V86.10.0020	
	230 VAC/VDC	V86.10.0022	
WITH RECTIFIER			
Grey (side A)		V86.20.0004	R1
Black (side B)		V86.20.0002	
Inlet voltage: 12÷220VAC Rectified voltage: 9÷200VDC			
LENS COVER WITH PILOT LIGHT AND RECTIFIER			
(sides A and B)	12 VAC	V86.25.0018	XR
	24 VAC	V86.25.0019	
	48 VAC*	V86.25.0020	
	115 VAC*	V86.25.0021	
	230 VAC*	V86.25.0022	
TYPE OF PROTECTION			
IP67			
Grey (side A)		V86.28.0002	CN
Black (side B)		V86.28.0001	

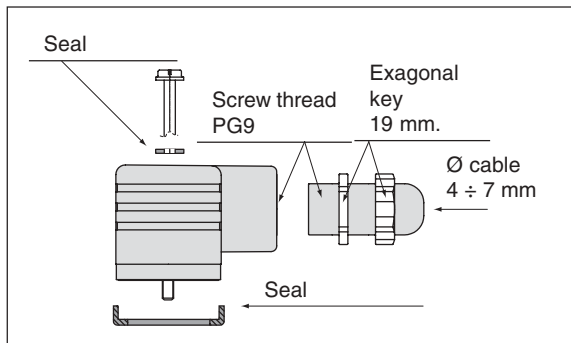
- Screw tightening torque: 60Ncm.
- **Note: the screw has to enter less than 4 mm into the threaded section of the coil.**
- It is suggest the use of the CN connector type (IP67) with the variant BR coil, which made in plastic material.

ELECTRICAL FEATURES OF CONNECTORS



CONNECTORS IP 65 (STANDARD)

AC rated voltage	Max. 250 V
DC rated voltage	Max. 300 V
Pin contact rated flow	10A
Pin contact max. flow	16A
Max. section cable	1,5 mm ²
Ø Cable gland PG09 - M16x1,5	6 ÷ 8 mm
Type of protection	IP65 EN60529
Insulation class	VDE 0110-1/89
Operating temperature	-40°C ÷ 90°C



CONNECTORS IP67 (CN VARIANT)

AC rated voltage	Max. 250 V
DC rated voltage	Max. 300 V
Pin contact rated flow	10A
Pin contact max. flow	16A
Max. section cable	1,5 mm ²
Ø Cable gland PG09 - M16x1,5	4 ÷ 7 mm
Type of protection	IP67 EN60529
Insulation class	VDE 0110-1/89
Operating temperature	-20°C ÷ 80°C

The degrees of protection indicate is guaranteed only if the connectors were properly mounted with his original seals.