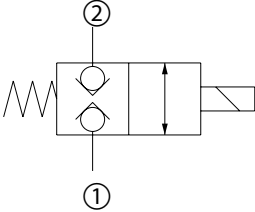
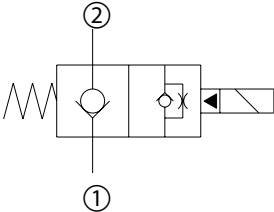
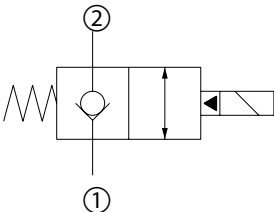
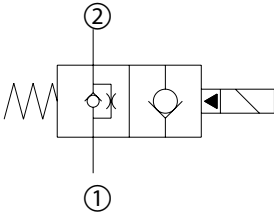


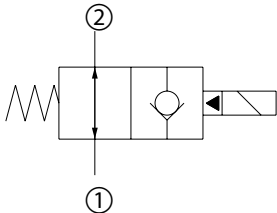
Symbol	Model No.	Cavity	Description	Flow*	Pressure	Page
	SVP08-CDB	SDC08-2	2w 2p poppet, bi-directional, normally closed	16 l/min [4 US gal/min]	230 bar [3300 psi]	10.17
	EVK 06/C5	NCS06/2		25 l/min [7 US gal/min]	210 bar [3000 psi]	10.18

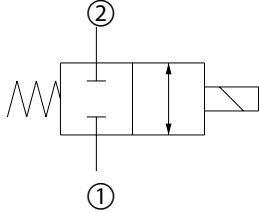
Symbol	Model No.	Cavity	Description	Flow*	Pressure	Page
	SVP08-NC	SDC08-2	2w 2p poppet, normally closed	35 l/min [9 US gal/min]	230 bar [3300 psi]	10.19
	SVP10-NC	SDC10-2		80 l/min [21 US gal/min]	230 bar [3300 psi]	10.20
	CP501-1	CP12-2		115 l/min [30 US gal/min]	210 bar [3000 psi]	10.21

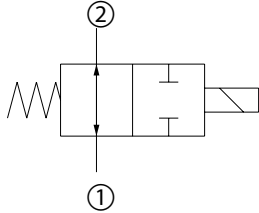
Symbol	Model No.	Cavity	Description	Flow*	Pressure	Page
	SVP08-NCR	SDC08-2	2w 2p poppet, normally closed, with free reverse flow	35 l/min [9 US gal/min]	230 bar [3300 psi]	10.22
	SVP10-NCR	SDC10-2		80 l/min [21 US gal/min]	230 bar [3300 psi]	10.23
	CP501-3	CP12-2		115 l/min [30 US gal/min]	210 bar [3000 psi]	10.24
	CP502-3	SDC16-2		130 l/min [34 US gal/min]	210 bar [3000 psi]	10.25
	CP503-3	SDC20-2		230 l/min [61 US gal/min]	210 bar [3000 psi]	10.26

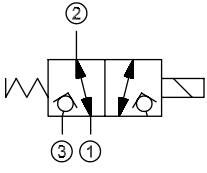
Symbol	Model No.	Cavity	Description	Flow*	Pressure	Page
	SVP08-NO	SDC08-2	2w 2p poppet, normally open	35 l/min [9 US gal/min]	230 bar [3300 psi]	10.27
	SVP10-NO	SDC10-2		80 l/min [21 US gal/min]	230 bar [3300 psi]	10.28
	CP501-2	CP12-2		115 l/min [30 US gal/min]	210 bar [3000 psi]	10.29

* Flow ratings are based on a pressure drop of 7 bar [100 psi] unless otherwise noted. They are for comparison purposes only.

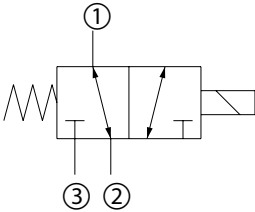
Symbol	Model No.	Cavity	Description	Flow*	Pressure	Page
	SVP08-NOR	SDC08-2	2w 2p poppet, normally open, with free reverse flow	35 l/min [9 US gal/min]	230 bar [3300 psi]	10.30
	SVP10-NOR	SDC10-2		80 l/min [21 US gal/min]	230 bar [3300 psi]	10.31
	CP501-4	CP12-2		115 l/min [30 US gal/min]	210 bar [3000 psi]	10.32
	CP502-4	SDC16-2		130 l/min [34 US gal/min]	210 bar [3000 psi]	10.33
	CP503-4	SDC20-2		230 l/min [61 US gal/min]	210 bar [3000 psi]	10.34

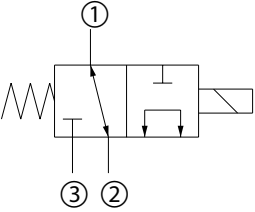
Symbol	Model No.	Cavity	Description	Flow*	Pressure	Page
	SV08-22-02	SDC08-2	2w 2p spool (normally closed)	14 l/min [4 US gal/min]	230 bar [3300 psi]	10.35
	EDH 12/NC	NCS12/2		30 l/min [8 US gal/min]	210 bar [3000 psi]	10.36
	SV10-22-02	SDC10-2		35 l/min [9 US gal/min]	230 bar [3300 psi]	10.37

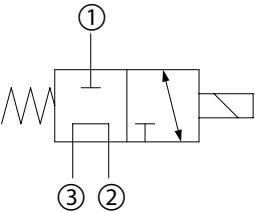
Symbol	Model No.	Cavity	Description	Flow*	Pressure	Page
	SV08-22-01	SDC08-2	2w 2p spool (normally open)	16 l/min [4 US gal/min]	230 bar [3300 psi]	10.38
	SV10-22-01	SDC10-2		27 l/min [7 US gal/min]	230 bar [3300 psi]	10.39
	EDH 12/NA	NCS12/2		30 l/min [8 US gal/min]	210 bar [3000 psi]	10.40

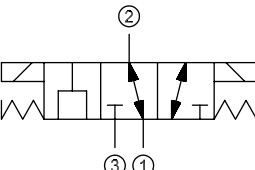
Symbol	Model No.	Cavity	Description	Flow*	Pressure	Page
	EVH 06/D5	NCS06/3	3w 2p poppet	20 l/min [5 US gal/min]	230 bar [3300 psi]	10.41

* Flow ratings are based on a pressure drop of 7 bar [100 psi] unless otherwise noted. They are for comparison purposes only.

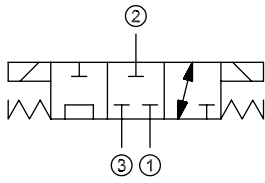
Symbol	Model No.	Cavity	Description	Flow*	Pressure	Page
	CP527-2	CP07-3	3w 2p spool	7 l/min [2 US gal/min]	100 bar [1500 psi]	10.42
	SV08-23-02	SDC08-3		10 l/min [3 US gal/min]	230 bar [3300 psi]	10.43
	SV10-23-02	SDC10-3		15 l/min [4 US gal/min]	230 bar [3300 psi]	10.44
	SV08-23-01	SDC08-3		17 l/min [5 US gal/min]	230 bar [3300 psi]	10.45
	SV10-23-01	SDC10-3		28 l/min [7 US gal/min]	230 bar [3300 psi]	10.46
	EDH 12/3204	NCS12/3		50 l/min [13 US gal/min]	210 bar [3000 psi]	10.47
	CP521-21	CP12-3		60 l/min [16 US gal/min]	240 bar [3500 psi]	10.48

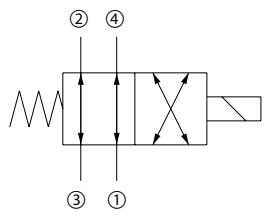
Symbol	Model No.	Cavity	Description	Flow*	Pressure	Page
	SV08-23-03	SDC08-3	3w 2p spool	18 l/min [5 US gal/min]	230 bar [3300 psi]	10.49

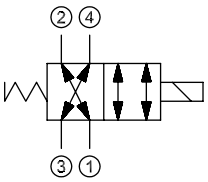
Symbol	Model No.	Cavity	Description	Flow*	Pressure	Page
	SV08-23-04	SDC08-3	3w 2p spool	10 l/min [3 US gal/min]	230 bar [3300 psi]	10.50
	SV10-23-04	SDC10-3		20 l/min [5 US gal/min]	230 bar [3300 psi]	10.51
	EDH 12/3201	NCS12/3		50 l/min [13 US gal/min]	210 bar [3000 psi]	10.52

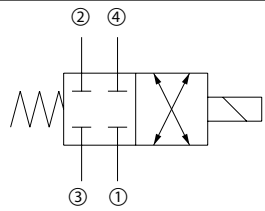
Symbol	Model No.	Cavity	Description	Flow*	Pressure	Page
	EDH 12/3302	NCS12/3	3w 3p spool	40 l/min [11 US gal/min]	210 bar [3000 psi]	10.53

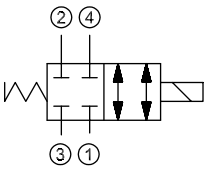
* Flow ratings are based on a pressure drop of 7 bar [100 psi] unless otherwise noted. They are for comparison purposes only.

Symbol	Model No.	Cavity	Description	Flow*	Pressure	Page
	EDH 12/3303	NCS12/3	3w 3p spool	50 l/min [13 US gal/min]	210 bar [3000 psi]	10.54

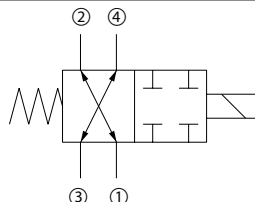
Symbol	Model No.	Cavity	Description	Flow*	Pressure	Page
	SV08-24-01	SDC08-4	4w 2p spool (reversing)	8 l/min [2 US gal/min]	230 bar [3300 psi]	10.55
	SV10-24-01	SDC10-4		15 l/min [4 US gal/min]	230 bar [3300 psi]	10.56
	EDH 12/4205	NCS12/4		55 l/min [15 US gal/min]	210 bar [3000 psi]	10.57

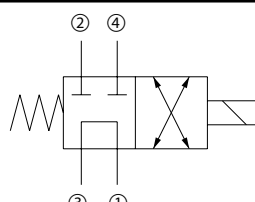
Symbol	Model No.	Cavity	Description	Flow*	Pressure	Page
	CP531-21	CP12-4	4w 2p spool (reversing)	32 l/min [8 US gal/min]	240 bar [3500 psi]	10.58

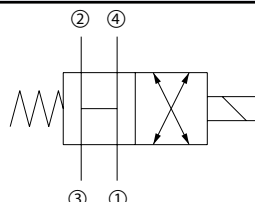
Symbol	Model No.	Cavity	Description	Flow*	Pressure	Page
	SV08-24-02	SDC08-4	4w 2p spool (normally closed)	10 l/min [3 US gal/min]	230 bar [3300 psi]	10.59
	EDH 12/4206	NCS12/4		60 l/min [16 US gal/min]	210 bar [3000 psi]	10.60

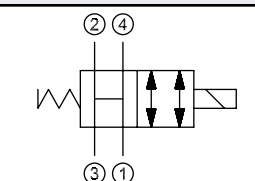
Symbol	Model No.	Cavity	Description	Flow*	Pressure	Page
	SV10-24-07	SDC10-4	4w 2p spool (normally closed)	24 l/min [6 US gal/min]	230 bar [3300 psi]	10.61
	EDH 12/4214	NCS12/4		60 l/min [16 US gal/min]	210 bar [3000 psi]	10.62

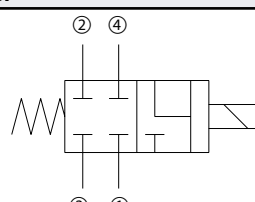
* Flow ratings are based on a pressure drop of 7 bar [100 psi] unless otherwise noted. They are for comparison purposes only.

Symbol	Model No.	Cavity	Description	Flow*	Pressure	Page
	SV10-24-05	SDC10-4	4w 2p spool (normally open)	25 l/min [7 US gal/min]	230 bar [3300 psi]	10.63
	EDH 12/4212	NCS12/4		55 l/min [15 US gal/min]	210 bar [3000 psi]	10.64

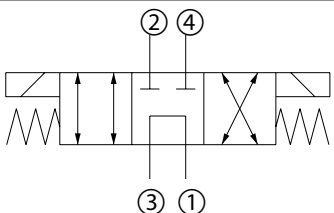
Symbol	Model No.	Cavity	Description	Flow*	Pressure	Page
	SV08-24-04	SDC08-4	4w 2p spool (3 to 1 common)	8 l/min [2 US gal/min]	230 bar [3300 psi]	10.65
	SV10-24-12	SDC10-4		18 l/min [5 US gal/min]	230 bar [3300 psi]	10.66
	EDH 12/4208	NCS12/4		50 l/min [13 US gal/min]	210 bar [3000 psi]	10.67

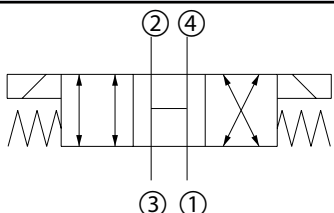
Symbol	Model No.	Cavity	Description	Flow*	Pressure	Page
	SV08-24-03	SDC08-4	4w 2p spool (normally common)	8 l/min [2 US gal/min]	230 bar [3300 psi]	10.68
	EDH 12/4207	NCS12/4		50 l/min [13 US gal/min]	210 bar [3000 psi]	10.69

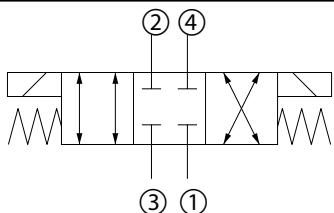
Symbol	Model No.	Cavity	Description	Flow*	Pressure	Page
	SV10-24-13	SDC10-4	4w 2p spool (normally common)	21 l/min [6 US gal/min]	230 bar [3300 psi]	10.70

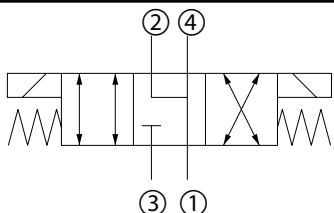
Symbol	Model No.	Cavity	Description	Flow*	Pressure	Page
	SV08-24-06	SDC08-4	4w 2p spool	11 l/min [3 US gal/min]	230 bar [3300 psi]	10.71
	SV10-24-06	SDC10-4		24 l/min [6 US gal/min]	230 bar [3300 psi]	10.72

* Flow ratings are based on a pressure drop of 7 bar [100 psi] unless otherwise noted. They are for comparison purposes only.

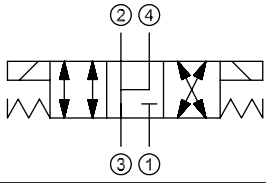
Symbol	Model No.	Cavity	Description	Flow*	Pressure	Page
	SV08-34-04	SDC08-4	4w 3p spool (tandem)	6 l/min [2 US gal/min]	230 bar [3300 psi]	10.73
	SV10-34-04	SDC10-4		15 l/min [4 US gal/min]	230 bar [3300 psi]	10.74
	EDH 12/4308	NCS12/4		50 l/min [13 US gal/min]	210 bar [3000 psi]	10.75

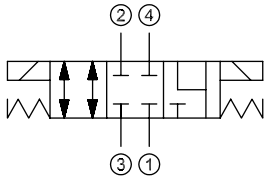
Symbol	Model No.	Cavity	Description	Flow*	Pressure	Page
	SV08-34-03	SDC08-4	4w 3p spool (normally open)	8 l/min [2 US gal/min]	230 bar [3300 psi]	10.76
	SV10-34-03	SDC10-4		16 l/min [4 US gal/min]	230 bar [3300 psi]	10.77
	EDH 12/4307	NCS12/4		50 l/min [13 US gal/min]	210 bar [3000 psi]	10.78

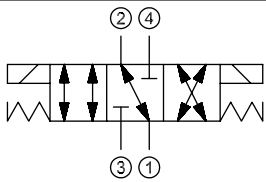
Symbol	Model No.	Cavity	Description	Flow*	Pressure	Page
	SV08-34-02	SDC08-4	4w 3p spool (normally closed)	10 l/min [3 US gal/min]	230 bar [3300 psi]	10.79
	SV10-34-02	SDC10-4		20 l/min [5 US gal/min]	230 bar [3300 psi]	10.80
	EDH 12/4306	NCS12/4		55 l/min [15 US gal/min]	210 bar [3000 psi]	10.81

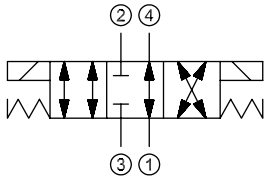
Symbol	Model No.	Cavity	Description	Flow*	Pressure	Page
	SV08-34-05	SDC08-4	4w 3p spool (motor)	10 l/min [3 US gal/min]	230 bar [3300 psi]	10.82
	SV10-34-05	SDC10-4		20 l/min [5 US gal/min]	230 bar [3300 psi]	10.83
	EDH 12/4309	NCS12/4		55 l/min [15 US gal/min]	210 bar [3000 psi]	10.84

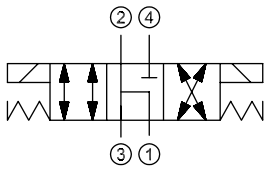
* Flow ratings are based on a pressure drop of 7 bar [100 psi] unless otherwise noted. They are for comparison purposes only.

Symbol	Model No.	Cavity	Description	Flow*	Pressure	Page
	SV10-34-09	SDC10-4	4w 3p spool (regenerative)	20 l/min [5 US gal/min]	230 bar [3300 psi]	10.85

Symbol	Model No.	Cavity	Description	Flow*	Pressure	Page
	SV10-34-06	SDC10-4	4w 3p spool	24 l/min [6 US gal/min]	230 bar [3300 psi]	10.86

Symbol	Model No.	Cavity	Description	Flow*	Pressure	Page
	SV10-34-10	SDC10-4	4w 3p spool	24 l/min [6 US gal/min]	230 bar [3300 psi]	10.87

Symbol	Model No.	Cavity	Description	Flow*	Pressure	Page
	SV10-34-11	SDC10-4	4w 3p spool	24 l/min [6 US gal/min]	230 bar [3300 psi]	10.88

Symbol	Model No.	Cavity	Description	Flow*	Pressure	Page
	SV10-34-08	SDC10-4	4w 3p spool	21 l/min [6 US gal/min]	230 bar [3300 psi]	10.89

* Flow ratings are based on a pressure drop of 7 bar [100 psi] unless otherwise noted. They are for comparison purposes only.



Cartridge Valves Technical Information
 Solenoid valves
 Quick reference



Symbol	Model No.	Cavity	Description	Flow*	Pressure	Page
	SV10-34-07	SDC10-4	4w 3p spool	20 l/min [5 US gal/min]	230 bar [3300 psi]	10.90
	EDH 12/4310	NCS12/4		40 l/min [11 US gal/min]	210 bar [3000 psi]	10.91

* Flow ratings are based on a pressure drop of 7 bar [100 psi] unless otherwise noted. They are for comparison purposes only.

SOLENOID VALVES

Solenoid valves are electrically-operated, on-off poppet or spool-type valves for load holding, blocking, or directional control applications.

Solenoid valves



P103 227

PLUS+1™ COMPLIANT

Sauer-Danfoss solenoid valves are PLUS+1™ compliant. PLUS+1 compliance means our valves are directly compatible with the PLUS+1 machine control architecture. Adding solenoid valves to your application using PLUS+1 GUIDE software is as easy as *drag-and-drop*. Software development that used to take months can now be done in just a few hours. For more information on PLUS+1 GUIDE, visit www.sauer-danfoss.com/plus1. The table below details available GUIDE function blocks for controlling Sauer-Danfoss solenoid valves.

GUIDE function blocks

On-off	10106088
On-off-on	10106102

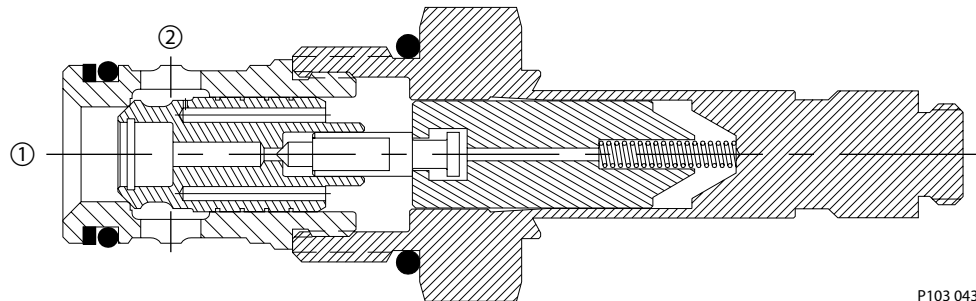
POPPET-TYPE SOLENOID VALVES

Poppet-type solenoid valves are two-way, normally open or normally-closed valves.

Normally-closed

Normally-closed poppet valves block flow from ② to ① when de-energized. When the solenoid coil is energized, magnetic force lifts the small pilot dart from its seat, creating a pressure differential across the main poppet that provides the force to lift the main poppet off its seat. Models with free-reverse-flow also act as a low-pressure, free-flow check valve from ① to ② when energized; standard models provide an orifice-connection to ② when pressure is applied at ①.

Normally closed poppet-type solenoid valve

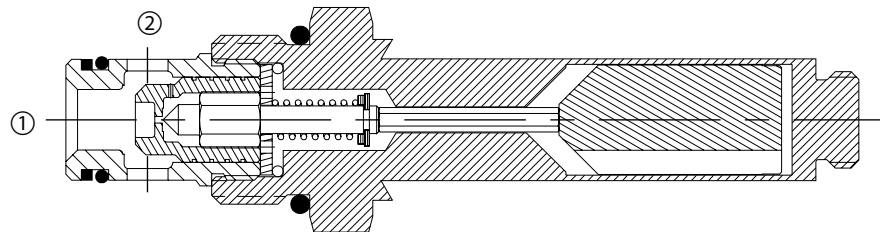


P103 043

Normally-open

Normally-open poppet valves provide free flow from ② to ① when de-energized. When the solenoid coil is energized, magnetic force seats the small pilot dart, creating a pressure differential that provides the force to seat the main poppet and block flow. Models with free-reverse flow also act as a low-pressure, free-flow check valve from ① to ② when de-energized; standard models provide an orifice-connection to ② when pressure is applied at ①.

Normally open poppet-type solenoid valve



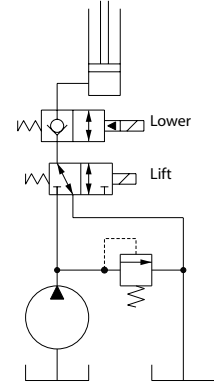
P103 044

POPPET-TYPE SOLENOID VALVES (continued)

Applications
 Common applications for normally-open and normally-closed poppet valves include:

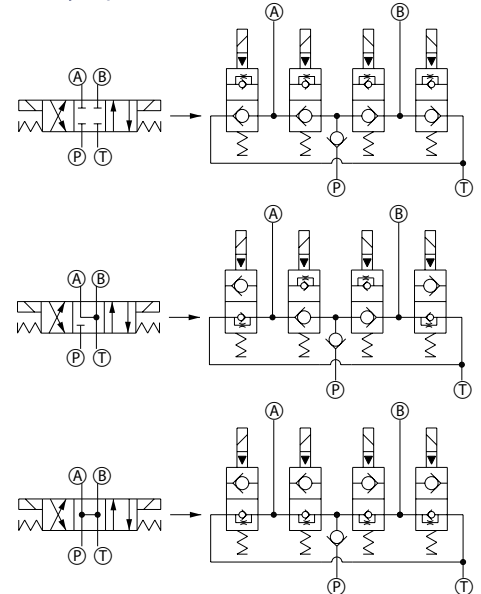
- Load holding and lowering with single-acting cylinders.
- Unloading of a fixed-displacement pump.
- Use in combination to duplicate four-way, three-position valve functions. These circuits create low-cost, compact alternatives to subplate- or stack-type directional control valves. As an added advantage these poppet valve circuits do not need load holding checks as the poppets provide the same low-leakage function.

Lift, hold, & lower single acting cylinder



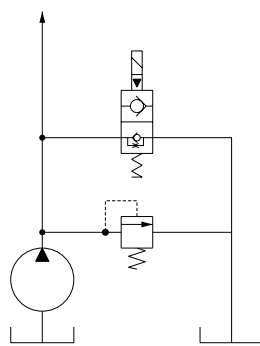
P103 102E

4-way 3-position directional valve circuits



P103 104

Pump unloading
 To system



P103 103E

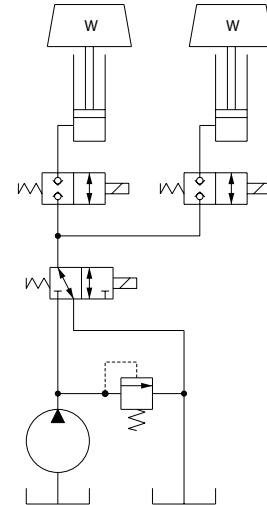
**BI-DIRECTIONAL
POPPET-TYPE SOLENOID
VALVES**

Bi-directional poppet-type solenoid valves are two-way, normally open or normally-closed valves. The poppets are pressure-balanced so that the spring holds the poppet in its de-energized position. When the solenoid coil is energized, magnetic force overcomes the spring and causes the poppet to shift.

Normally-closed

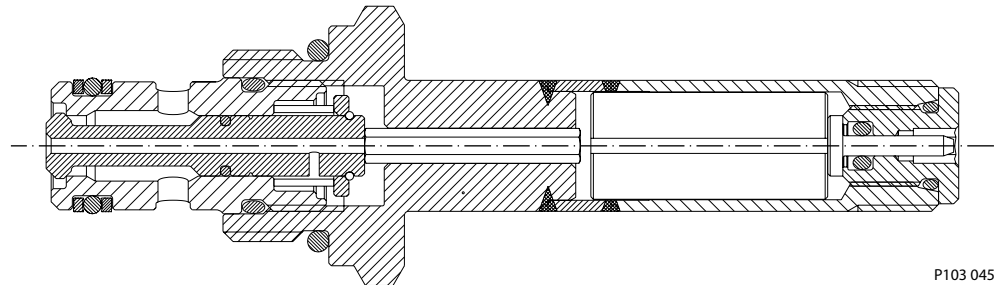
Normally-closed bi-directional poppet valves block flow in both directions when de-energized and allow free-flow when energized. These valves are typically used as directional controls for single-acting cylinders or uni-directional motors where low-leakage load holding is required, or where multiple functions must be separated.

Independent cylinder operation and load-holding



P103 105

Normally closed bi-directional poppet-type solenoid valve



P103 045

**SPOOL-TYPE SOLENOID
VALVES**

Spool-type valves are available in 2-way 2-position, 3-way 2-position, 4-way 2-position, and 4-way 3 position configurations. For all these valves the spools are pressure-balanced and are held in position by a spring when de-energized. When the solenoid coil is energized, magnetic force overcomes the spring and shifts the spool. As the spool moves, flow forces, also known as Bernoulli forces, act on the spool and can prevent proper operation. These forces are a function of pressure and flow, and the catalog ratings show the operating limits for each valve. These limits are based on the valve's ability to shift at 85% of nominal voltage at 140°F ambient temperature. For this reason flow and pressure ratings for solenoid spool valves should not be exceeded.

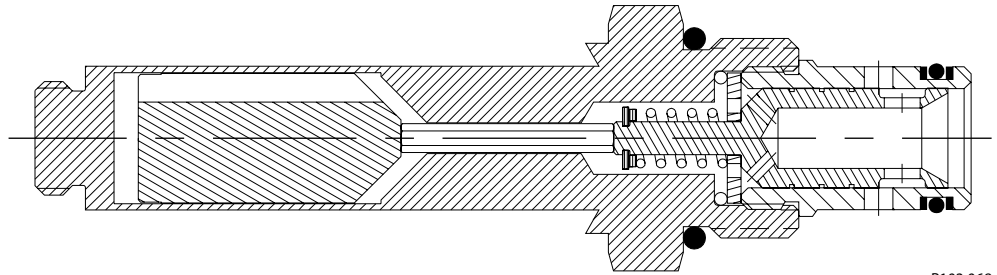
Consult your Sauer-Danfoss representative for extreme applications.

SPOOL-TYPE SOLENOID VALVES (continued)

Two-way, two-position

Two-way, two-position spool-type valves are either normally open or normally closed.

Two-way, two-position spool-type solenoid valve

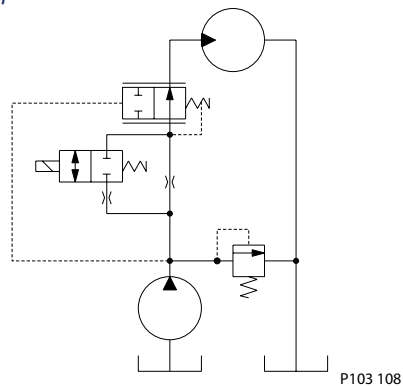


P103 068

Common applications for two-way, two-position spool type solenoid valves are:

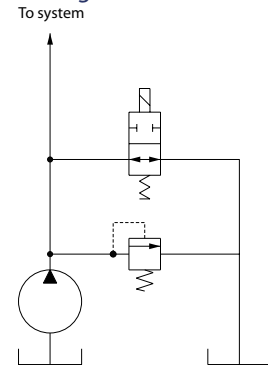
- Unloading of a fixed-displacement pump.
- Cylinder regeneration. When the two-way two-position spool valve is energized the cylinder circuit is in regeneration mode for faster cylinder extension.
- Two-speed motor (or cylinder) operation. By using multiple valves and circuit logic, similar circuits can be used for three-speed, four-speed, etc.

Two-speed motor circuit



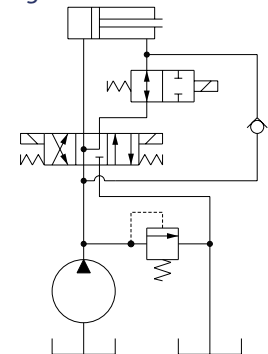
P103 108

Pump unloading



P103 106E

Cylinder regeneration circuit



Energize 2-way spool valve for faster extension P103 107

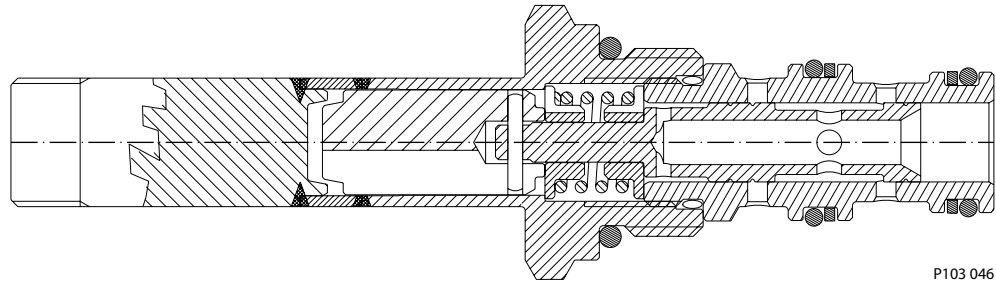
SPOOL-TYPE SOLENOID VALVES
(continued)

Three-way, two-position

Three-way, two-position spool-type valves are available with a variety of porting and flow paths.

Common applications for three-way, two-position spool type solenoid valves:

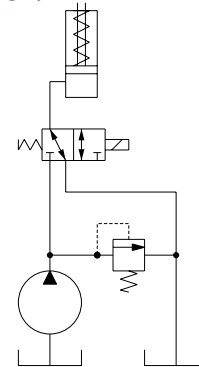
Three-way, two-position spool-type solenoid valves



P103 046

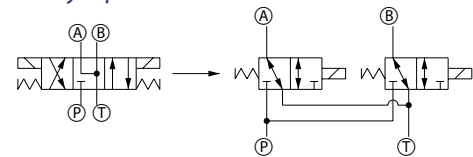
- Control of a single-acting cylinder, clutch, or brake.
- Circuit selector
- Pilot control for a large directional spool.
- Use in combination to duplicate four-way, three-position valve functions, creating low-cost, compact alternatives to subplate- or stack-type directional control valves.

Single acting cylinder, clutch, or brake



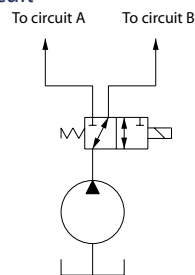
P103 109

4-way 3-position directional valve circuits



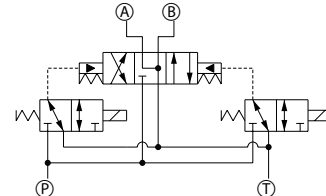
P103 112

Selector circuit



P103 110E

Pilot for directional valve



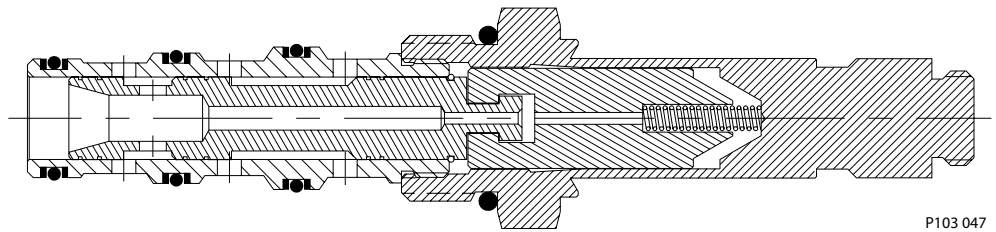
P103 111

SPOOL-TYPE SOLENOID VALVES
 (continued)

Four-way, two-position

Four-way, two-position spool-type valves are available with normally-open, normally-closed, reversing, and single-acting spool options.

Four-way, two-position spool-type solenoid valves

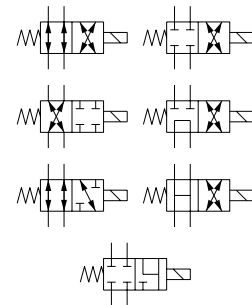


P103 047

Common applications for four-way, two-position spool type solenoid valves are:

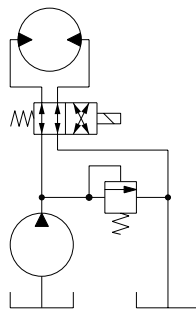
- Directional control for motors or cylinders.
- Use in combination to duplicate four-way, three-position valve functions, creating low-cost, compact alternatives to subplate- or stack-type directional control valves.

4-way 2-position spool options



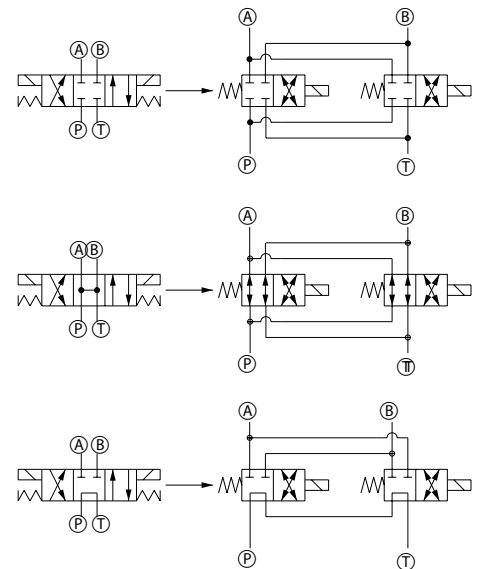
P103 113

Motor directional control



P103 114

4-way 3-position directional valve circuits



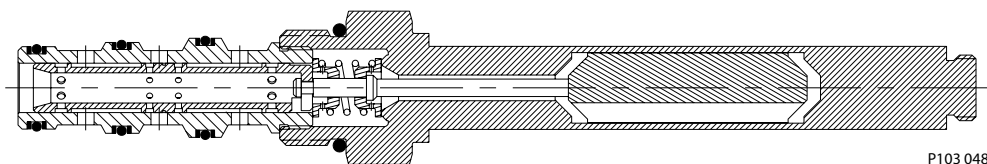
P103 115

SPOOL-TYPE SOLENOID VALVES
(continued)

Four-way, three-position

Four-way, three-position spool-type valves are available with normally-open, normally-closed, motor, and tandem spools.

Four-way, three-position spool-type solenoid valve

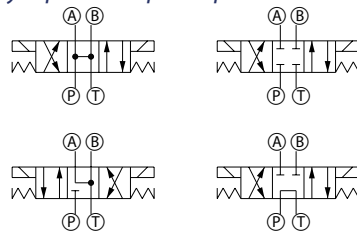


P103 048

These valves are typically used for directional control for motor or cylinder functions.

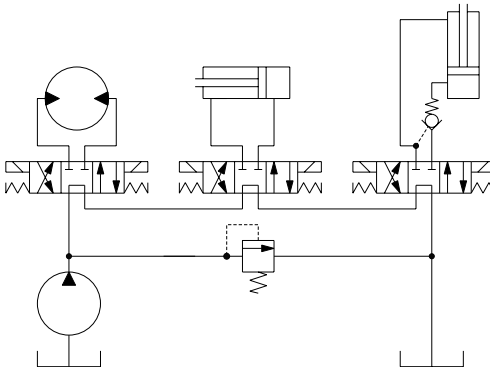
Typical series (or open-center) and parallel (or closed-center) circuits are shown below.

4-way 3-position spool options



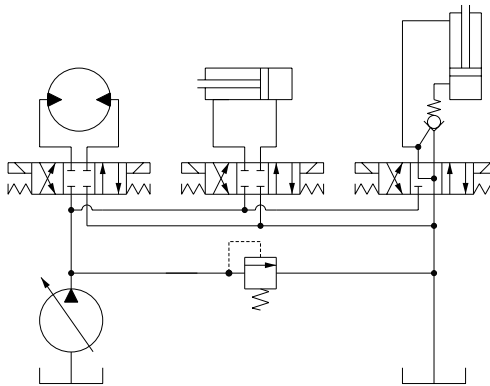
P103 116

Series (open-center) circuit



P103 117

Parallel (closed-center) circuit



P103 118



Cartridge Valves Technical Information

Solenoid valves

SVP08-CDB



OPERATION

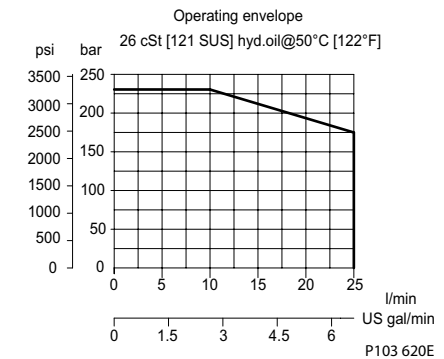
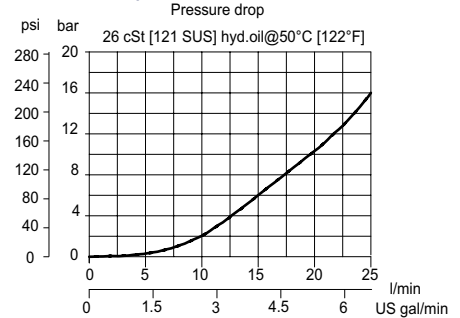
This is a normally-closed, double-blocking poppet-type solenoid valve.

SPECIFICATIONS

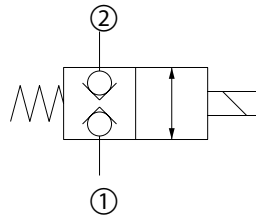
Specifications

Rated pressure	230 bar [3300 psi]
Rated flow at 7 bar [100 psi]	16 l/min [4 US gal/min]
Leakage	6 drops/min @ Rated pressure
Weight	0.32 kg [0.71 lb]
Cavity	SDC08-2
Standard Coil	M13 20 Watt
Robust Coil	R13 16 Watt

Theoretical performance



Schematic

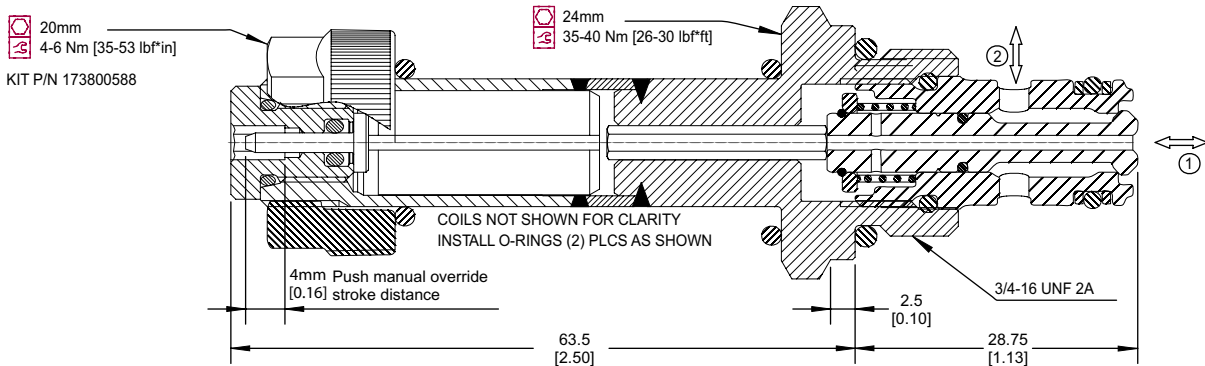


P102 716

DIMENSIONS

mm [in]

Cross-sectional view



P103 488

ORDERING INFORMATION

SVP08-CDB-12D-DN-B-F-00

Coil voltage
 00 = No Coil
 12D = 12 VDC (Standard Coil)
 24D = 24 VDC (Standard Coil)
 R12D = 12 VDC (R-Coil)
 R24D = 24 VDC (R-Coil)
 Coil termination:

00 = No Coil
 FL = Flying Lead
 DN = DIN 43650 *
 DE = Deutsch
 AJ = Amp Junior *
 SP = Spade *

AS = AMP SuperSeal 1.5 and Metri-Pack 150 type 1
 *These terminations are not available on robust coil (R12D, R24D)

Body and Ports
 Omit = Cartridge only
 4S = Al, #4 SAE
 6S = Al, #6 SAE
 DG2B = Al, 1/4 BSP
 DG3B = Al, 3/8 BSP
 Other housings available

Filter
 Omit = No Filter
 F = Filter 300 µm

Seals Seal Kit
 B = Buna-N seals 354001619
 V = Viton seals 354001719

Body Nomenclature
 No Body
 CP08-2-4S
 CP08-2-6S
 SDC08-2-DG2B
 SDC08-2-DG3B

P103 545E

Solenoid valves
 SVP08-CDB



Cartridge Valves Technical Information

Solenoid valves

EVK 06/C5

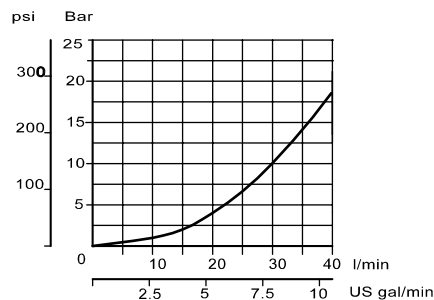


OPERATION

This is a normally-closed, double-blocking poppet-type solenoid valve.

Theoretical performance

Pressure drop
26 cSt [121 SUS] hyd.oil at 50°C [122 °F]

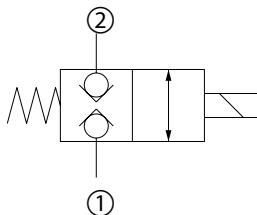


SPECIFICATIONS

Specifications

Rated pressure	210 bar [3000 psi]
Rated flow at 7 bar [100 psi]	25 l/min [7 US gal/min]
Weight	0.43 kg [0.95 lb]
Cavity	NCS06/2
Standard Coil	M16 26 Watt
Robust Coil	R16 20 Watt

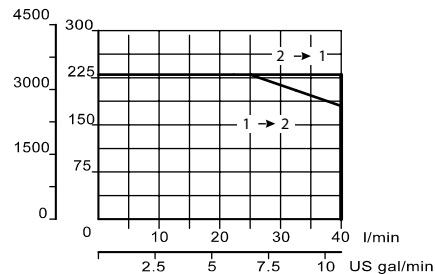
Schematic



P102 716

Operating envelope

26 cSt [121 SUS] hyd.oil at 50°C [122 °F]

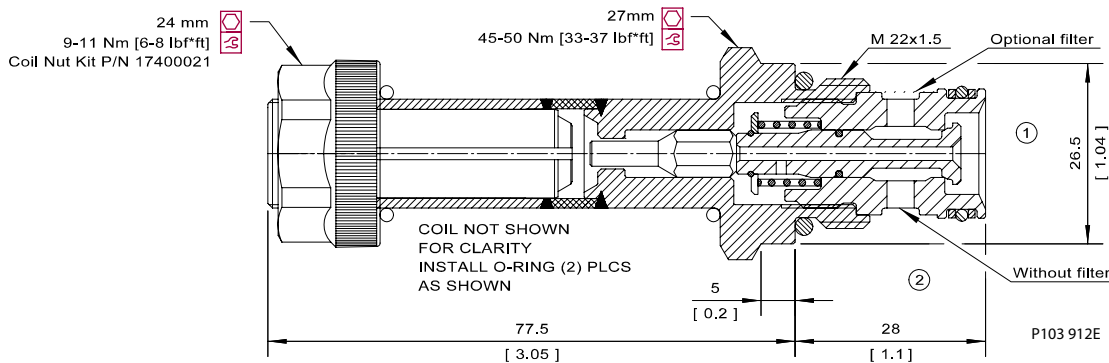


P103 861E

DIMENSIONS

mm [in]

Cross-sectional view



P103 912E

ORDERING INFORMATION

EVK 06/C5-F-12D-DN-00-B

Filter	Seals	Seals kit	Body and ports	Body Nomenclature
Omit = No Filter	B = Buna-N	230000440	00 = Cartridge only	No Body
F = Filter 300 µm	V = Viton	230000710	DG3/8 = Al, 3/8 BSP	NCS06/2-DG-3/8
Coil voltage			DG1/2 = Al, 1/2 BSP	NCS06/2-DG-1/2
00 = No Coil			DG65 = Al, #6 SAE	NCS06/2-DG-65
12D = 12 VDC (Standard Coil)			DG85 = Al, #8 SAE	NCS06/2-DG-85
24D = 24 VDC (Standard Coil)			Other housings available	
R12D = 12 VDC (R-Coil)				
R24D = 24 VDC (R-Coil)				
Coil termination:				
00 = No Coil				
FL = Flying Lead	AJ = Amp Junior *			
DN = DIN 43650 *	AS = AMP SuperSeal 1.5 and Metri-Pack 150 type 1			
DE = Deutsch				

P103 850E

* These terminations are not available on robust coil (R12D, R24D)



Cartridge Valves Technical Information

Solenoid valves

SVP08-NC

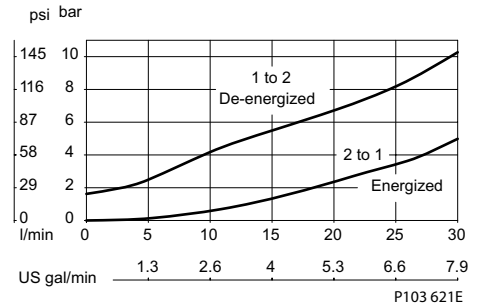


OPERATION

This is a normally-closed, pilot-operated, poppet-type solenoid valve.

Theoretical performance

Pressure drop
33 cSt [154 SUS] hyd.oil @ 38°C [100° F]

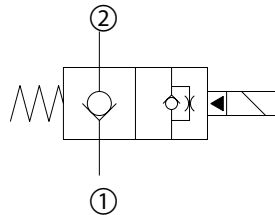


SPECIFICATIONS

Specifications

Rated pressure	230 bar [3300 psi]
Rated flow at 7 bar [100 psi]	35 l/min [9 US gal/min]
Leakage	6 drops/min @ Rated pressure
Weight	0.23 kg [0.51 lb]
Cavity	SDC08-2
Standard Coil	M13 20 Watt
Robust Coil	R13 16 Watt

Schematic

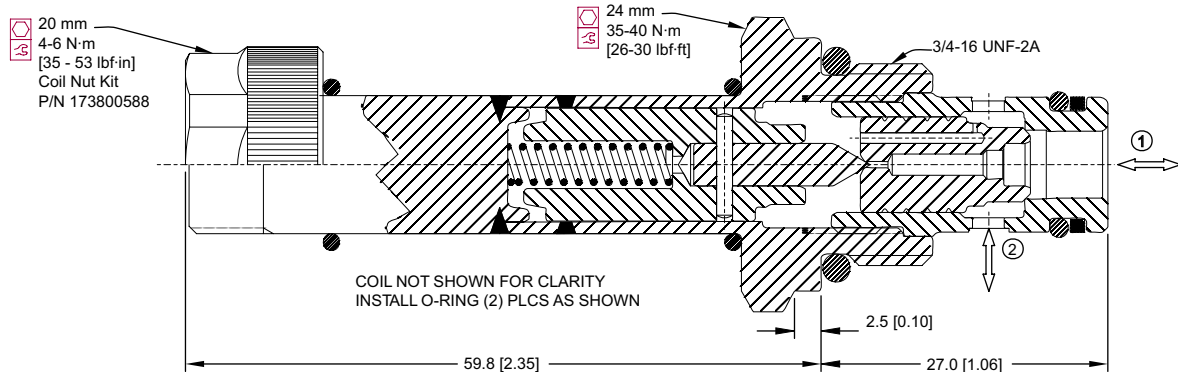


P102 384

DIMENSIONS

mm [in]

Cross-sectional view



P103 486

ORDERING INFORMATION

SVP08-NC-12D-DN-B-F-00

Coil voltage	00 = No Coil 12D = 12 VDC (Standard Coil) 24D = 24 VDC (Standard Coil) R12D = 12 VDC (R-Coil) R24D = 24 VDC (R-Coil)	Body and ports	00 = Cartridge only DG2B = Al, 1/4 BSP DG3B = Al, 3/8 BSP 4S = Al, #4 SAE 6S = Al, #6 SAE Other housings available	Body Nomenclature	No Body SDC08-2-DG-2B SDC08-2-DG-3B CP08-2-4S CP08-2-6S
Coil termination:	00 = No Coil FL = Flying Lead DN = DIN 43650 * DE = Deutsch AJ = Amp Junior * SP = Spade * AS = AMP SuperSeal 1.5 and Metri-Pack 150 type 1 * These terminations are not available on robust coil (R12D, R24D)	Filter	Omit = No Filter F = Filter 300 µm		
		Seals	Seals kit B = Buna-N 354003119 V = Viton 354003619		

P103 543E

Solenoid valves
SVP08-NC



Cartridge Valves Technical Information

Solenoid valves

SVP10-NC



OPERATION

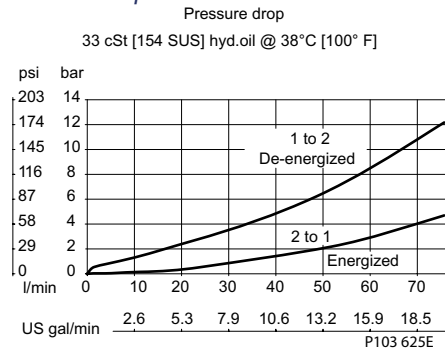
This is a normally-closed, pilot-operated, poppet-type solenoid valve.

SPECIFICATIONS

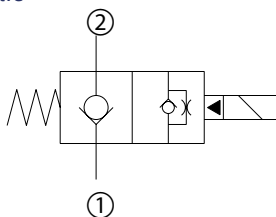
Specifications

Rated pressure	230 bar [3300 psi]
Rated flow at 7 bar [100 psi]	80 l/min [21 US gal/min]
Leakage	6 drops/min @ Rated pressure
Weight	0.43 kg [0.95 lb]
Cavity	SDC10-2
Standard Coil	M16 26 Watt
Robust Coil	R16 20 Watt

Theoretical performance



Schematic

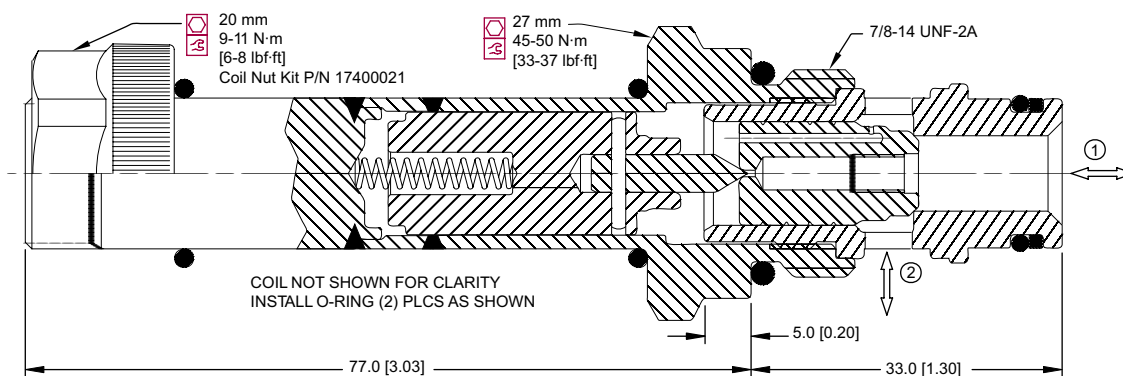


P102 384

DIMENSIONS

mm [in]

Cross-sectional view



P103 491

ORDERING INFORMATION

SVP10-NC-12D-DN-B-F-00

- Coil voltage
- 00 = No Coil
- 12D = 12 VDC (Standard Coil)
- 24D = 24 VDC (Standard Coil)
- R12D = 12 VDC (R-Coil)
- R24D = 24 VDC (R-Coil)
- Coil termination:
- 00 = No Coil
- FL = Flying Lead
- DN = DIN 43650 *
- DE = Deutsch
- AJ = Amp Junior *
- SP = Spade *
- AS = AMP SuperSeal 1.5 and Metri-Pack 150 type 1
- *These terminations are not available on robust coil (R12D, R24D)

- Body and ports
- 00 = Cartridge only
- DG3B = Al, 3/8 BSP
- DG4B = Al, 1/2 BSP
- 6S = Al, #6 SAE
- 8S = Al, #8 SAE
- Other housings available
- Filter
- Omit = No Filter
- F = Filter 300 µm
- Seals
- B = Buna-N
- V = Viton

- Body Nomenclature
- No Body
- SDC10-2-DG-3B
- SDC10-2-DG-4B
- CP10-2-6S
- CP10-2-8S

P103 548E

Solenoid valves
SVP10-NC



Cartridge Valves Technical Information

Solenoid valves

CP501-1



OPERATION

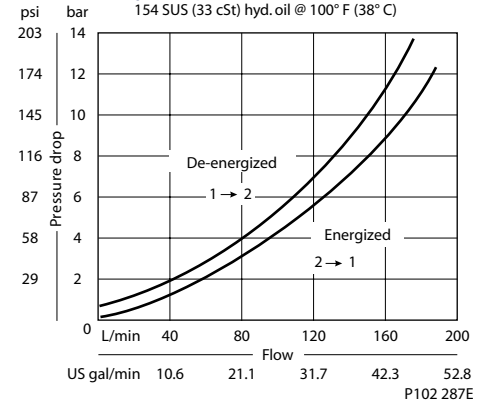
This valve is a normally closed, pilot operated, poppet type solenoid.

SPECIFICATIONS

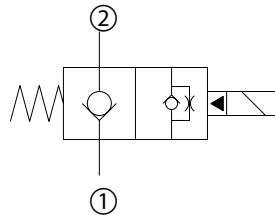
Specifications

Rated pressure	210 bar [3000 psi]
Rated flow at 7 bar [100 psi]	115 l/min [30 US gal/min]
Leakage	6 drops/min @ Rated pressure
Weight	0.53 kg [1.16 lb]
Cavity	CP12-2
Standard Coil	D10 16 Watt
Coil nut	620186

Theoretical performance



Schematic

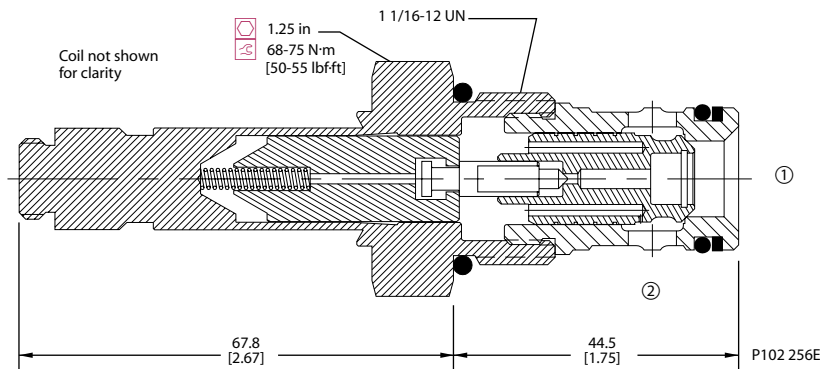


P102 384

DIMENSIONS

mm [in]

Cross-sectional view



ORDERING INFORMATION

CP501 - 1 - B - 12S - 24D - S

<p>Seals</p> <p>B = Buna-N</p> <p>V = Viton</p>	<p>Seal kit</p> <p>120265</p> <p>120264</p>	<p>Termination</p> <p>0 = No connector</p> <p>S = Spade</p> <p>L = Lead</p> <p>H = DIN 43650</p> <p>DE = Deutsch</p> <p>M2 = Metri-Pak 150 Type 1</p>
<p>Housing and ports</p> <p>0 = No Housing</p> <p>4B = AL, 1/2 BSP</p> <p>6B = AL, 3/4 BSP</p> <p>10S = AL, #10 SAE</p> <p>12S = AL, #12 SAE</p> <p>Other housings available</p>	<p>Housing P/N</p> <p>No Housing</p> <p>CP12-2-4B</p> <p>CP12-2-6B</p> <p>CP12-2-10S</p> <p>CP12-2-12S</p>	<p>Voltage</p> <p>000 = No coil</p> <p>12D = 12 VDC</p> <p>24D = 24 VDC</p>

Solenoid valves
CP501-1

P102 323E



Cartridge Valves Technical Information

Solenoid valves

SVP08-NCR



OPERATION

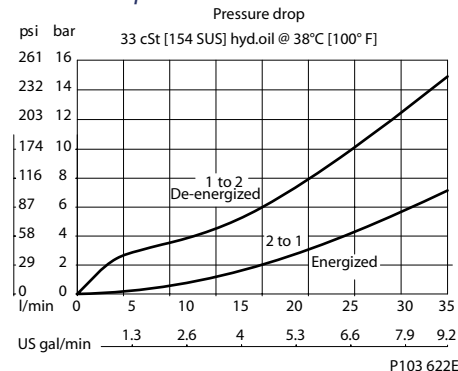
This is a normally-closed, pilot-operated, poppet-type solenoid valve with free reverse flow.

SPECIFICATIONS

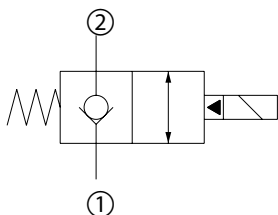
Specifications

Rated pressure	230 bar [3300 psi]
Rated flow at 7 bar [100 psi]	35 l/min [9 US gal/min]
Leakage	6 drops/min @ Rated pressure
Weight	0.23 kg [0.51 lb]
Cavity	SDC08-2
Standard Coil	M13 20 Watt
Robust Coil	R13 16 Watt

Theoretical performance



Schematic

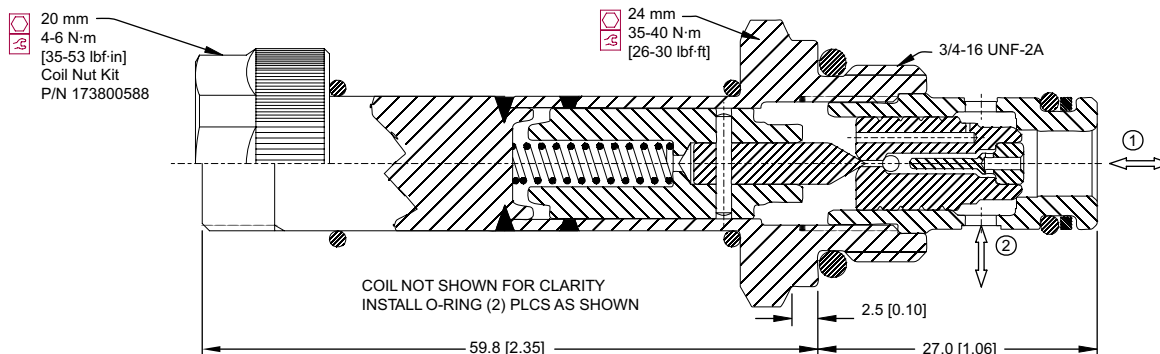


P102 386

DIMENSIONS

mm [in]

Cross-sectional view



P103 492

ORDERING INFORMATION

SVP08-NCR-12D-DN-B-F-00

Coil voltage

- 00 = No Coil
- 12D = 12 VDC (Standard Coil)
- 24D = 24 VDC (Standard Coil)
- R12D = 12 VDC (R-Coil)
- R24D = 24 VDC (R-Coil)

Coil termination:

- 00 = No Coil
 - FL = Flying Lead
 - DN = DIN 43650 *
 - DE = Deutsch
 - AJ = Amp Junior *
 - SP = Spade *
 - AS = AMP SuperSeal 1.5 and Metri-Pack 150 type 1
- *These terminations are not available on robust coil (R12D, R24D)

Body and ports

- 00 = Cartridge only
- DG2B = Al, 1/4 BSP
- DG3B = Al, 3/8 BSP
- 4S = Al, #4 SAE
- 6S = Al, #6 SAE
- Other housings available

Filter

- Omit = No Filter
- F = Filter 300 µm

Seals

- B = Buna-N
- V = Viton

Body Nomenclature

- No Body
- SDC08-2-DG-2B
- SDC08-2-DG-3B
- CP08-2-4S
- CP08-2-6S

P103 544E



Cartridge Valves Technical Information

Solenoid valves

SVP10-NCR



OPERATION

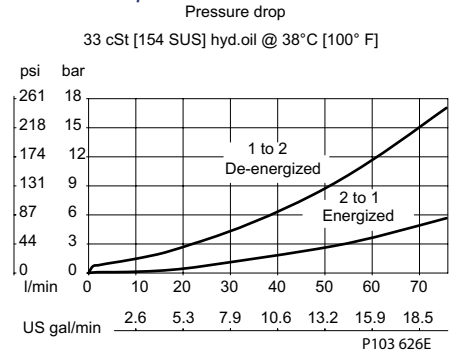
This is a normally-closed, pilot-operated, poppet-type solenoid valve with free reverse flow.

SPECIFICATIONS

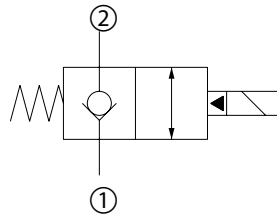
Specifications

Rated pressure	230 bar [3300 psi]
Rated flow at 7 bar [100 psi]	80 l/min [21 US gal/min]
Leakage	6 drops/min @ Rated pressure
Weight	0.43 kg [0.95 lb]
Cavity	SDC10-2
Standard Coil	M16 26 Watt
Robust Coil	R16 20 Watt

Theoretical performance



Schematic

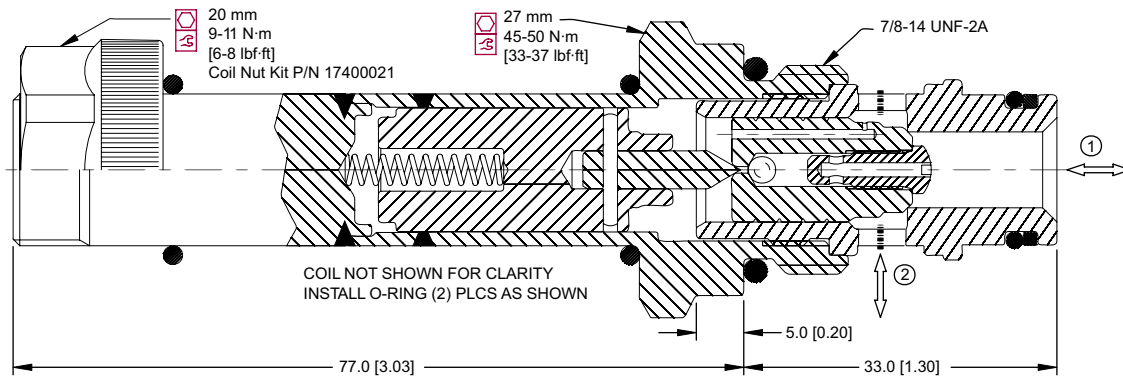


P102 386

DIMENSIONS

mm [in]

Cross-sectional view



P103 487

ORDERING INFORMATION

SVP10-NCR-12D-DN-B-F-00

Coil voltage	00 = No Coil 12D = 12 VDC (Standard Coil) 24D = 24 VDC (Standard Coil) R12D = 12 VDC (R-Coil) R24D = 24 VDC (R-Coil)	Body and ports	00 = Cartridge only DG3B = Al, 3/8 BSP DG4B = Al, 1/2 BSP 6S = Al, #6 SAE 8S = Al, #8 SAE Other housings available	Body Nomenclature	No Body SDC10-2-DG-3B SDC10-2-DG-4B CP10-2-6S CP10-2-8S
Coil termination:	00 = No Coil FL = Flying Lead DN = DIN 43650 * DE = Deutsch AJ = Amp Junior * SP = Spade * AS = AMP SuperSeal 1.5 and Metri-Pack 150 type 1 * These terminations are not available on robust coil (R12D, R24D)	Filter	Omit = No Filter F = Filter 300 µm		
		Seals	Seals kit B = Buna-N 354000719 V = Viton 354000819		P103 549E

Solenoïd valves
SVP10-NCR



Cartridge Valves Technical Information

Solenoid valves

CP501-3



OPERATION

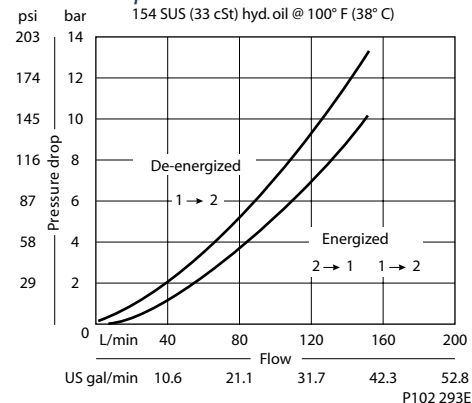
This valve is a normally closed, pilot operated, poppet type solenoid valve with free reverse flow.

SPECIFICATIONS

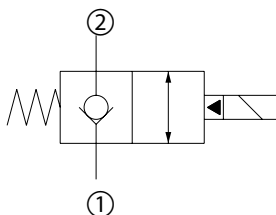
Specifications

Rated pressure	210 bar [3000 psi]
Rated flow at 7 bar [100 psi]	115 l/min [30 US gal/min]
Leakage	6 drops/min @ Rated pressure
Weight	0.53 kg [1.16 lb]
Cavity	CP12-2
Standard Coil	D10 16 Watt
Coil nut	620186

Theoretical performance



Schematic

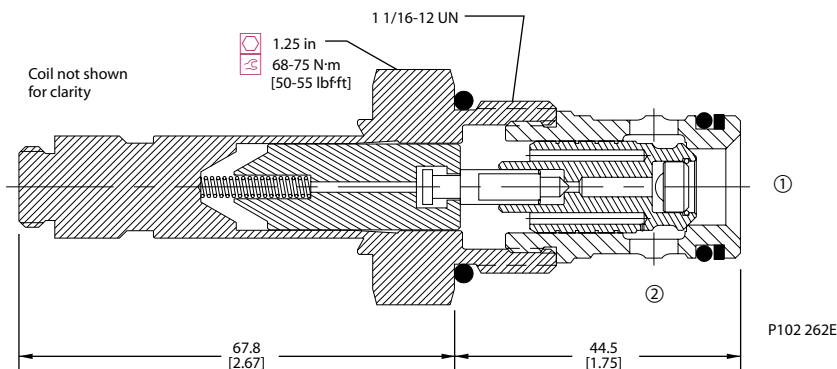


P102 386

DIMENSIONS

mm [in]

Cross-sectional view



P102 262E

ORDERING INFORMATION

Seal

- B = Buna-N
- V = Viton

Housing and ports

- 0 = No Housing
- 4B = AL, 1/2 BSP
- 6B = AL, 3/4 BSP
- 10S = AL, #10 SAE
- 12S = AL, #12 SAE
- Other housings available

Seal kit

- 120265
- 120264

Housing P/N

- No Housing
- CP12-2-4B
- CP12-2-6B
- CP12-2-10S
- CP12-2-12S

CP501 - 3 - B - 12S - 24D - S

Termination

- 0 = No connector
- S = Spade
- L = Lead
- H = DIN 43650
- DE = Deutsch
- M2 = Metri-Pak 150 Type 1

Voltage

- 000 = No coil
- 12D = 12 VDC
- 24D = 24 VDC

Solenoid valves
CP501-3



Cartridge Valves Technical Information

Solenoid valves

CP502-3



OPERATION

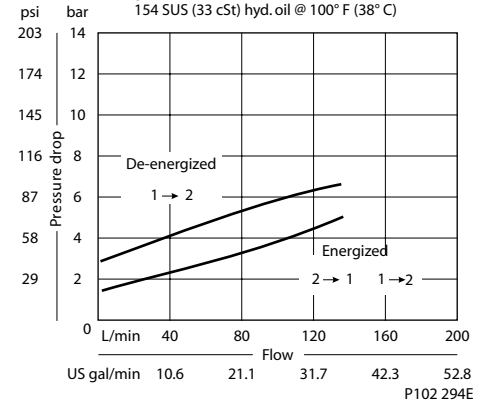
This valve is a normally closed, pilot operated, poppet type solenoid valve with free reverse flow.

SPECIFICATIONS

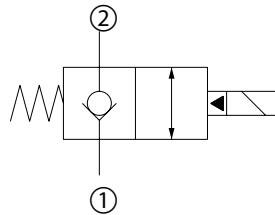
Specifications

Rated pressure	210 bar [3000 psi]
Rated flow at 7 bar [100 psi]	130 l/min [34 US gal/min]
Leakage	6 drops/min @ Rated pressure
Weight	0.66 kg [1.45 lb]
Cavity	SDC16-2
Standard Coil	D10 16 Watt
Coil nut	620186

Theoretical performance



Schematic

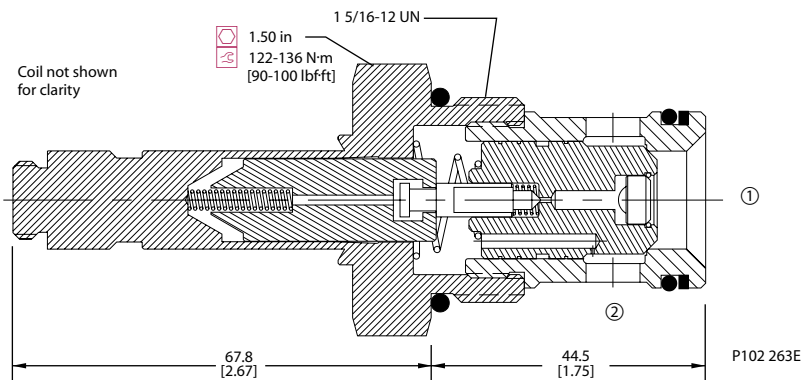


P102 386

DIMENSIONS

mm [in]

Cross-sectional view



ORDERING INFORMATION

CP502 - 3 - B - 16S - 24D - S

<p>Seals</p> <p>B = Buna-N V = Viton</p> <p>Seal kit</p> <p>120019 120020</p> <p>Housing and ports</p> <p>0 = No Housing DG6B = AL, 3/4 BSP DG8B = AL, 1 BSP 12S = AL, #12 SAE 16S = AL, #16 SAE Other housings available</p>	<p>Housing P/N</p> <p>No Housing SDC16-2-DG-6B SDC16-2-DG-8B CP16-2-12S CP16-2-16S</p>	<p>Termination</p> <p>0 = No connector S = Spade L = Lead H = DIN 43650 DE = Deutsch M2 = Metri-Pak 150 Type 1</p> <p>Voltage</p> <p>000 = No coil 12D = 12 VDC 24D = 24 VDC</p>
--	---	--

P102 318E



Cartridge Valves Technical Information

Solenoid valves

CP503-3



OPERATION

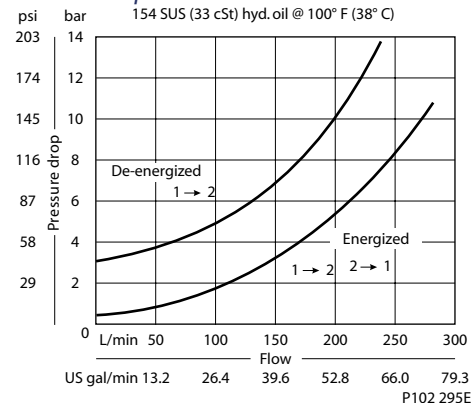
This valve is a normally closed, pilot operated, poppet type solenoid valve with free reverse flow.

SPECIFICATIONS

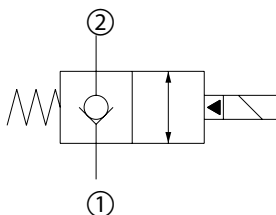
Specifications

Rated pressure	210 bar [3000 psi]
Rated flow at 7 bar [100 psi]	230 l/min [61 US gal/min]
Leakage	6 drops/min @ Rated pressure
Weight	0.91 kg [2.00 lb]
Cavity	SDC20-2
Standard Coil	D10 16 Watt
Coil nut	620186

Theoretical performance



Schematic

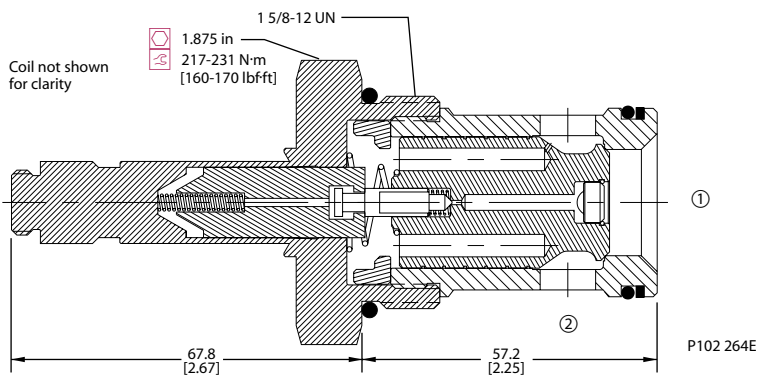


P102 386

DIMENSIONS

mm [in]

Cross-sectional view



ORDERING INFORMATION

CP503 - 3 - B - 20S - 24D - S

<p>Seals</p> <p>B = Buna-N V = Viton</p>	<p>Seal kit</p> <p>120011 120012</p>	<p>Housing and ports</p> <p>0 = No Housing 8B = AL, 1 BSP 10B = AL, 1-1/4 BSP 16S = AL, #16 SAE 20S = AL, #20 SAE Other housings available</p>	<p>Housing P/N</p> <p>No Housing CP20-2-8B CP20-2-10B CP20-2-16S CP20-2-20S</p>	<p>Voltage</p> <p>000 = No coil 12D = 12 VDC 24D = 24 VDC</p>	<p>Termination</p> <p>0 = No connector S = Spade L = Lead H = DIN 43650 DE = Deutsch M2 = Metri-Pak 150 Type 1</p>
---	---	---	--	--	---

P102 316E



Cartridge Valves Technical Information

Solenoid valves

SVP08-NO



OPERATION

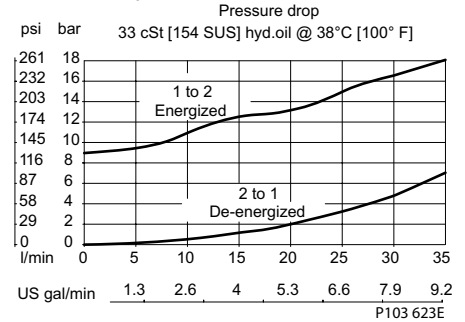
This is a normally-open, pilot-operated, poppet-type solenoid valve.

SPECIFICATIONS

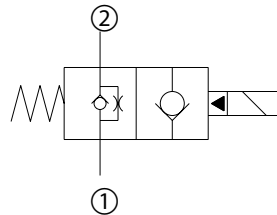
Specifications

Rated pressure	230 bar [3300 psi]
Rated flow at 7 bar [100 psi]	35 l/min [9 US gal/min]
Leakage	6 drops/min @ Rated pressure
Weight	0.23 kg [0.51 lb]
Cavity	SDC08-2
Standard Coil	M13 20 Watt
Robust Coil	R13 16 Watt

Theoretical performance



Schematic

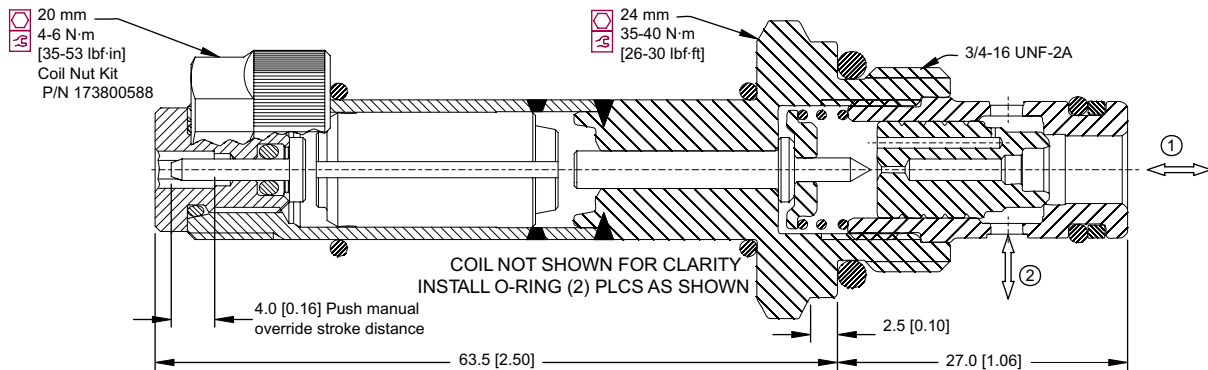


P102 385

DIMENSIONS

mm [in]

Cross-sectional view



P103 489

ORDERING INFORMATION

SVP08-NO-12D-DN-B-F-00		
Coil voltage	00 = No Coil 12D = 12 VDC (Standard Coil) 24D = 24 VDC (Standard Coil) R12D = 12 VDC (R-Coil) R24D = 24 VDC (R-Coil) Coil termination:	Body and ports
00 = No Coil FL = Flying Lead DN = DIN 43650 * DE = Deutsch AJ = Amp Junior * SP = Spade * AS = AMP SuperSeal 1.5 and Metri-Pack 150 type 1 * These terminations are not available on robust coil (R12D, R24D)		00 = Cartridge only DG2B = Al, 1/4 BSP DG3B = Al, 3/8 BSP 4S = Al, #4 SAE 6S = Al, #6 SAE Other housings available
		Filter
		Omit = No Filter F = Filter 300 µm
		Seals
		Seals kit B = Buna-N 354003119 V = Viton 354003619
		Body Nomenclature
		No Body SDC08-2-DG-2B SDC08-2-DG-3B CP08-2-4S CP08-2-6S
		P103 546E

Solenoid valves
SVP08-NO



Cartridge Valves Technical Information

Solenoid valves

SVP10-NO



OPERATION

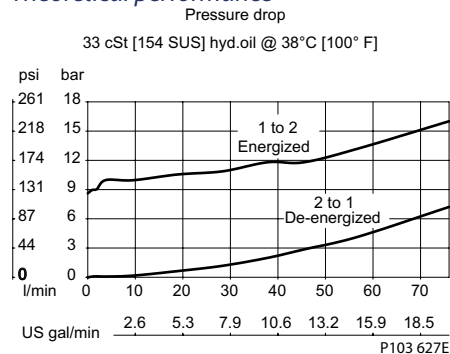
This is a normally-open, pilot-operated, poppet-type solenoid valve.

SPECIFICATIONS

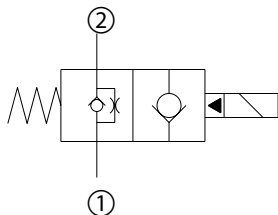
Specifications

Rated pressure	230 bar [3300 psi]
Rated flow at 7 bar [100 psi]	80 l/min [21 US gal/min]
Leakage	6 drops/min @ Rated pressure
Weight	0.43 kg [0.95 lb]
Cavity	SDC10-2
Standard Coil	M16 26 Watt
Robust Coil	R16 20 Watt

Theoretical performance



Schematic

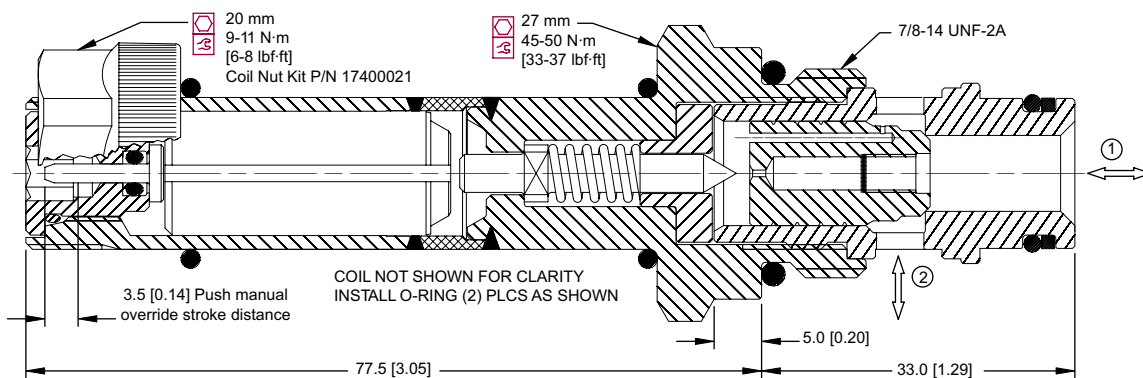


P102 385

DIMENSIONS

mm [in]

Cross-sectional view



ORDERING INFORMATION

SVP10-NO-12D-DN-B-F-00

Coil voltage	00 = No Coil 12D = 12 VDC (Standard Coil) 24D = 24 VDC (Standard Coil) R12D = 12 VDC (R-Coil) R24D = 24 VDC (R-Coil) Coil termination:	00 = No Coil FL = Flying Lead DN = DIN 43650 * DE = Deutsch AJ = Amp Junior * SP = Spade * AS = AMP SuperSeal 1.5 and Metri-Pack 150 type 1 *These terminations are not available on robust coil (R12D, R24D)	Body and ports	00 = Cartridge only DG3B = Al, 3/8 BSP DG4B = Al, 1/2 BSP 6S = Al, #6 SAE 8S = Al, #8 SAE Other housings available	Body Nomenclature
			Filter	Omit = No Filter F = Filter 300 µm	No Body SDC10-2-DG-3B SDC10-2-DG-4B CP10-2-6S CP10-2-8S
			Seals	Seals kit B = Buna-N 354000719 V = Viton 354000819	

P103 550E

Solenoid valves
SVP10-NO



Cartridge Valves Technical Information

Solenoid valves

CP501-2



OPERATION

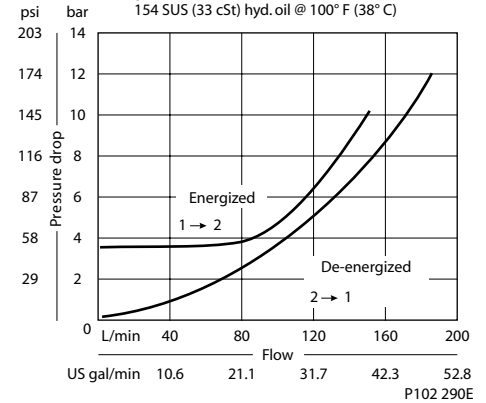
This valve is a normally open, pilot operated, poppet type solenoid.

SPECIFICATIONS

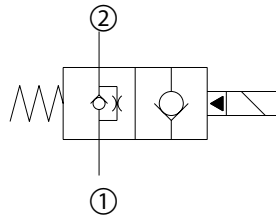
Specifications

Rated pressure	210 bar [3000 psi]
Rated flow at 7 bar [100 psi]	115 l/min [30 US gal/min]
Leakage	6 drops/min @ Rated pressure
Weight	0.54 kg [1.19 lb]
Cavity	CP12-2
Standard Coil	D10 16 Watt

Theoretical performance



Schematic

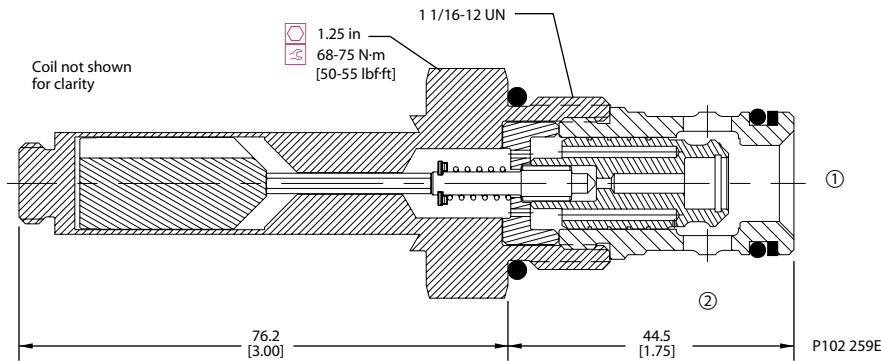


P102 385

DIMENSIONS

mm [in]

Cross-sectional view



ORDERING INFORMATION

Seals

B = Buna-N
V = Viton

Seal kit

120265
120264

Housing and ports

0 = No Housing
4B = AL, 1/2 BSP
6B = AL, 3/4 BSP
10S = AL, #10 SAE
12S = AL, #12 SAE
Other housings available

Housing P/N

No Housing
CP12-2-4B
CP12-2-6B
CP12-2-10S
CP12-2-12S

CP501 - 2 - B - 10S - 24D - S

Voltage

000 = No coil
12D = 12 VDC
24D = 24 VDC

Termination

0 = No connector
S = Spade
L = Lead
H = DIN 43650
DE = Deutsch
M2 = Metri-Pak 150
Type 1

P102 322E

Solenoid valves
CP501-2



Cartridge Valves Technical Information

Solenoid valves

SVP08-NOR



OPERATION

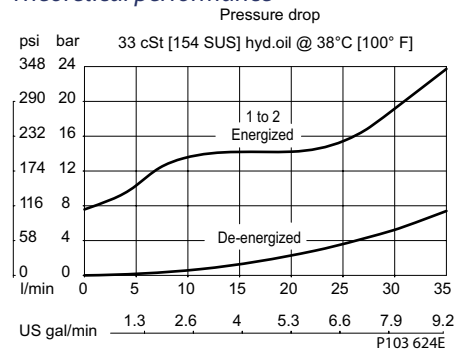
This is a normally-open, pilot-operated, poppet-type solenoid valve with free reverse flow.

SPECIFICATIONS

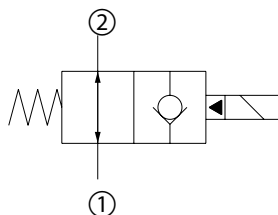
Specifications

Rated pressure	230 bar [3300 psi]
Rated flow at 7 bar [100 psi]	35 l/min [9 US gal/min]
Leakage	6 drops/min @ Rated pressure
Weight	0.23 kg [0.51 lb]
Cavity	SDC08-2
Standard Coil	M13 20 Watt
Robust Coil	R13 16 Watt

Theoretical performance



Schematic

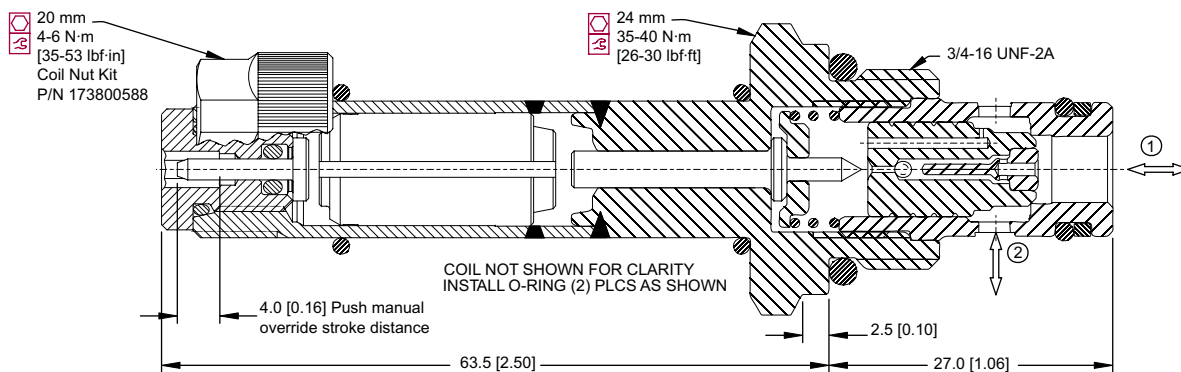


P102 387

DIMENSIONS

mm [in]

Cross-sectional view



P103 490

ORDERING INFORMATION

SVP08-NOR-12D-DN-B-F-00

Coil voltage

- 00 = No Coil
- 12D = 12 VDC (Standard Coil)
- 24D = 24 VDC (Standard Coil)
- R12D = 12 VDC (R-Coil)
- R24D = 24 VDC (R-Coil)

Coil termination:

- 00 = No Coil
 - FL = Flying Lead
 - DN = DIN 43650 *
 - DE = Deutsch
 - AJ = Amp Junior *
 - SP = Spade *
 - AS = AMP SuperSeal 1.5 and Metri-Pack 150 type 1
- *These terminations are not available on robust coil (R12D, R24D)

Body and ports

- 00 = Cartridge only
 - DG2B = Al, 1/4 BSP
 - DG3B = Al, 3/8 BSP
 - 4S = Al, #4 SAE
 - 6S = Al, #6 SAE
- Other housings available

Filter

- Omit = No Filter
- F = Filter 300 µm

Seals

- B = Buna-N
- V = Viton

Body Nomenclature

- No Body
- SDC08-2-DG-2B
- SDC08-2-DG-3B
- CP08-2-4S
- CP08-2-6S

P103 547E

Solenoid valves
SVP08-NOR



Cartridge Valves Technical Information

Solenoid valves

SVP10-NOR



OPERATION

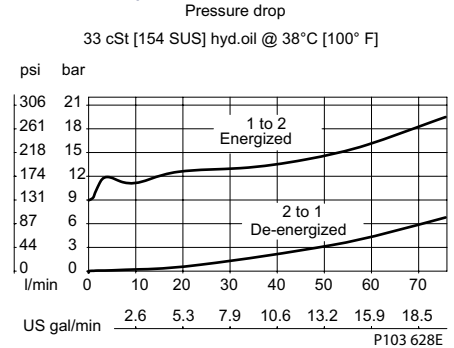
This is a normally-open, pilot-operated, poppet-type solenoid valve with free reverse flow.

SPECIFICATIONS

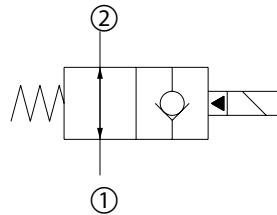
Specifications

Rated pressure	230 bar [3300 psi]
Rated flow at 7 bar [100 psi]	80 l/min [21 US gal/min]
Leakage	6 drops/min @ Rated pressure
Weight	0.43 kg [0.95 lb]
Cavity	SDC10-2
Standard Coil	M16 26 Watt
Robust Coil	R16 20 Watt

Theoretical performance



Schematic

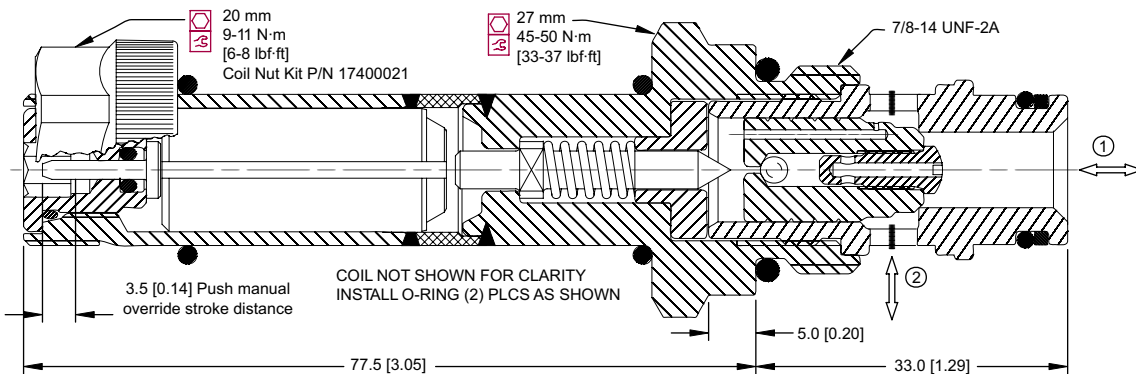


P102 387

DIMENSIONS

mm [in]

Cross-sectional view



P103 494

ORDERING INFORMATION

SVP10-NOR-12D-DN-B-F-00

Coil voltage	00 = No Coil 12D = 12 VDC (Standard Coil) 24D = 24 VDC (Standard Coil) R12D = 12 VDC (R-Coil) R24D = 24 VDC (R-Coil) Coil termination:	00 = No Coil FL = Flying Lead DN = DIN 43650 * DE = Deutsch AJ = Amp Junior * SP = Spade * AS = AMP SuperSeal 1.5 and Metri-Pack 150 type 1 * These terminations are not available on robust coil (R12D, R24D)	Body and ports	00 = Cartridge only DG3B = Al, 3/8 BSP DG4B = Al, 1/2 BSP 6S = Al, #6 SAE 8S = Al, #8 SAE Other housings available	Body Nomenclature
			Filter	Omit = No Filter F = Filter 300 µm	SDC10-2-DG-3B SDC10-2-DG-4B CP10-2-6S CP10-2-8S
			Seals	Seals kit B = Buna-N 354000719 V = Viton 354000819	P103 551E

Solenoïd valves
SVP10-NOR



Cartridge Valves Technical Information

Solenoid valves

CP501-4



OPERATION

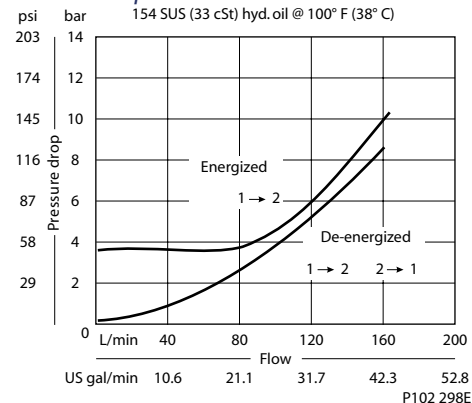
This valve is a normally open, pilot operated, poppet type solenoid valve with free reverse flow.

SPECIFICATIONS

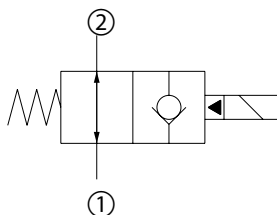
Specifications

Rated pressure	210 bar [3000 psi]
Rated flow at 7 bar [100 psi]	115 l/min [30 US gal/min]
Leakage	6 drops/min @ Rated pressure
Weight	0.54 kg [1.19 lb]
Cavity	CP12-2
Standard Coil	D10 16 Watt

Theoretical performance



Schematic

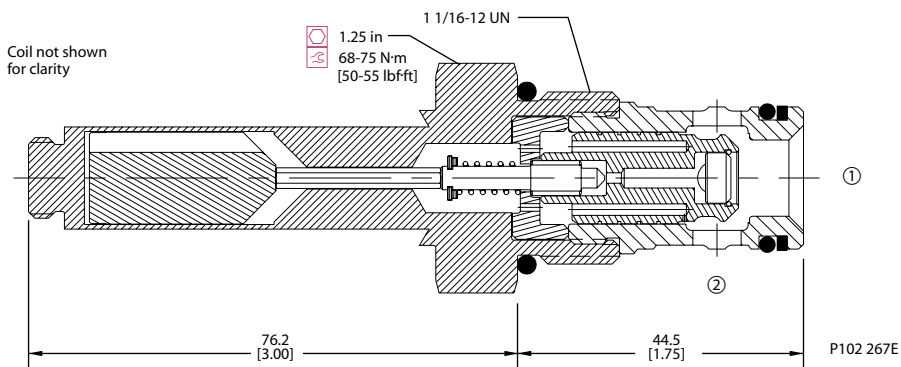


P102 387

DIMENSIONS

mm [in]

Cross-sectional view



ORDERING INFORMATION

CP501 - 4 - B - 10S - 24D - S

Seals	Seal kit	CP501 - 4 - B - 10S - 24D - S	Termination
B = Buna-N V = Viton	120265 120264		
Housing and ports	Housing P/N	Voltage	000 = No coil 12D = 12 VDC 24D = 24 VDC
0 = No Housing 4B = AL, 1/2 BSP 6B = AL, 3/4 BSP 10S = AL, #10 SAE 12S = AL, #12 SAE Other housings available	No Housing CP12-2-4B CP12-2-6B CP12-2-10S CP12-2-12S		

P102 320E



Cartridge Valves Technical Information

Solenoid valves

CP502-4



OPERATION

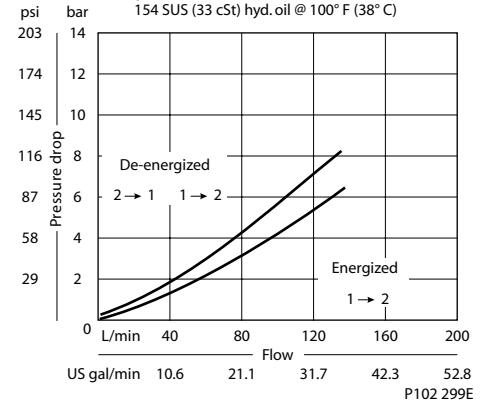
This valve is a normally open, pilot operated, poppet type solenoid.

SPECIFICATIONS

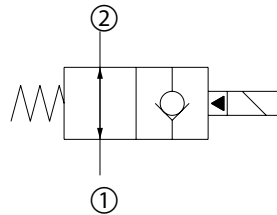
Specifications

Rated pressure	210 bar [3000 psi]
Rated flow at 7 bar [100 psi]	130 l/min [34 US gal/min]
Leakage	6 drops/min @ Rated pressure
Weight	0.68 kg [1.50 lb]
Cavity	SDC16-2
Standard Coil	D10 16 Watt

Theoretical performance



Schematic

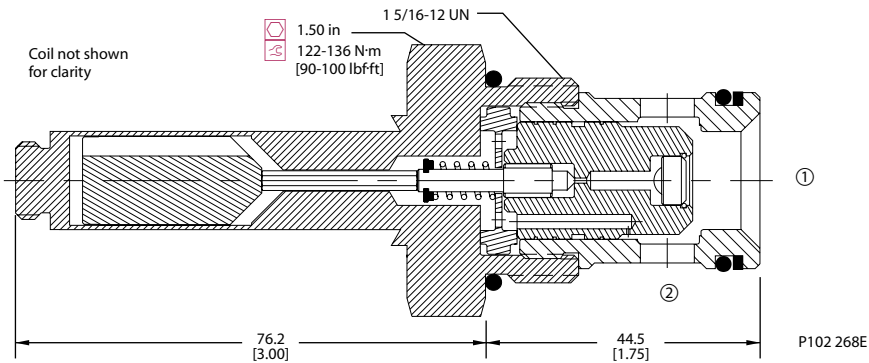


P102 387

DIMENSIONS

mm [in]

Cross-sectional view



ORDERING INFORMATION

CP502 - 4 - B - 12S - 24D - S

<p>Seals</p> <p>B = Buna-N V = Viton</p>	<p>Seal kit</p> <p>120019 120020</p>	<p>Housing and ports</p> <p>0 = No Housing DG6B = AL, 3/4 BSP DG8B = AL, 1 BSP 12S = AL, #12 SAE 16S = AL, #16 SAE Other housings available</p>	<p>Housing P/N</p> <p>No Housing SDC16-2-DG-6B SDC16-2-DG-8B CP16-2-12S CP16-2-16S</p>	<p>Voltage</p> <p>000 = No coil 12D = 12 VDC 24D = 24 VDC</p>	<p>Termination</p> <p>0 = No connector S = Spade L = Lead H = DIN 43650 DE = Deutsch M2 = Metri-Pak 150 Type 1</p>
---	---	--	---	--	---

P102 317E

Solenoid valves
CP502-4



Cartridge Valves Technical Information

Solenoid valves

CP503-4



OPERATION

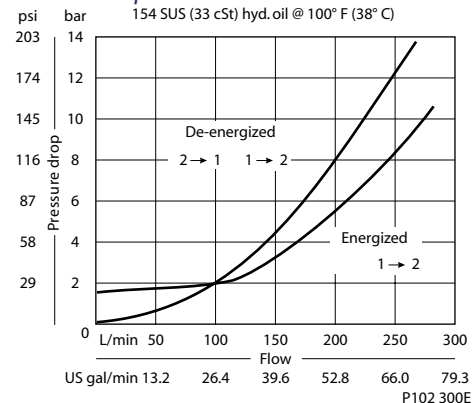
This valve is a normally open, pilot operated, poppet type solenoid.

SPECIFICATIONS

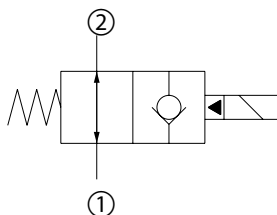
Specifications

Rated pressure	210 bar [3000 psi]
Rated flow at 7 bar [100 psi]	230 l/min [61 US gal/min]
Leakage	6 drops/min @ Rated pressure
Weight	0.91 kg [2.00 lb]
Cavity	SDC20-2
Standard Coil	D10 16 Watt

Theoretical performance



Schematic

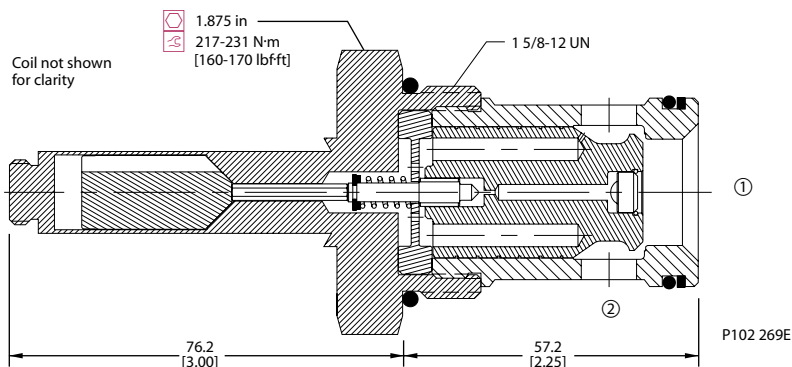


P102 387

DIMENSIONS

mm [in]

Cross-sectional view



P102 269E

ORDERING INFORMATION

CP503 - 4 - B - 16S - 24D - S

Seals

- B = Buna-N
- V = Viton

Housing and ports

- 0 = No Housing
- 8B = AL, 1 BSP
- 10B = AL, 1-1/4 BSP
- 16S = AL, #16 SAE
- 20S = AL, #20 SAE
- Other housings available

Housing P/N

- No Housing
- CP20-2-8B
- CP20-2-10B
- CP20-2-16S
- CP20-2-20S

Voltage

- 000 = No coil
- 12D = 12 VDC
- 24D = 24 VDC

Termination

- 0 = No connector
- S = Spade
- L = Lead
- H = DIN 43650
- DE = Deutsch
- M2 = Metri-Pak 150
- Type 1

P102 345E

Solenoid valves
CP503-4



Cartridge Valves Technical Information

Solenoid valves

SV08-22-02



OPERATION

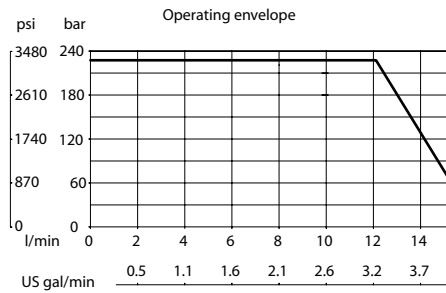
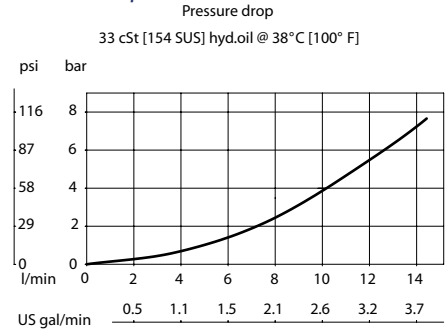
This is a normally-closed, direct-acting, 2-way, 2-position, spool-type solenoid valve.

SPECIFICATIONS

Specifications

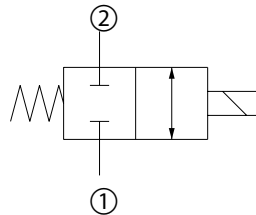
Rated pressure	230 bar [3300 psi]
Rated flow at 7 bar [100 psi]	14 l/min [4 US gal/min]
Weight	0.29 kg [0.64 lb]
Cavity	SDC08-2
Standard Coil	M13 20 Watt
Robust Coil	R13 16 Watt

Theoretical performance



P103 564E

Schematic

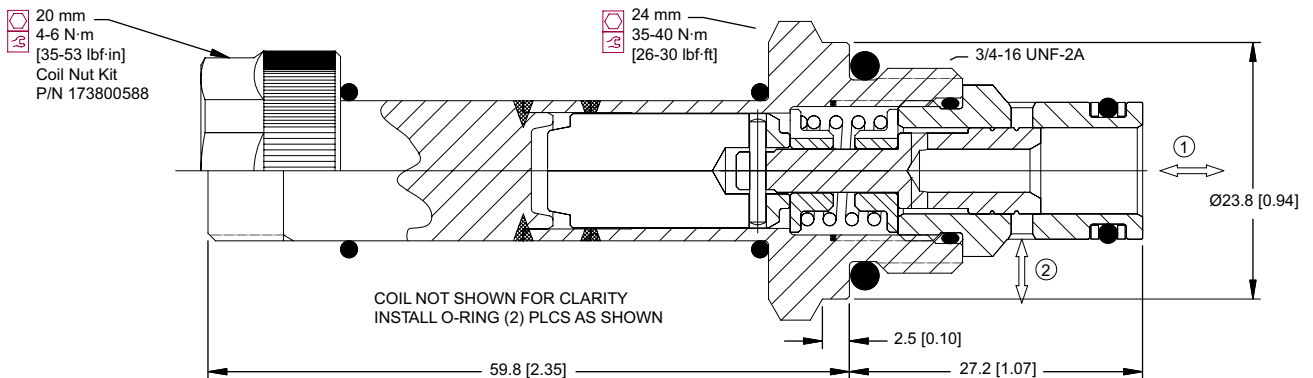


P102 388

DIMENSIONS

mm [in]

Cross-sectional view



ORDERING INFORMATION

SV08-22-02-12D-DN-B-00

Coil voltage

- 00 = No Coil
- 12D = 12 VDC (Standard Coil)
- 24D = 24 VDC (Standard Coil)
- R12D = 12 VDC (R-Coil)
- R24D = 24 VDC (R-Coil)

Coil termination:

- 00 = No Coil
- FL = Flying Lead
- DN = DIN 43650 *
- DE = Deutsch
- AJ = Amp Junior *
- SP = Spade *
- AS = AMP SuperSeal 1.5 and Metri-Pack 150 type 1

Body and ports

- 00 = Cartridge only
- DG2B = Al, 1/4 BSP
- DG3B = Al, 3/8 BSP
- 4S = Al, #4 SAE
- 6S = Al, #6 SAE
- Other housings available

Seals

- B = Buna-N
- V = Viton

Seal kit

- 354003119
- 354003619

Body Nomenclature

- No Body
- SDC08-2-DG-2B
- SDC08-2-DG-3B
- CP08-2-4S
- CP08-2-6S

P103 386E

* These terminations are not available on robust coil (R12D, R24D)

Solenoid valves
SV08-22-02



Cartridge Valves Technical Information

Solenoid valves

EDH 12/NC



OPERATION

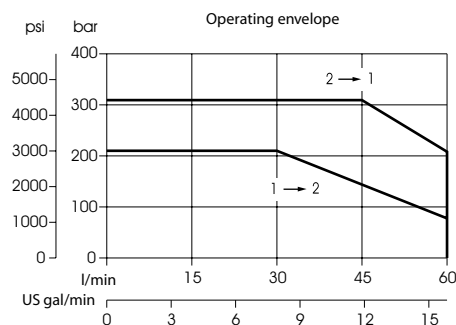
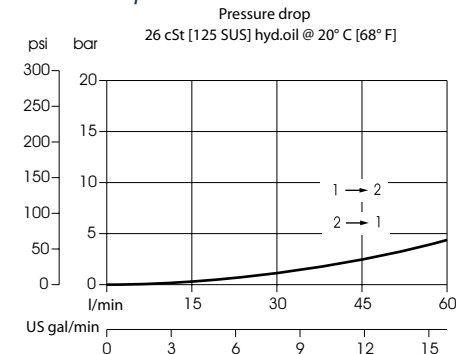
This is a normally-closed, direct-acting, 2-way, 2-position, spool-type solenoid valve.

SPECIFICATIONS

Specifications

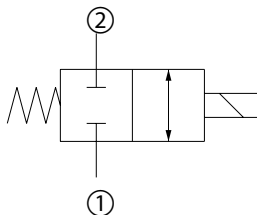
Rated pressure	210 bar [3000 psi]
Rated flow at 7 bar [100 psi]	30 l/min [8 US gal/min]
Weight	0.75 kg [1.65 lb]
Cavity	NCS12/2
Standard Coil	M19 33 Watt

Theoretical performance



P103 615E

Schematic

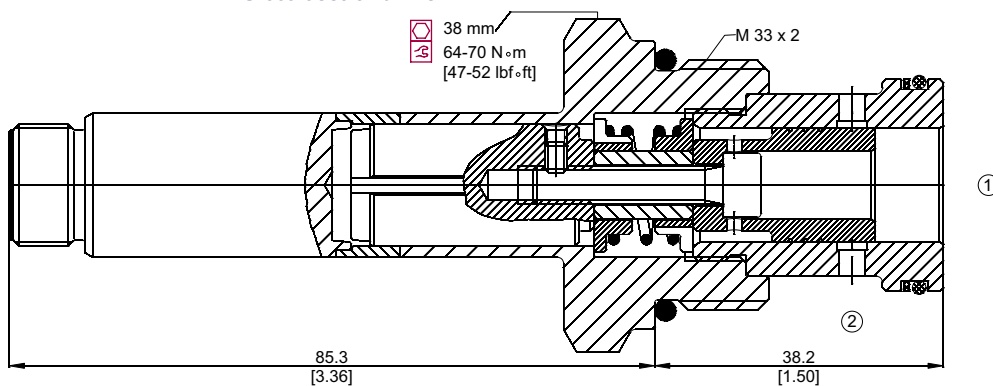


P102 388

DIMENSIONS

mm [in]

Cross-sectional view



P103 610

ORDERING INFORMATION

EDH 12 / NC - 24C - A - 00 - V

Voltage

- 00 = No coil
- 12C = 12 VDC coil
- 24C = 24 VDC coil

Termination

- 00 = No connector
- AMS = Amp Superseal 1.5
- A = DIN 43650
- FL600 = Lead Wires

Seals

- V = Viton
- Omit = Buna-N

Housing and ports

- 00 = No Housing
- DG1/2 = AL, 1/2 BSP
- DG3/4 = AL, 3/4 BSP
- DG8S = AL, #8 SAE
- DG12S = AL, #12 SAE
- Other housings available

Seal kit

- 230000360
- 230000120

Housing P/N

- No Housing
- NCS12/2-DG-1/2
- NCS12/2-DG-3/4
- NCS12/2-DG-8S
- NCS12/2-DG-12S

P103 734E



Cartridge Valves Technical Information

Solenoid valves

SV10-22-02



OPERATION

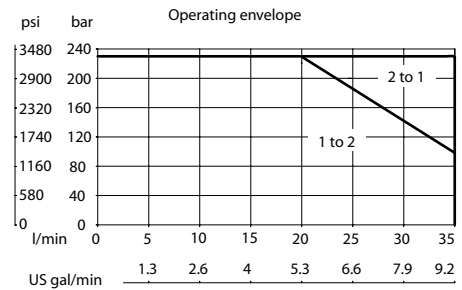
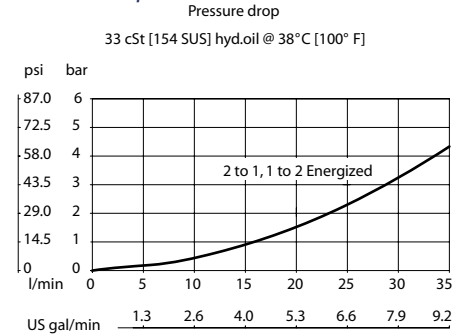
This is a normally-closed, direct-acting, 2-way, 2-position, spool-type solenoid valve.

SPECIFICATIONS

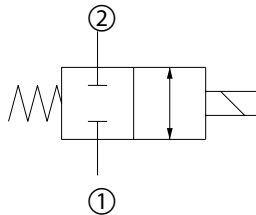
Specifications

Rated pressure	230 bar [3300 psi]
Rated flow at 7 bar [100 psi]	35 l/min [9 US gal/min]
Weight	0.43 kg [0.95 lb]
Cavity	SDC10-2
Standard Coil	M16 26 Watt
Robust Coil	R16 20 Watt

Theoretical performance



Schematic



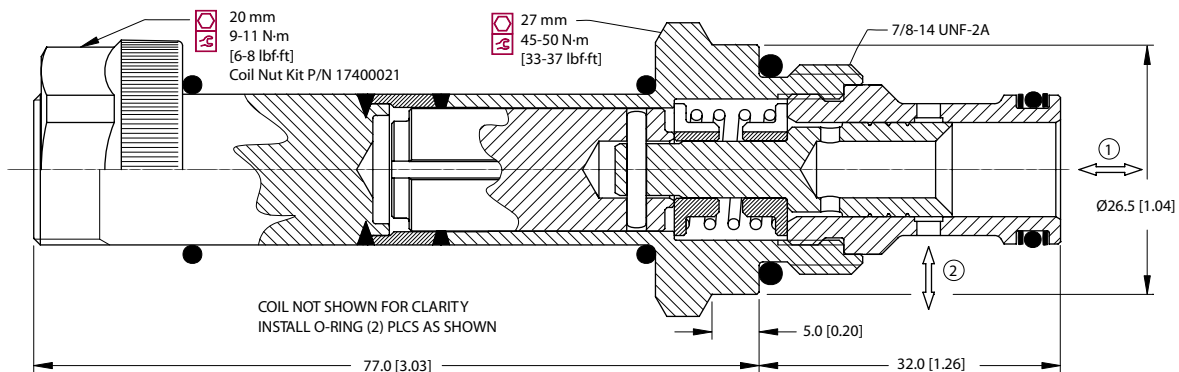
P102 388

P103 578E

DIMENSIONS

mm [in]

Cross-sectional view



P103 477

ORDERING INFORMATION

SV10-22-02-12D-DN-B-00

Coil voltage

- 00 = No Coil
- 12D = 12 VDC (Standard Coil)
- 24D = 24 VDC (Standard Coil)
- R12D = 12 VDC (R-Coil)
- R24D = 24 VDC (R-Coil)

Coil termination:

- 00 = No Coil
- FL = Flying Lead
- DN = DIN 43650 *
- DE = Deutsch
- AJ = Amp Junior *
- SP = Spade *
- AS = AMP SuperSeal 1.5 and Metri-Pack 150 type 1

Body and ports

- 00 = Cartridge only
- 6S = Al, #6 SAE
- 8S = Al, #8 SAE
- DG3B = Al, 3/8 BSP
- DG4B = Al, 1/2 BSP
- Other housings available

- | | |
|--------------|------------------|
| Seals | Seals kit |
| B = Buna-N | 354004019 |
| V = Viton | 354003419 |

Body Nomenclature

- No Body
- CP10-2-6S
- CP10-2-8S
- SDC10-2-DG3B
- SDC10-2-DG4B

P103 439E

* These terminations are not available on robust coil (R12D, R24D)

Solenoid valves
SV10-22-02



Cartridge Valves Technical Information

Solenoid valves

SV08-22-01



OPERATION

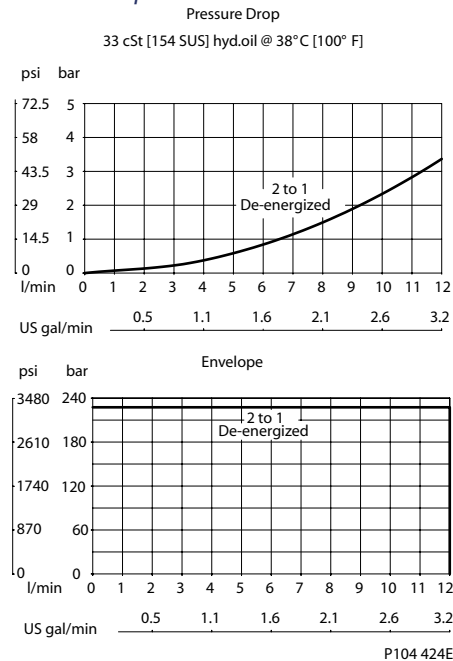
This is a normally-open, direct-acting, 2-way, 2-position, spool-type solenoid valve.

SPECIFICATIONS

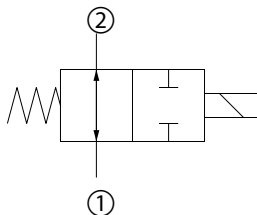
Specifications

Rated pressure	230 bar [3300 psi]
Rated flow at 7 bar [100 psi]	16 l/min [4 US gal/min]
Weight	0.29 kg [0.64 lb]
Cavity	SDC08-2
Standard Coil	M13 20 Watt
Robust Coil	R13 16 Watt

Theoretical performance



Schematic

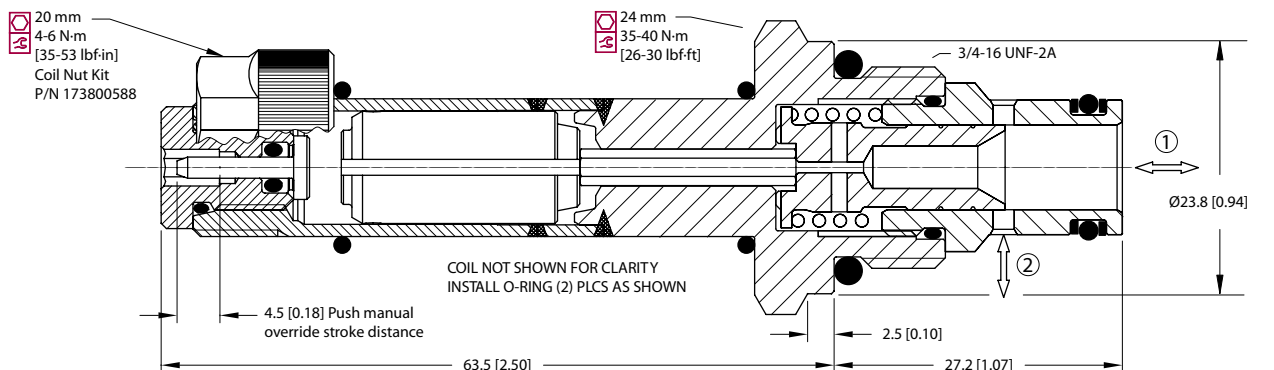


P102 389

DIMENSIONS

mm [in]

Cross-sectional view



ORDERING INFORMATION

SV08-22-01-12D-DN-B-00

Coil voltage

- 00 = No Coil
- 12D = 12 VDC (Standard Coil)
- 24D = 24 VDC (Standard Coil)
- R12D = 12 VDC (R-Coil)
- R24D = 24 VDC (R-Coil)

Coil termination:

- 00 = No Coil
- FL = Flying Lead
- DN = DIN 43650 *
- DE = Deutsch
- AJ = Amp Junior *
- SP = Spade *
- AS = AMP SuperSeal 1.5 and Metri-Pack 150 type 1

Body and ports

- 00 = Cartridge only
- DG2B = Al, 1/4 BSP
- DG3B = Al, 3/8 BSP
- 4S = Al, #4 SAE
- 6S = Al, #6 SAE
- Other housings available

Seals

- B = Buna-N 354003119
- V = Viton 354003619

Body Nomenclature

- No Body
- SDC08-2-DG-2B
- SDC08-2-DG-3B
- CP08-2-4S
- CP08-2-6S

P103 423E

* These terminations are not available on robust coil (R12D, R24D)



Cartridge Valves Technical Information

Solenoid valves

SV10-22-01



OPERATION

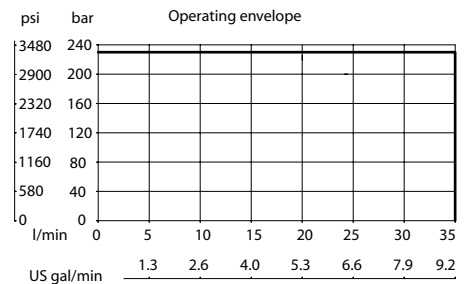
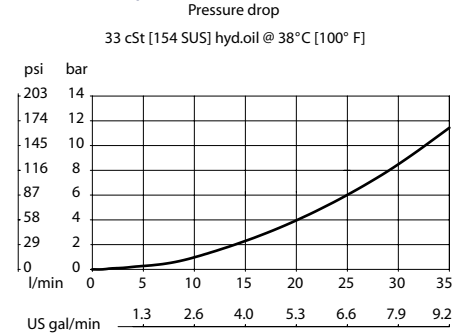
This is a normally-open, direct-acting, 2-way, 2-position, spool-type solenoid valve.

SPECIFICATIONS

Specifications

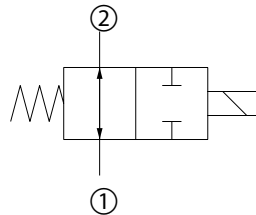
Rated pressure	230 bar [3300 psi]
Rated flow at 7 bar [100 psi]	27 l/min [7 US gal/min]
Weight	0.43 kg [0.95 lb]
Cavity	SDC10-2
Standard Coil	M16 26 Watt
Robust Coil	R16 20 Watt

Theoretical performance



P103 577E

Schematic

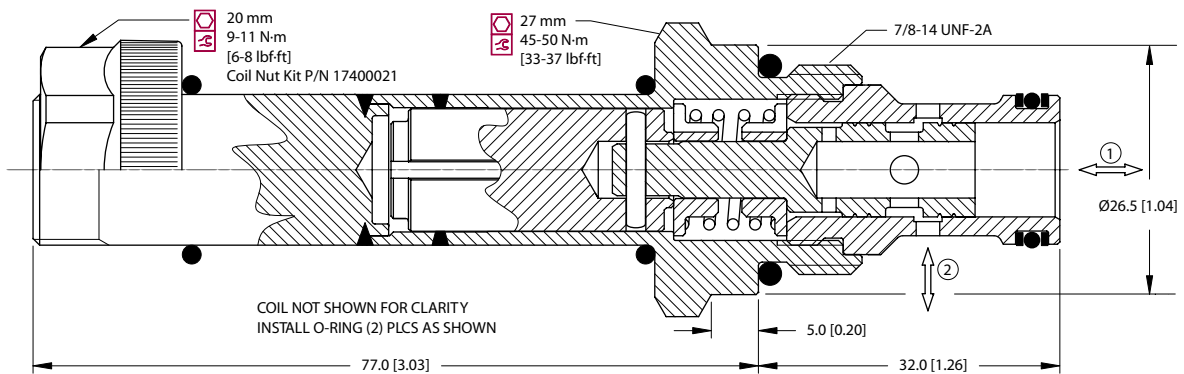


P102 389

DIMENSIONS

mm [in]

Cross-sectional view



P103 476

ORDERING INFORMATION

SV10-22-01-12D-DN-B-00

Coil voltage
 00 = No Coil
 12D = 12 VDC (Standard Coil)
 24D = 24 VDC (Standard Coil)
 R12D = 12 VDC (R-Coil)
 R24D = 24 VDC (R-Coil)
Coil termination:
 00 = No Coil
 FL = Flying Lead
 DN = DIN 43650 *
 DE = Deutsch
 AJ = Amp Junior *
 SP = Spade *
 AS = AMP SuperSeal 1.5 and Metri-Pack 150 type 1

Body and ports
 00 = Cartridge only
 6S = Al, #6 SAE
 8S = Al, #8 SAE
 DG3B = Al, 3/8 BSP
 DG4B = Al, 1/2 BSP
 Other housings available
Seals
 B = Buna-N
 V = Viton

Seals kit
 354004019
 354003419

Body Nomenclature
 No Body
 CP10-2-6S
 CP10-2-8S
 SDC10-2-DG3B
 SDC10-2-DG4B

P103 438E

* These terminations are not available on robust coil (R12D, R24D)

OPERATION

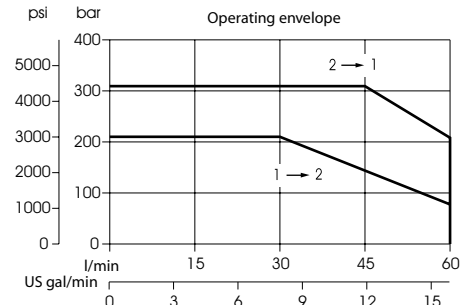
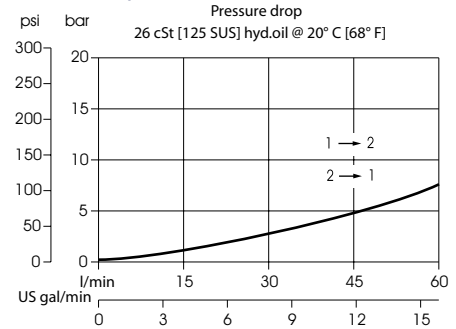
This is a normally-open, direct-acting, 2-way, 2-position, spool-type solenoid valve. Flow at rated pressure is 30 l/min [8 US gal/min]. See Operating Envelope.

SPECIFICATIONS

Specifications

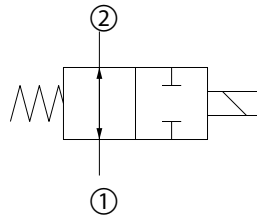
Rated pressure	210 bar [3000 psi]
Rated flow at 7 bar [100 psi]	30 l/min [8 US gal/min]
Weight	0.75 kg [1.65 lb]
Cavity	NCS12/2
Standard Coil	M19 33 Watt

Theoretical performance



P103 614E

Schematic

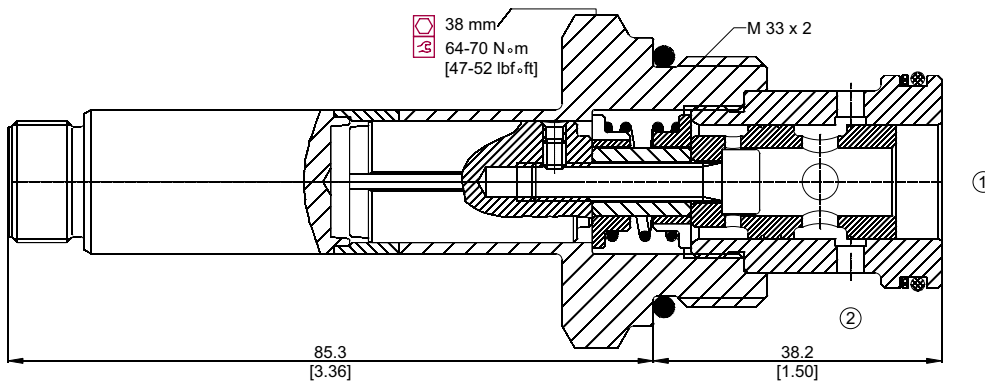


P102 389

DIMENSIONS

mm [in]

Cross-sectional view



P103 609

ORDERING INFORMATION

EDH 12 / NA - 24C - A - 00 - V

Voltage

- 00 = No Coil
- 12C = 12 VDC coil
- 24C = 24 VDC coil

Termination

- 00 = No Connector
- AMS = Amp Superseal 1.5
- A = DIN 43650
- FL600 = Lead Wires

Seals

- V = Viton
- Omit = Buna-N

Housing and ports

- 00 = No Housing
- DG1/2 = AL, 1/2 BSP
- DG3/4 = AL, 3/4 BSP
- DG8S = AL, #8 SAE
- DG12S = AL, #12 SAE
- Other housings available

Seal kit

- 230000360
- 230000120

Housing P/N

- No Housing
- NCS12/2-DG-1/2
- NCS12/2-DG-3/4
- NCS12/2-DG-8S
- NCS12/2-DG-12S

P103 735E

OPERATION

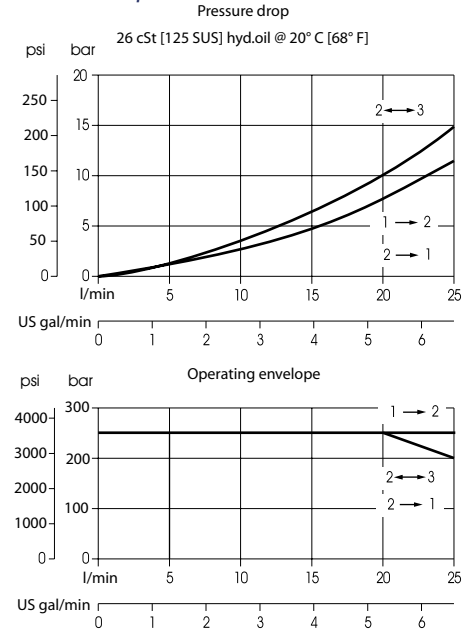
This is a direct-acting, 2-position, 3-way, poppet-type solenoid valve.

SPECIFICATIONS

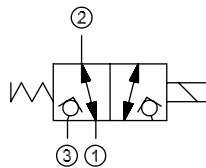
Specifications

Rated pressure	230 bar [3300 psi]
Rated flow at 7 bar [100 psi]	20 l/min [5 US gal/min]
Weight	0.44 kg [0.97 lb]
Cavity	NCS06/3
Standard Coil	M16 26 Watt
Robust Coil	R16 20 Watt

Theoretical performance



Schematic



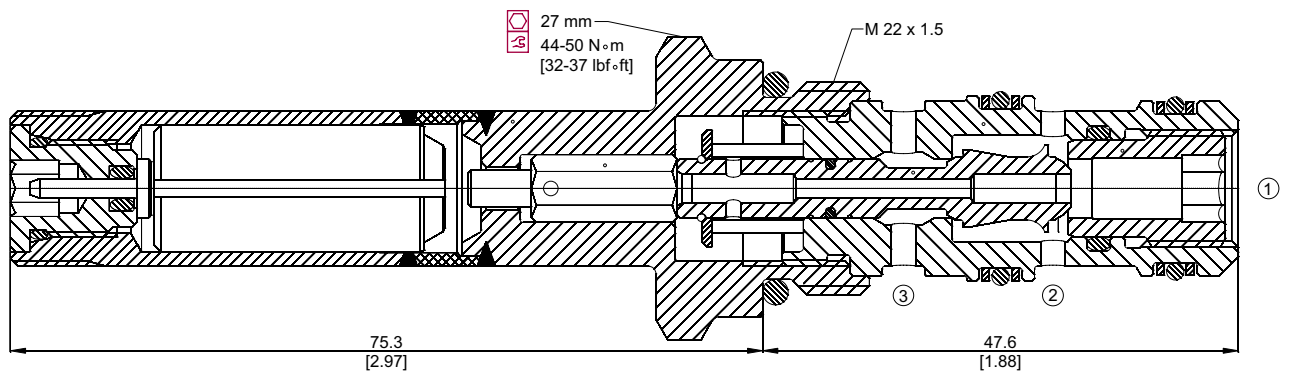
P103 536

P103 616E

DIMENSIONS

mm [in]

Cross-sectional view



P103 611

ORDERING INFORMATION

EVH 06/D5-12D-DN-00-B

Coil voltage
00 = No Coil
12D = 12 VDC (Standard Coil)
24D = 24 VDC (Standard Coil)
R12D = 12 VDC (R-Coil)
R24D = 24 VDC (R-Coil)
Coil termination:
00 = No Coil
FL = Flying Lead
AJ = Amp Junior *
DN = DIN 43650 *
DE = Deutsch
AS = AMP SuperSeal 1.5 and Metri-Pack 150 type 1

Seals
B = Buna-N
V = Viton

Seals kit
230000110
230000070

Body and ports
00 = Cartridge only
SE3/8 = Al, 3/8 BSP
SE1/2 = Al, 1/2 BSP
SE6S = Al, #6 SAE
SE8S = Al, #8 SAE
Other housings available

Body Nomenclature
No Body
NCS06/3-SE-3/8
NCS06/3-SE-1/2
NCS06/3-SE-6S
NCS06/3-SE-8S

P103 619E

* These terminations are not available on robust coil (R12D, R24D)



Cartridge Valves Technical Information

Solenoid valves

CP527-2



OPERATION

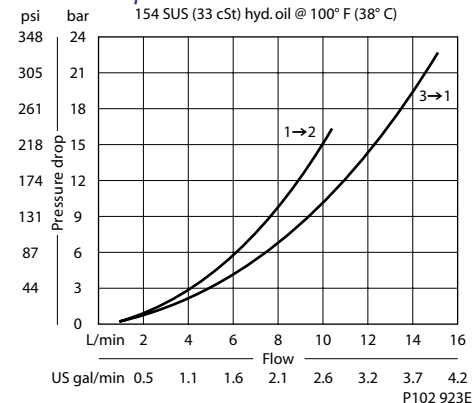
This valve is a direct acting, 2 position, 3 way spool type solenoid.

SPECIFICATIONS

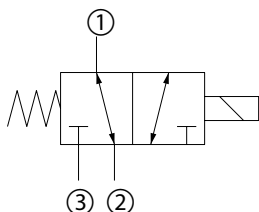
Specifications

Rated pressure	100 bar [1500 psi]
Rated flow at 7 bar [100 psi]	7 l/min [2 US gal/min]
Weight	0.27 kg [0.60 lb]
Cavity	CP07-3
Standard Coil	D08 16 Watt
Coil nut	321070

Theoretical performance



Schematic

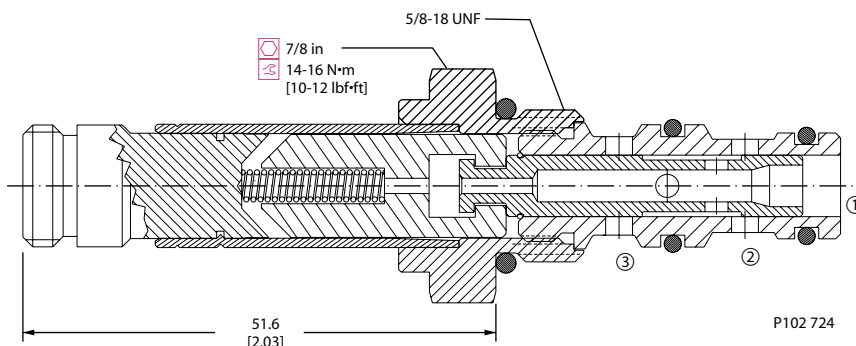


P102 720

DIMENSIONS

mm [in]

Cross-sectional view



P102 724

ORDERING INFORMATION

CP527 - 2 - B - 4S - 24D - S

Seals

B = Buna-N
V = Viton

Housing and ports
0 = No Housing
4S = Al, #4 SAE
6S = Al, #6 SAE

Seal kit
120649
120433

Housing P/N
No Housing
CP07-3-4S
CP07-3-6S

Termination

0 = No connector
S = Spade
L = Lead
H = DIN 43650
DE = Deutsch
M2 = MetriPak 150 Type 1
AJ = Amp Jr.

Voltage

000 = No coil
12D = 12 VDC
24D = 24 VDC

P102 725E



Cartridge Valves Technical Information

Solenoid valves

SV08-23-02



OPERATION

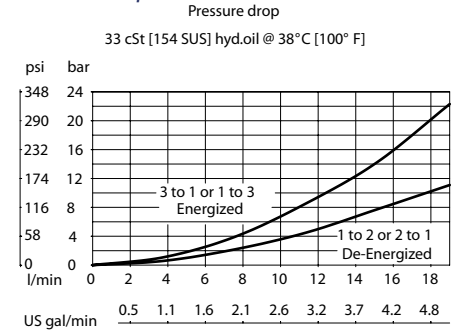
This is a direct-acting, 2-position, 3-way, spool-type solenoid valve.

SPECIFICATIONS

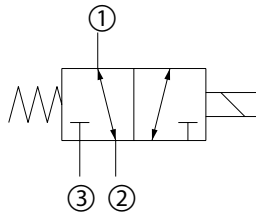
Specifications

Rated pressure	230 bar [3300 psi]
Rated flow at 7 bar [100 psi]	10 l/min [3 US gal/min]
Weight	0.31 kg [0.68 lb]
Cavity	SDC08-3
Standard Coil	M13 20 Watt
Robust Coil	R13 16 Watt

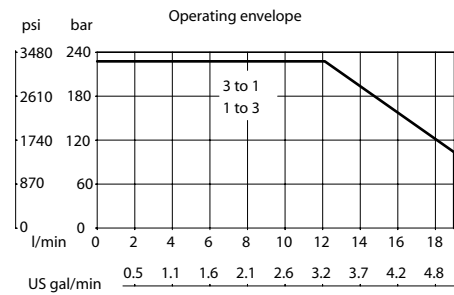
Theoretical performance



Schematic



P102 720

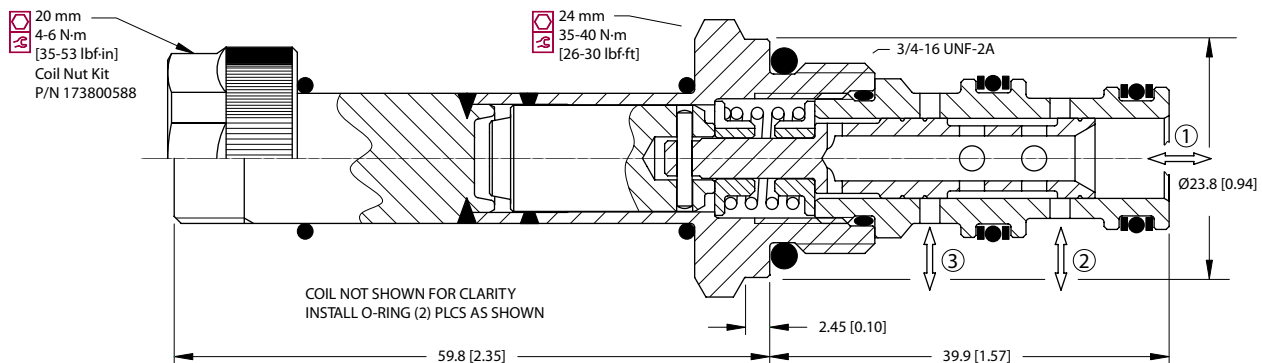


P103 565E

DIMENSIONS

mm [in]

Cross-sectional view



P103 464

ORDERING INFORMATION

SV08-23-02-12D-DN-B-00

Coil voltage

- 00 = No Coil
- 12D = 12 VDC (Standard Coil)
- 24D = 24 VDC (Standard Coil)
- R12D = 12 VDC (R-Coil)
- R24D = 24 VDC (R-Coil)

Coil termination:

- 00 = No Coil
- FL = Flying Lead
- DN = DIN 43650 *
- DE = Deutsch
- AJ = Amp Junior *
- SP = Spade *
- AS = AMP SuperSeal 1.5 and Metri-Pack 150 type 1

Body and ports

- 00 = Cartridge only
- SE2B = Al, 1/4 BSP
- SE3B = Al, 3/8 BSP
- 4S = Al, #4 SAE
- 6S = Al, #6 SAE
- Other housings available

Seals

- B = Buna-N 354003210
- V = Viton 354003819

Body Nomenclature

- No Body
- SDC08-3-SE2B
- SDC08-3-SE3B
- CP08-3-4S
- CP08-3-6S

P103 426E

* These terminations are not available on robust coil (R12D, R24D)

Solenoid valves
SV08-23-02



Cartridge Valves Technical Information

Solenoid valves

SV10-23-02



OPERATION

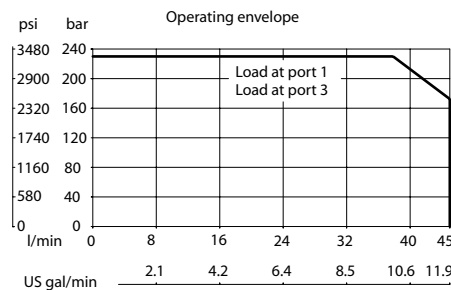
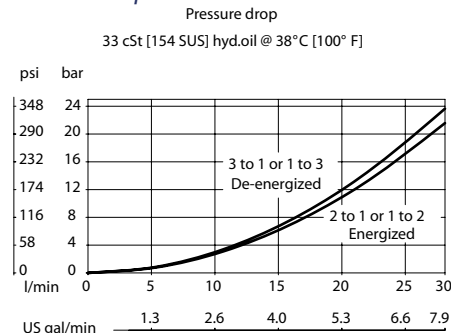
This is a direct-acting, 2-position, 3-way, spool-type solenoid valve.

SPECIFICATIONS

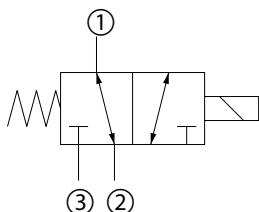
Specifications

Rated pressure	230 bar [3300 psi]
Rated flow at 7 bar [100 psi]	15 l/min [4 US gal/min]
Weight	0.42 kg [0.93 lb]
Cavity	SDC10-3
Standard Coil	M16 26 Watt
Robust Coil	R16 20 Watt

Theoretical performance



Schematic



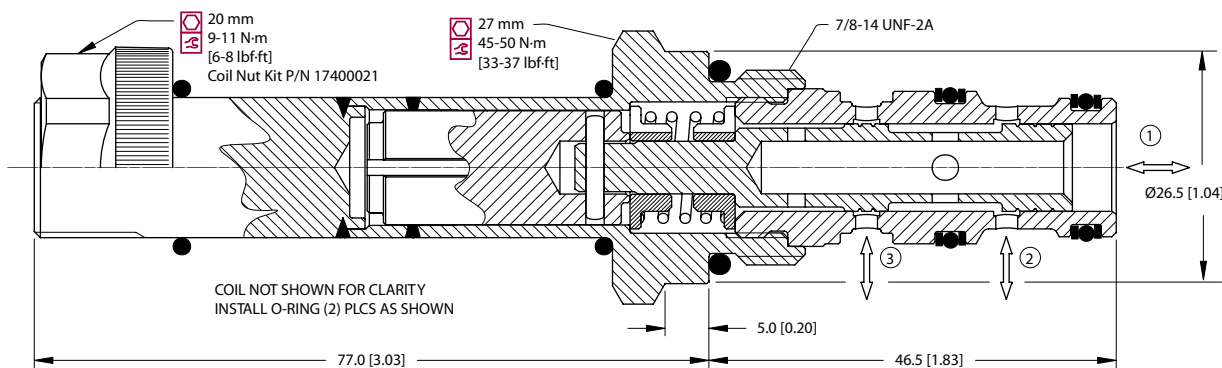
P102 720

P103 580E

DIMENSIONS

mm [in]

Cross-sectional view



P103 479

ORDERING INFORMATION

SV10-23-02-12D-DN-B-00

Coil voltage

- 00 = No Coil
- 12D = 12 VDC (Standard Coil)
- 24D = 24 VDC (Standard Coil)
- R12D = 12 VDC (R-Coil)
- R24D = 24 VDC (R-Coil)

Coil termination:

- 00 = No Coil
- FL = Flying Lead
- DN = DIN 43650 *
- DE = Deutsch
- AJ = Amp Junior *
- SP = Spade *
- AS = AMP SuperSeal 1.5 and Metri-Pack 150 type 1

Body and ports

- 00 = Cartridge only
- 6S = Al, #6 SAE
- 8S = Al, #8 SAE
- SE3B = Al, 3/8 BSP
- SE4B = Al, 1/2 BSP
- Other housings available

Seals

- B = Buna-N
- V = Viton

Seals kit

- 354004210
- 354003719

Body Nomenclature

- No Body
- CP10-3-6S
- CP10-3-8S
- SDC10-3-SE3B
- SDC10-3-SE4B

P103 441E

* These terminations are not available on robust coil (R12D, R24D)



Cartridge Valves Technical Information

Solenoid valves

SV08-23-01



OPERATION

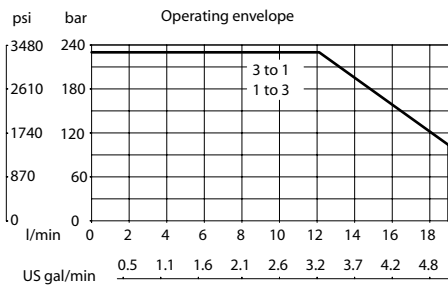
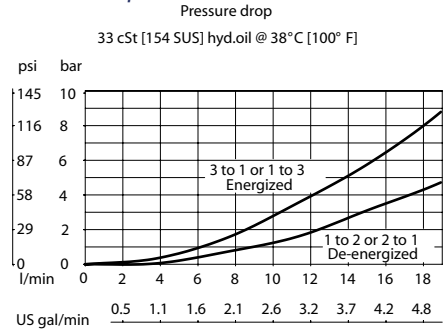
This is a direct-acting, 2-position, 3-way, spool-type solenoid valve.

SPECIFICATIONS

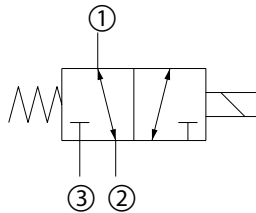
Specifications

Rated pressure	230 bar [3300 psi]
Rated flow at 7 bar [100 psi]	17 l/min [5 US gal/min]
Weight	0.31 kg [0.68 lb]
Cavity	SDC08-3
Standard Coil	M13 20 Watt
Robust Coil	R13 16 Watt

Theoretical performance



Schematic

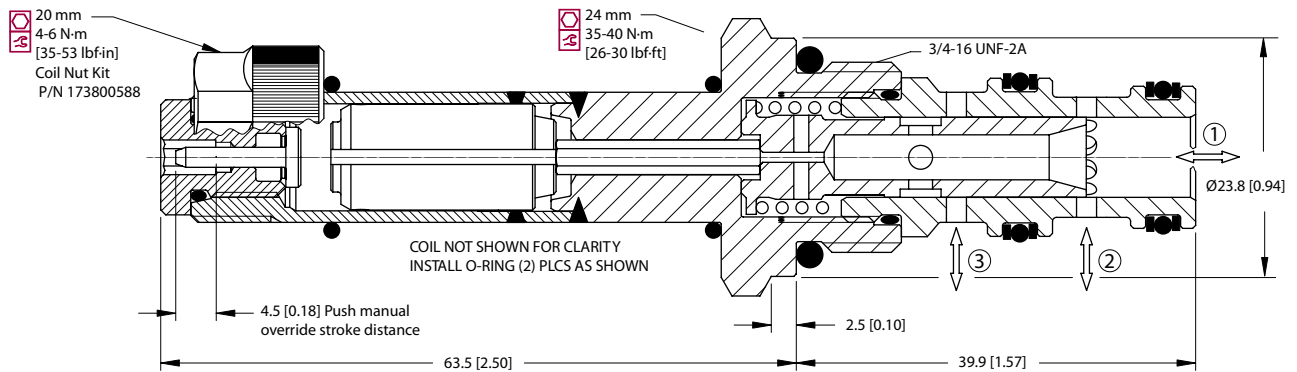


P102 720

DIMENSIONS

mm [in]

Cross-sectional view



P103 463

ORDERING INFORMATION

SV08-23-01-12D-DN-B-00

Coil voltage
00 = No Coil
12D = 12 VDC (Standard Coil)
24D = 24 VDC (Standard Coil)
R12D = 12 VDC (R-Coil)
R24D = 24 VDC (R-Coil)

Coil termination:
00 = No Coil
FL = Flying Lead
DN = DIN 43650 *
DE = Deutsch
AJ = Amp Junior *
SP = Spade *
AS = AMP SuperSeal 1.5 and Metri-Pack 150 type 1

Body and ports
00 = Cartridge only
SE2B = AI, 1/4 BSP
SE3B = AI, 3/8 BSP
4S = AI, #4 SAE
6S = AI, #6 SAE
Other housings available

Seals
B = Buna-N
V = Viton

Seals kit
354003210
354003819

Body Nomenclature
No Body
SDC08-3-SE2B
SDC08-3-SE3B
CP08-3-4S
CP08-3-6S

P103 425E

* These terminations are not available on robust coil (R12D, R24D)



Cartridge Valves Technical Information

Solenoid valves

SV10-23-01



OPERATION

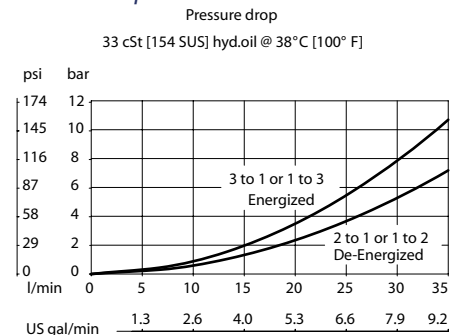
This is a direct-acting, 2-position, 3-way, spool-type solenoid valve.

SPECIFICATIONS

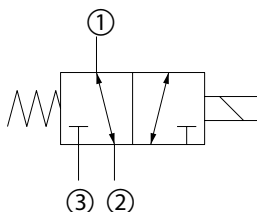
Specifications

Rated pressure	230 bar [3300 psi]
Rated flow at 7 bar [100 psi]	28 l/min [7 US gal/min]
Weight	0.42 kg [0.93 lb]
Cavity	SDC10-3
Standard Coil	M16 26 Watt
Robust Coil	R16 20 Watt

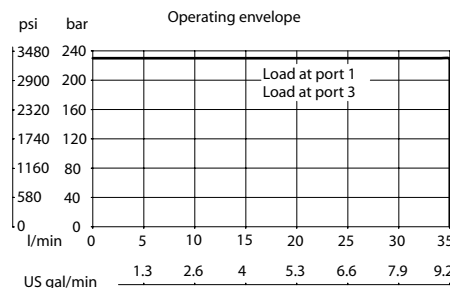
Theoretical performance



Schematic



P102 720

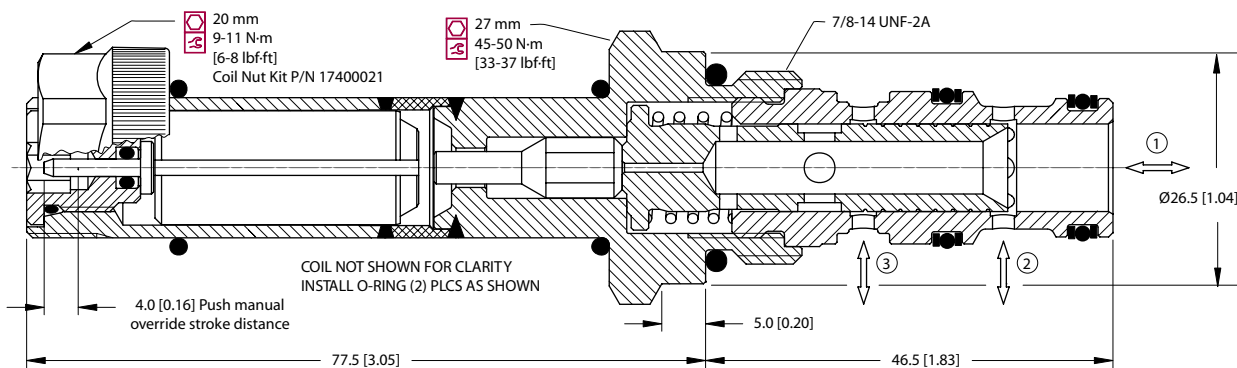


P103 579E

DIMENSIONS

mm [in]

Cross-sectional view



P103 478

ORDERING INFORMATION

SV10-23-01-12D-DN-B-00

Coil voltage

- 00 = No Coil
- 12D = 12 VDC (Standard Coil)
- 24D = 24 VDC (Standard Coil)
- R12D = 12 VDC (R-Coil)
- R24D = 24 VDC (R-Coil)

Coil termination:

- 00 = No Coil
- FL = Flying Lead
- DN = DIN 43650 *
- DE = Deutsch
- AJ = Amp Junior *
- SP = Spade *
- AS = AMP SuperSeal 1.5 and Metri-Pack 150 type 1

Body and ports

- 00 = Cartridge only
- 6S = Al, #6 SAE
- 8S = Al, #8 SAE
- SE3B = Al, 3/8 BSP
- SE4B = Al, 1/2 BSP
- Other housings available

- Seals kit
- B = Buna-N 354004210
 - V = Viton 354003719

Body Nomenclature

- No Body
- CP10-3-6S
- CP10-3-8S
- SDC10-3-SE3B
- SDC10-3-SE4B

P103 440E

* These terminations are not available on robust coil (R12D, R24D)

Solenoid valves SV10-23-01



Cartridge Valves Technical Information

Solenoid valves

EDH 12/3204



OPERATION

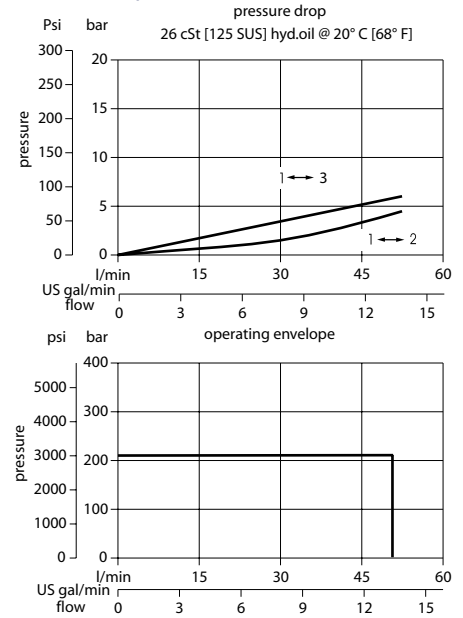
This is a direct-acting, 2-position, 3-way, spool-type solenoid valve.

SPECIFICATIONS

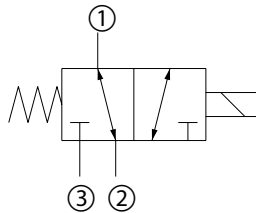
Specifications

Rated pressure	210 bar [3000 psi]
Rated flow at 7 bar [100 psi]	50 l/min [13 US gal/min]
Weight	0.89 kg [1.96 lb]
Cavity	NCS12/3
Standard Coil	M19 33 Watt

Theoretical performance



Schematic

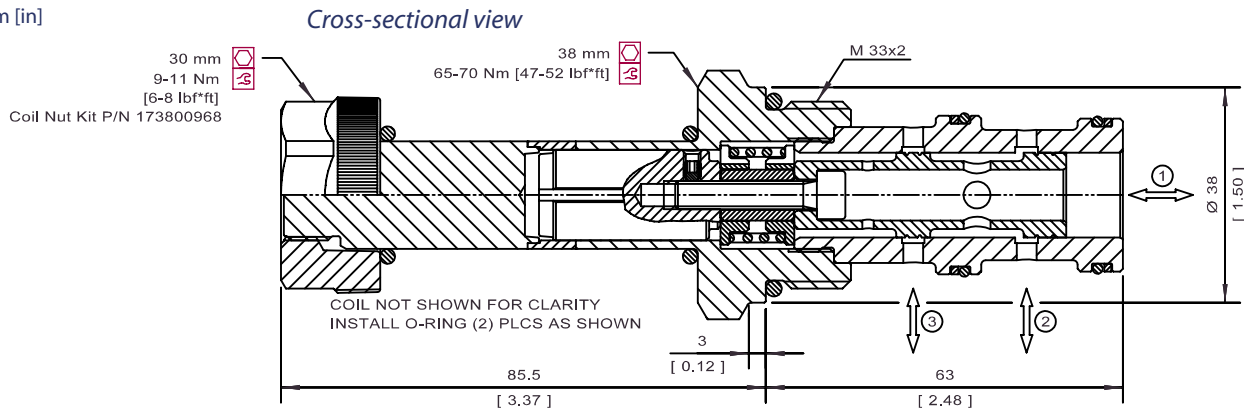


P102 720

P103 840E

DIMENSIONS

mm [in]



P103 900E

ORDERING INFORMATION

EDH 12 / 32 04 - 24C - A - 00 - V

Voltage
00 = No coil
12C = 12 VDC
24C = 24 VDC

Termination
0 = No connector
A = DIN 43650
AMS = Amp SuperSeal
FL600 = Flying leads

Seals
V = Viton
Omit = Buna-N

Housing and ports
00 = No Housing
SE1/2 = AL, 1/2 BSP
SE3/4 = AL, 3/4 BSP
SE8S = AL, #8 SAE
SE12S = AL, #12 SAE
Other housings available

Seal kit
230000360
230000130

Housing P/N
No Housing
NCS12/3-SE-1/2
NCS12/3-SE-3/4
NCS12/3-SE-8S
NCS12/3-SE-12S

P103 805E



Cartridge Valves Technical Information

Solenoid valves

CP521-21



OPERATION

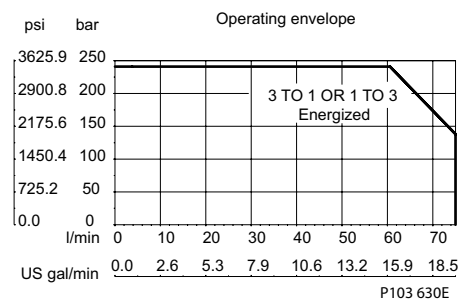
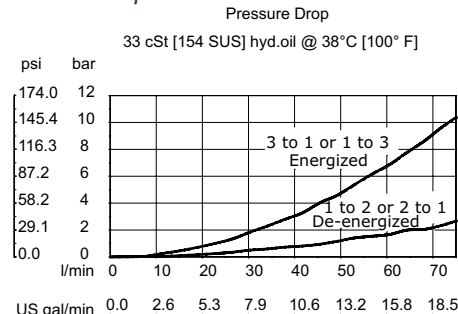
This is a direct-acting, 2-position, 3-way, spool-type solenoid valve.

SPECIFICATIONS

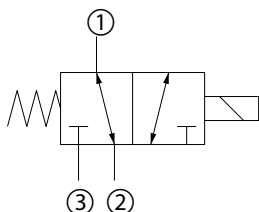
Specifications

Rated pressure	240 bar [3500 psi]
Rated flow at 7 bar [100 psi]	60 l/min [16 US gal/min]
Weight	0.80 kg [1.76 lb]
Cavity	CP12-3
Standard Coil	D14E 30 Watt
Coil nut	321567

Theoretical performance



Schematic

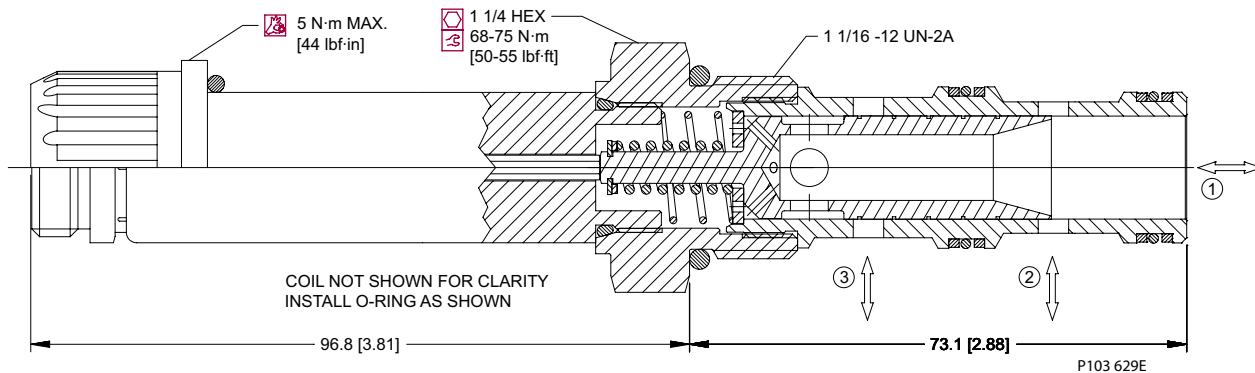


P102 720

DIMENSIONS

mm [in]

Cross-sectional view



ORDERING INFORMATION

CP521-21-B-10S-24D-S

Seals

B = Buna-N
V = Viton

Seal kit
120053
120052

Housing and ports

0 = No Housing
4B = AL, 1/2 BSP
6B = AL, 3/4 BSP
10S = AL, #10 SAE
12S = AL, #12 SAE

Housing P/N

No Housing
CP12-3-4B
CP12-3-6B
CP12-3-10S
CP12-3-12S

Termination

0 = No connector
S = Spade
L = Lead wire
H = DIN 43640
M2 = Metripak 150 Type 1
DE = Deutsch
AJ = Amp Junior

Coil Voltage

000 = No coil
12D = 12 VDC
24D = 24 VDC

Solenoid valves
CP521-21

P103 631E



Cartridge Valves Technical Information

Solenoid valves

SV08-23-03



OPERATION

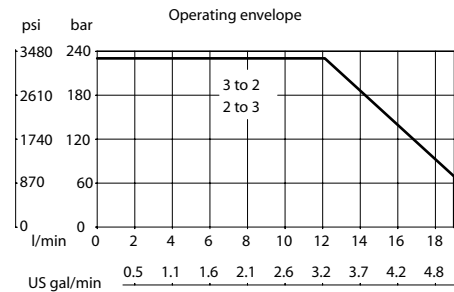
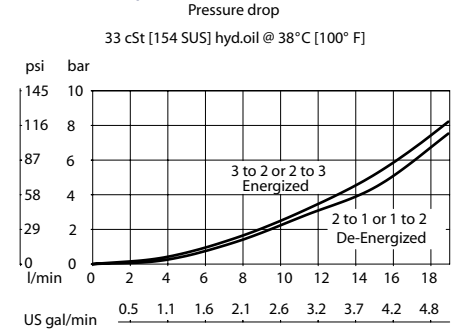
This is a direct-acting, 2-position, 3-way, spool-type solenoid valve.

SPECIFICATIONS

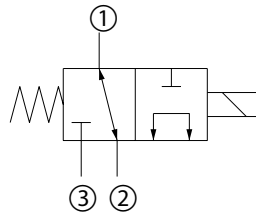
Specifications

Rated pressure	230 bar [3300 psi]
Rated flow at 7 bar [100 psi]	18 l/min [5 US gal/min]
Weight	0.31 kg [0.68 lb]
Cavity	SDC08-3
Standard Coil	M13 20 Watt
Robust Coil	R13 16 Watt

Theoretical performance



Schematic



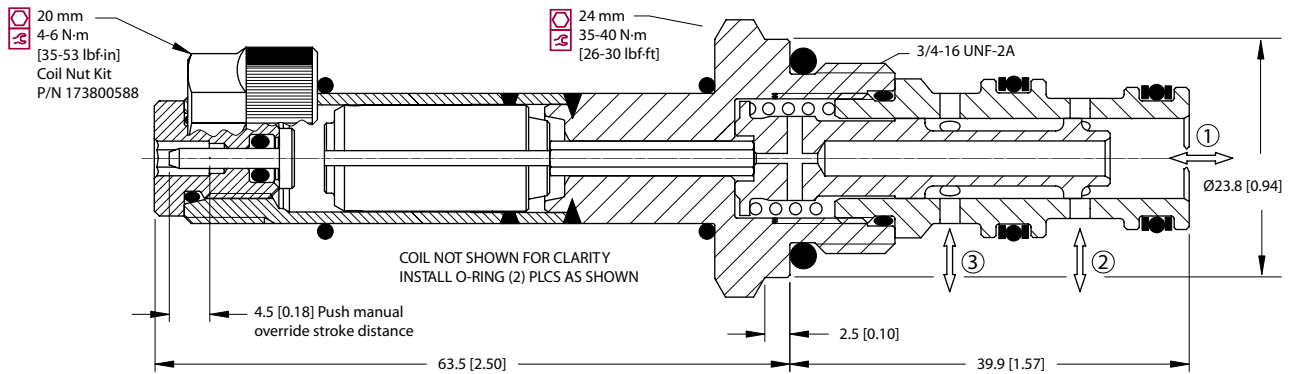
P102 392

P103 566E

DIMENSIONS

mm [in]

Cross-sectional view



P103 465

ORDERING INFORMATION

SV08-23-03-12D-DN-B-00

- Coil voltage**
 00 = No Coil
 12D = 12 VDC (Standard Coil)
 24D = 24 VDC (Standard Coil)
 R12D = 12 VDC (R-Coil)
 R24D = 24 VDC (R-Coil)
- Coil termination:**
 00 = No Coil
 FL = Flying Lead
 DN = DIN 43650 *
 DE = Deutsch
 AJ = Amp Junior *
 SP = Spade *
 AS = AMP SuperSeal 1.5 and Metri-Pack 150 type 1

- Body and ports**
 00 = Cartridge only
 SE2B = AI, 1/4 BSP
 SE3B = AI, 3/8 BSP
 4S = AI, #4 SAE
 6S = AI, #6 SAE
 Other housings available

- Seals**
 B = Buna-N
 V = Viton

- Body Nomenclature**
 No Body
 SDC08-3-SE2B
 SDC08-3-SE3B
 CP08-3-4S
 CP08-3-6S

P103 427E

* These terminations are not available on robust coil (R12D, R24D)



Cartridge Valves Technical Information

Solenoid valves

SV08-23-04



OPERATION

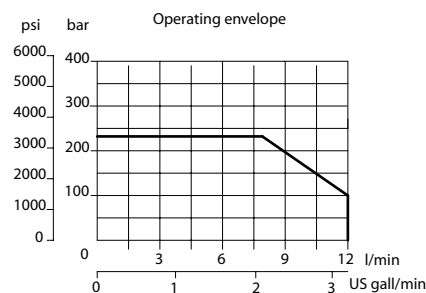
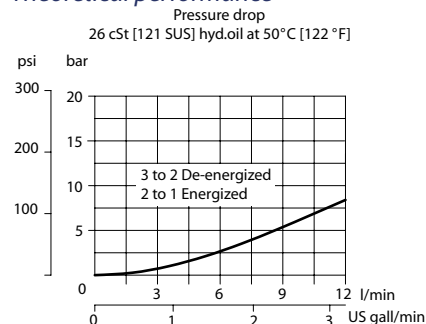
This is a direct-acting, 2-position, 3-way, spool-type solenoid valve.

SPECIFICATIONS

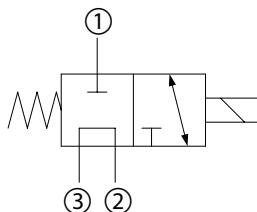
Specifications

Rated pressure	230 bar [3300 psi]
Rated flow at 7 bar [100 psi]	10 l/min [3 US gal/min]
Weight	0.31 kg [0.68 lb]
Cavity	SDC08-3
Standard Coil	M13 20 Watt
Robust Coil	R13 16 Watt

Theoretical performance



Schematic



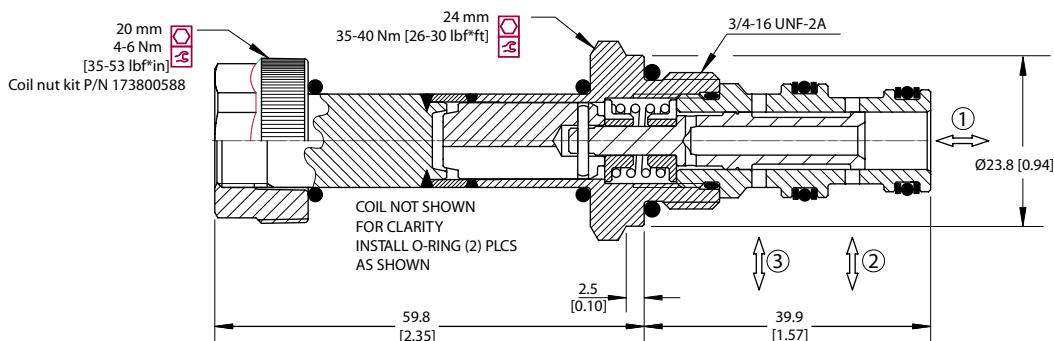
P103 232

P103 567E

DIMENSIONS

mm [in]

Cross-sectional view



P103 466

ORDERING INFORMATION

SV08-23-04-12D-DN-B-00

Coil voltage

- 00 = No Coil
- 12D = 12 VDC (Standard Coil)
- 24D = 24 VDC (Standard Coil)
- R12D = 12 VDC (R-Coil)
- R24D = 24 VDC (R-Coil)

Coil termination:

- 00 = No Coil
- FL = Flying Lead
- DN = DIN 43650 *
- DE = Deutsch
- AJ = Amp Junior *
- SP = Spade *
- AS = AMP SuperSeal 1.5 and Metri-Pack 150 type 1

Body and ports

- 00 = Cartridge only
- SE2B = Al, 1/4 BSP
- SE3B = Al, 1/4 BSP
- 4S = Al, #4 SAE
- 6S = Al, #6 SAE
- Other housings available

Seals

- B = Buna-N
- V = Viton

Body Nomenclature

- No Body
- SDC08-3-SE2B
- SDC08-3-SE3B
- CP08-3-4S
- CP08-3-6S

P103 428E

* These terminations are not available on robust coil (R12D, R24D)



Cartridge Valves Technical Information

Solenoid valves

SV10-23-04



OPERATION

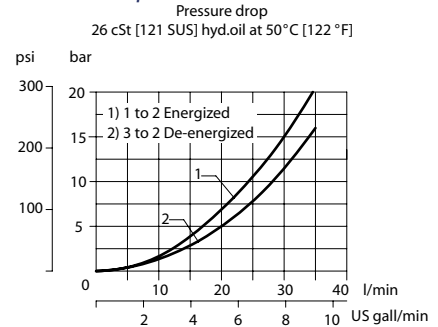
This is a direct-acting, 2-position, 3-way, spool-type solenoid valve.

SPECIFICATIONS

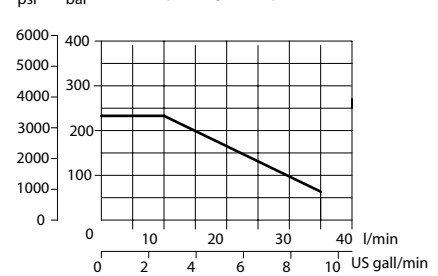
Specifications

Rated pressure	230 bar [3300 psi]
Rated flow at 7 bar [100 psi]	20 l/min [5 US gal/min]
Weight	0.42 kg [0.93 lb]
Cavity	SDC10-3
Standard Coil	M16 26 Watt
Robust Coil	R16 20 Watt

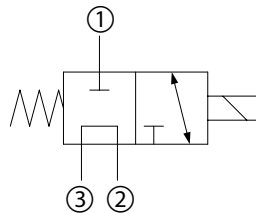
Theoretical performance



Operating envelope



Schematic



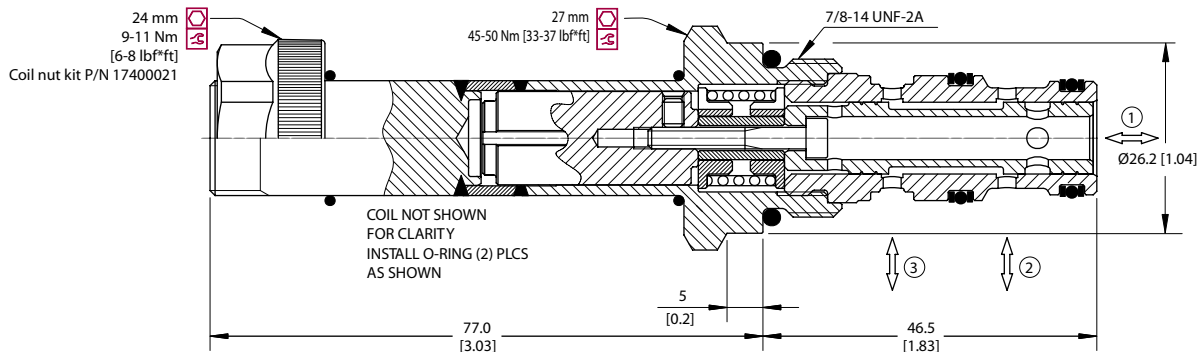
P103 232

P103 581E

DIMENSIONS

mm [in]

Cross-sectional view



P103 480

ORDERING INFORMATION

SV10-24-05-12D-DN-B-00

Coil voltage

- 00 = No Coil
- 12D = 12 VDC (Standard Coil)
- 24D = 24 VDC (Standard Coil)
- R12D = 12 VDC (R-Coil)
- R24D = 24 VDC (R-Coil)

Coil termination:

- 00 = No Coil
- FL = Flying Lead
- DN = DIN 43650 *
- DE = Deutsch
- AJ = Amp Junior *
- SP = Spade *
- AS = AMP SuperSeal 1.5 and Metri-Pack 150 type 1

Body and ports

- 00 = Cartridge only
- 6S = Al, #6 SAE
- 8S = Al, #8 SAE
- L3B = Al, 3/8 BSP
- L4B = Al, 1/2 BSP
- Other housings available

Seals

- B = Buna-N
- V = Viton

Seals kit

- 354001919
- 354002019

Body Nomenclature

- No Body
- CP10-4-6S
- CP10-4-8S
- SDC10-4-L3B
- SDC10-4-L4B

P103 442E

* These terminations are not available on robust coil (R12D, R24D)

Solenoid valves
SV10-23-04

OPERATION

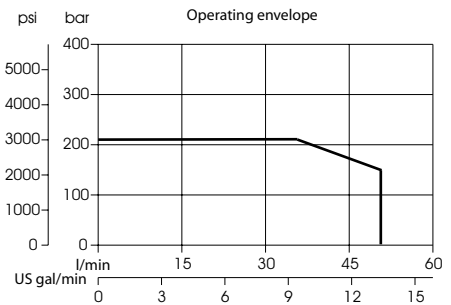
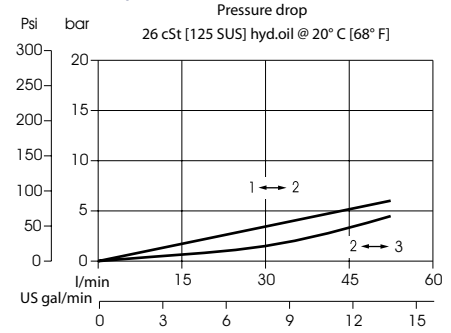
This is a direct-acting, 3-position, 3-way, spool-type solenoid valve.

SPECIFICATIONS

Specifications

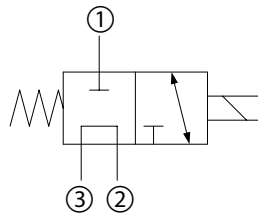
Rated pressure	210 bar [3000 psi]
Rated flow at 7 bar [100 psi]	50 l/min [13 US gal/min]
Weight	0.89 kg [1.96 lb]
Cavity	NCS12/3
Standard Coil	M19 33 Watt

Theoretical performance



P103 613E

Schematic

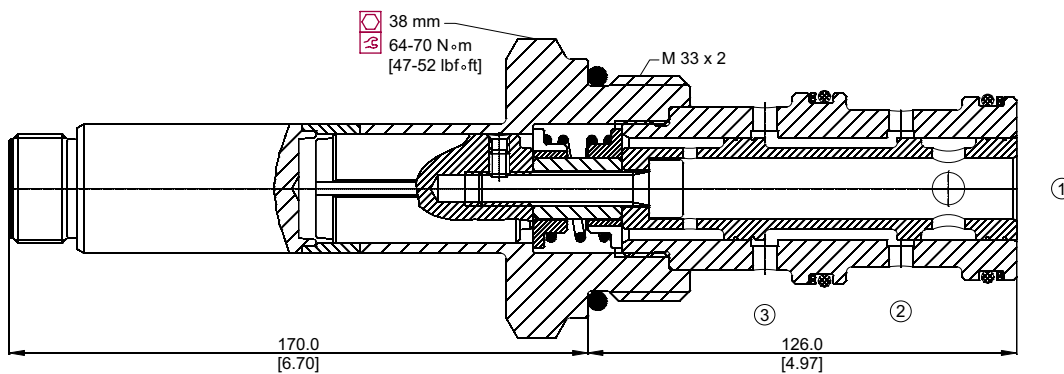


P103 232

DIMENSIONS

mm [in]

Cross-sectional view



P103 608

ORDERING INFORMATION

EDH 12 / 32 01 - 24D - A - 00 - V

Voltage

- 00 = No coil
- 12C = 12 VDC coil
- 24C = 24 VDC coil

Termination

- 00 = no coil
- AMS = Amp Superseal 1.5
- A = DIN 43650
- FL600 = Lead Wires

Seals

- V = Viton
- Omit = Buna-N

Seal kit

- 230000360
- 230000130

Housing and ports

- 00 = No Housing
- SE1/2 = AL, 1/2 BSP
- SE3/4 = AL, 3/4 BSP
- SE8S = AL, #8 SAE
- SE12S = AL, #12 SAE
- Other housings available

Housing P/N

- No Housing
- NCS12/3-SE-1/2
- NCS12/3-SE-3/4
- NCS12/3-SE-8S
- NCS12/3-SE-12S

P103 618E



Cartridge Valves Technical Information

Solenoid valves

EDH 12/3302



OPERATION

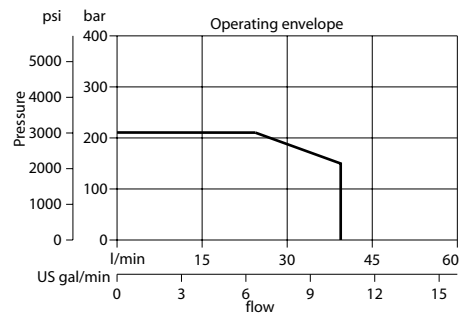
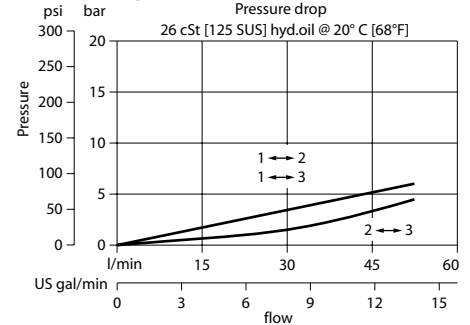
This is a direct-acting, 3-position, 3-way, spool-type solenoid valve.

SPECIFICATIONS

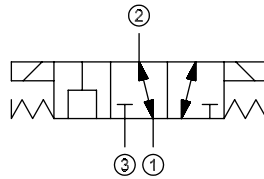
Specifications

Rated pressure	210 bar [3000 psi]
Rated flow at 7 bar [100 psi]	40 l/min [11 US gal/min]
Weight	1.35 kg [2.98 lb]
Cavity	NCS12/3
Standard Coil	M19 33 Watt

Theoretical performance



Schematic



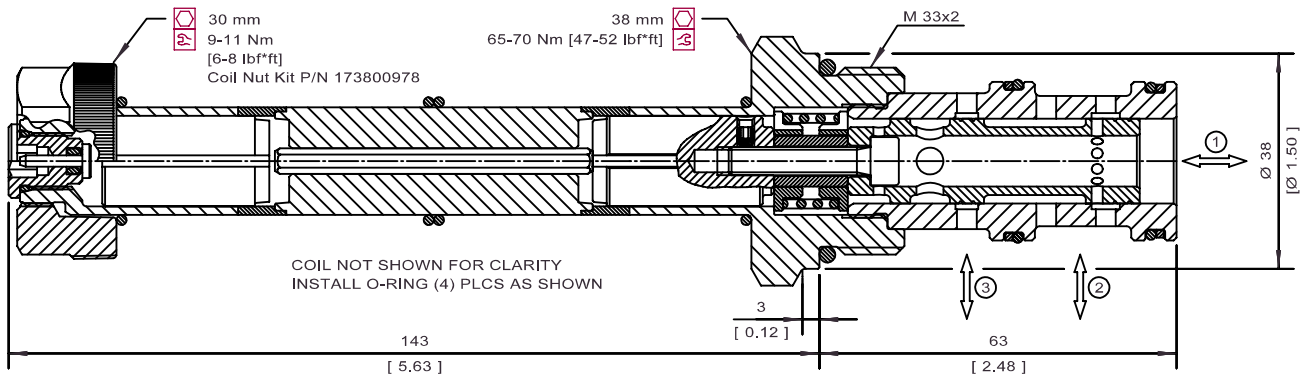
P103 531

P103 799E

DIMENSIONS

mm [in]

Cross-sectional view



P103 901E

ORDERING INFORMATION

EDH 12 / 33 02 - 24C - A - 00 - V

Voltage
00 = No coil
12C = 12 VDC coil
24C = 24 VDC coil

Termination
00 = No coil
AMS = Amp Superseal 1.5
A = DIN 43650
FL600 = Lead Wires

Seals
V = Viton
Omit = Buna-N

Seal kit
230000360
230000130

Housing and ports
00 = No Housing
SE1/2 = AL, 1/2 BSP
SE3/4 = AL, 3/4 BSP
SE8S = AL, #8 SAE
SE12S = AL, #12 SAE
Other housings available

Housing P/N
No Housing
NCS12/3-SE-1/2
NCS12/3-SE-3/4
NCS12/3-SE-8S
NCS12/3-SE-12S

P103 800E



Cartridge Valves Technical Information

Solenoid valves

EDH 12/3303



OPERATION

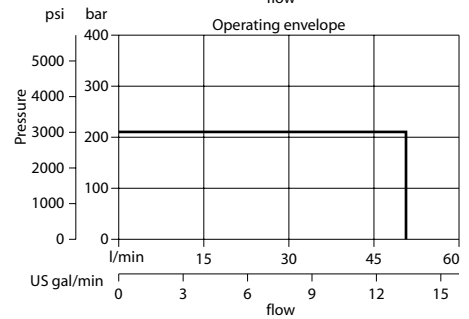
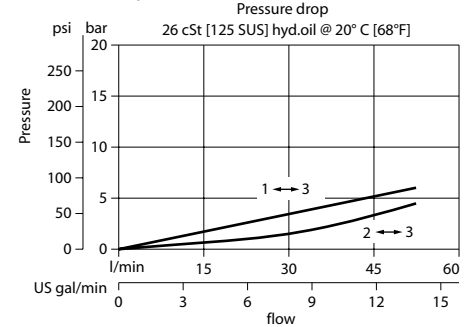
This is a direct-acting, 3-position, 3-way, spool-type solenoid valve.

SPECIFICATIONS

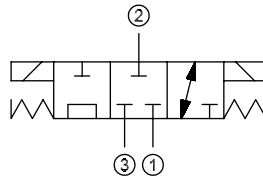
Specifications

Rated pressure	210 bar [3000 psi]
Rated flow at 7 bar [100 psi]	50 l/min [13 US gal/min]
Weight	1.35 kg [2.98 lb]
Cavity	NCS12/3
Standard Coil	M19 33 Watt

Theoretical performance



Schematic



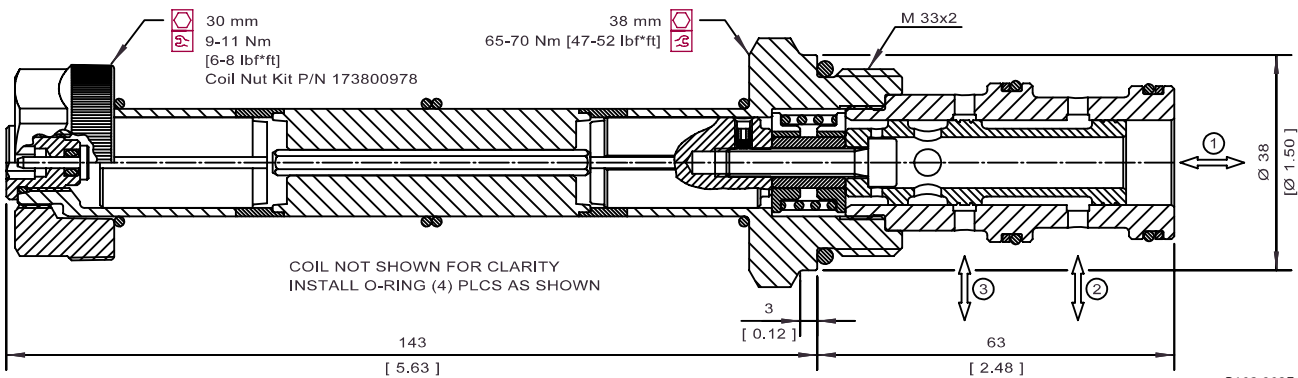
P103 532

P103 801E

DIMENSIONS

mm [in]

Cross-sectional view



P103 902E

ORDERING INFORMATION

EDH 12 / 33 03 - 24C - A - 00 - V

Voltage
 00 = No coil
 12C = 12 VDC coil
 24C = 24 VDC coil

Termination
 00 = No coil
 AMS = Amp Superseal 1.5
 A = DIN 43650
 FL600 = Lead Wires

Seals
 V = Viton
 Omit = Buna-N

Housing and ports
 00 = No Housing
 SE1/2 = AL, 1/2 BSP
 SE3/4 = AL, 3/4 BSP
 SE8S = AL, #8 SAE
 SE12S = AL, #12 SAE
 Other housings available

Seal kit
 230000360
 230000130

Housing P/N
 No Housing
 NCS12/3-SE-1/2
 NCS12/3-SE-3/4
 NCS12/3-SE-8S
 NCS12/3-SE-12S

P103 802E



Cartridge Valves Technical Information

Solenoid valves

SV08-24-01



OPERATION

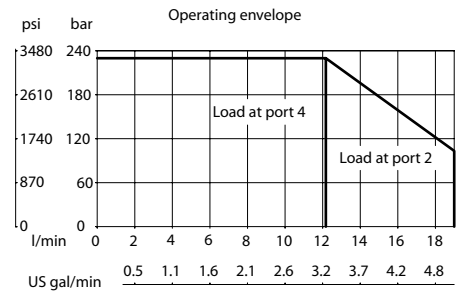
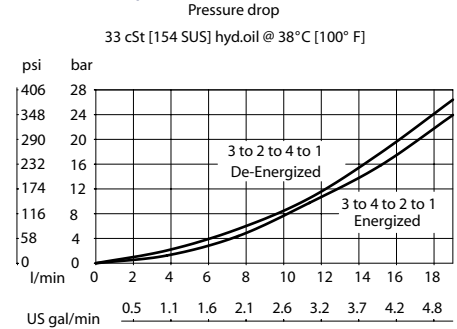
This is a direct-acting, 2-position, 4-way, spool-type solenoid valve.

SPECIFICATIONS

Specifications

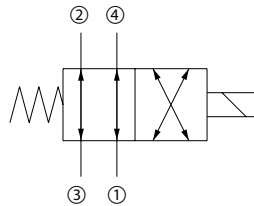
Rated pressure	230 bar [3300 psi]
Rated flow at 7 bar [100 psi]	8 l/min [2 US gal/min]
Weight	0.32 kg [0.71 lb]
Cavity	SDC08-4
Standard Coil	M13 20 Watt
Robust Coil	R13 16 Watt

Theoretical performance



P103 568E

Schematic

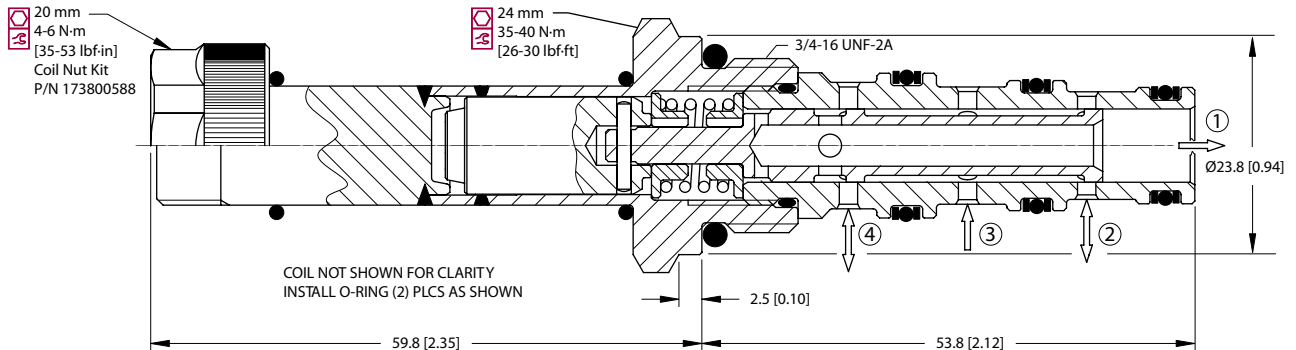


P102 393E

DIMENSIONS

mm [in]

Cross-sectional view



P103 467

ORDERING INFORMATION

SV08-24-01-12D-DN-B-00

Coil voltage

- 00 = No Coil
- 12D = 12 VDC (Standard Coil)
- 24D = 24 VDC (Standard Coil)
- R12D = 12 VDC (R-Coil)
- R24D = 24 VDC (R-Coil)

Coil termination:

- 00 = No Coil
- FL = Flying Lead
- DN = DIN 43650 *
- DE = Deutsch
- AJ = Amp Junior *
- SP = Spade *
- AS = AMP SuperSeal 1.5 and Metri-Pack 150 type 1

Body and ports

- 00 = Cartridge only
- 4S = Al, #4 SAE
- 6S = Al, #6 SAE
- L2B = Al, 1/4 BSP
- Other housings available

Seals

- B = Buna-N
- V = Viton

Seals kit

- 354003319
- 354003919

Body Nomenclature

- No Body
- CP08-4-4S
- CP08-4-6S
- SDC08-4-L2B

P103 429E

* These terminations are not available on robust coil (R12D, R24D)



Cartridge Valves Technical Information

Solenoid valves

SV10-24-01



OPERATION

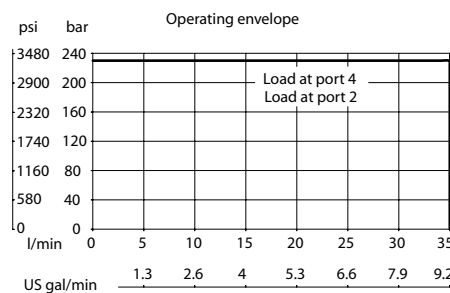
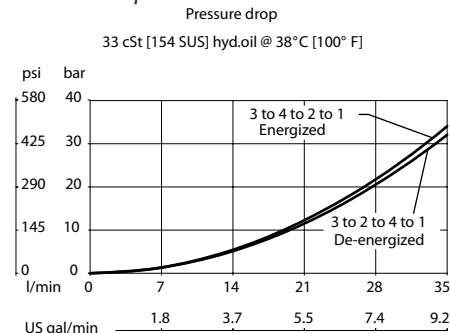
This is a direct-acting, 2-position, 4-way, spool-type solenoid valve.

SPECIFICATIONS

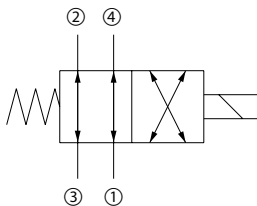
Specifications

Rated pressure	230 bar [3300 psi]
Rated flow at 7 bar [100 psi]	15 l/min [4 US gal/min]
Weight	0.45 kg [0.99 lb]
Cavity	SDC10-4
Standard Coil	M16 26 Watt
Robust Coil	R16 20 Watt

Theoretical performance



Schematic



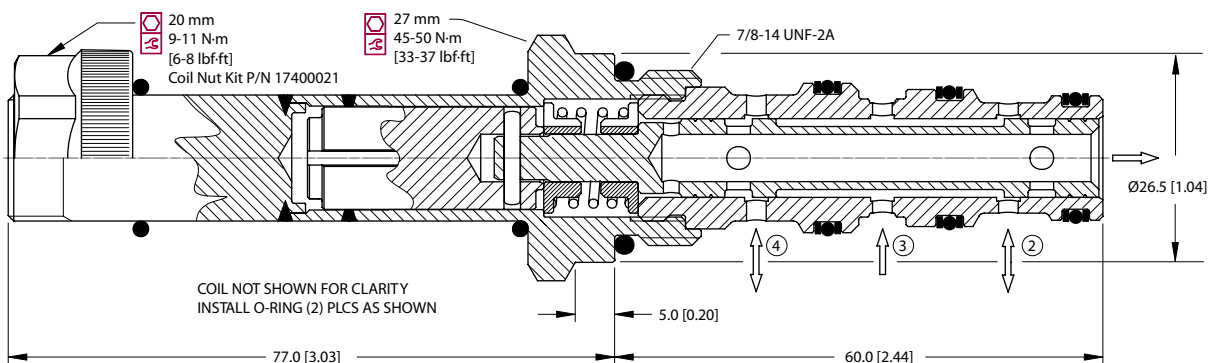
P102 393E

P103 582E

DIMENSIONS

mm [in]

Cross-sectional view



P103 484

ORDERING INFORMATION

SV10-24-01-12D-DN-B-00

Coil voltage

- 00 = No Coil
- 12D = 12 VDC (Standard Coil)
- 24D = 24 VDC (Standard Coil)
- R12D = 12 VDC (R-Coil)
- R24D = 24 VDC (R-Coil)

Coil termination:

- 00 = No Coil
- FL = Flying Lead
- DN = DIN 43650 *
- DE = Deutsch
- AJ = Amp Junior *
- SP = Spade *
- AS = AMP SuperSeal 1.5 and Metri-Pack 150 type 1

Body and ports

- 00 = Cartridge only
- 6S = Al, #6 SAE
- 8S = Al, #8 SAE
- L3B = Al, 3/8 BSP
- L4B = Al, 1/2 BSP
- Other housings available

Seals

- B = Buna-N
- V = Viton

Body Nomenclature

- No Body
- CP10-4-6S
- CP10-4-8S
- SDC10-4-L3B
- SDC10-4-L4B

P103 443E

* These terminations are not available on robust coil (R12D, R24D)

Solenoid valves
SV10-24-01



Cartridge Valves Technical Information

Solenoid valves

EDH 12/4205



OPERATION

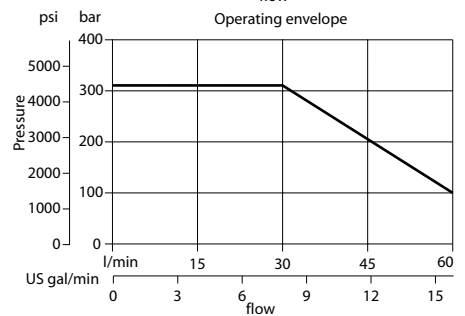
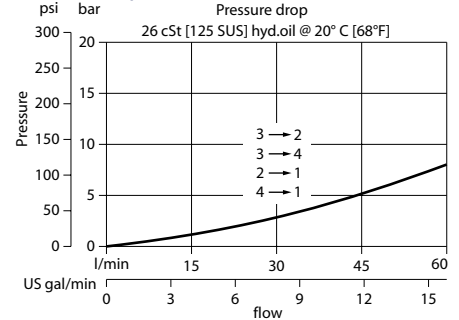
This is a direct-acting, 2-position, 4-way, spool-type solenoid valve.

SPECIFICATIONS

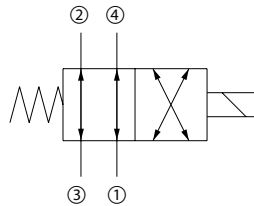
Specifications

Rated pressure	210 bar [3000 psi]
Rated flow at 7 bar [100 psi]	55 l/min [15 US gal/min]
Weight	0.95 kg [2.09 lb]
Cavity	NCS12/4
Standard Coil	M19 33 Watt

Theoretical performance



Schematic



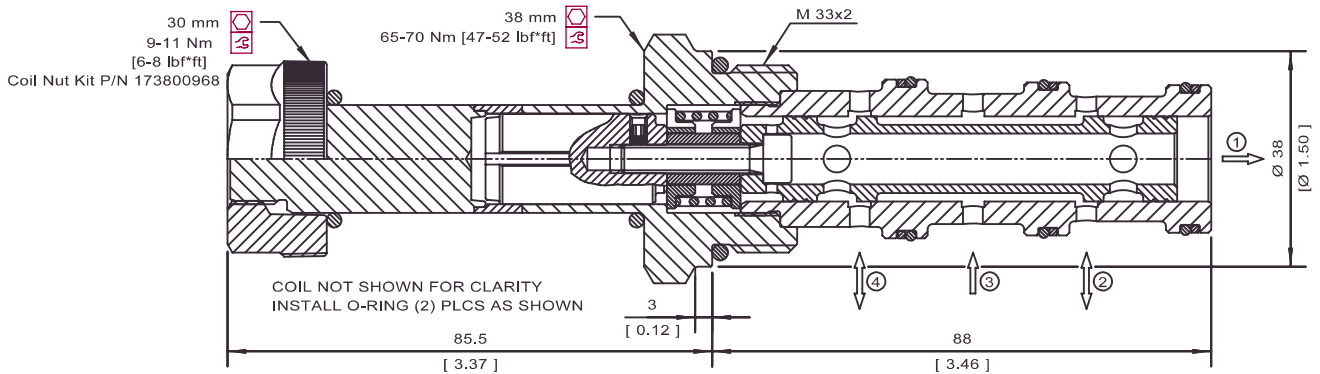
P102 393E

P103 814E

DIMENSIONS

mm [in]

Cross-sectional view



P103 910E

ORDERING INFORMATION

EDH 12 / 42 05 - 24C - A - 00 - V

- Voltage**
- 00 = No coil
 - 12C = 12 VDC coil
 - 24C = 24 VDC coil
- Termination**
- 00 = No coil
 - AMS = Amp SuperSeal 1.5
 - A = DIN 43650
 - FL600 = Lead Wires

- Seals**
- V = Viton
 - Omit = Buna-N
- Seal kit**
- 230000480
 - 230000100
- Housing and ports**
- 00 = No Housing
 - L1/2 = AL, 1/2 BSP
 - L3/4 = AL, 3/4 BSP
 - L125 = AL, #12 SAE
 - Other housings available
- Housing P/N**
- No Housing
 - NCS12/4-L-1/2
 - NCS12/4-L-3/4
 - NCS12/4-L-125

P103 815E



Cartridge Valves Technical Information

Solenoid valves

CP531-21



OPERATION

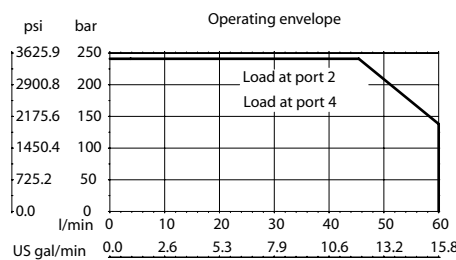
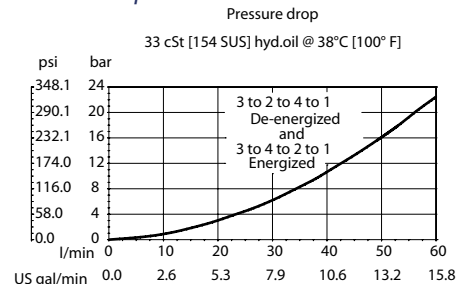
This is a direct-acting, 2-position, 4-way, spool-type solenoid valve.

SPECIFICATIONS

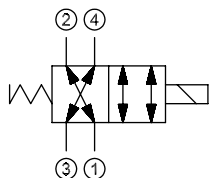
Specifications

Rated pressure	240 bar [3500 psi]
Rated flow at 13 bar [189 psi]	32 l/min [8 US gal/min]
Weight	0.82 kg [1.81 lb]
Cavity	CP12-4
Standard Coil	D14E 30 Watt

Theoretical performance



Schematic



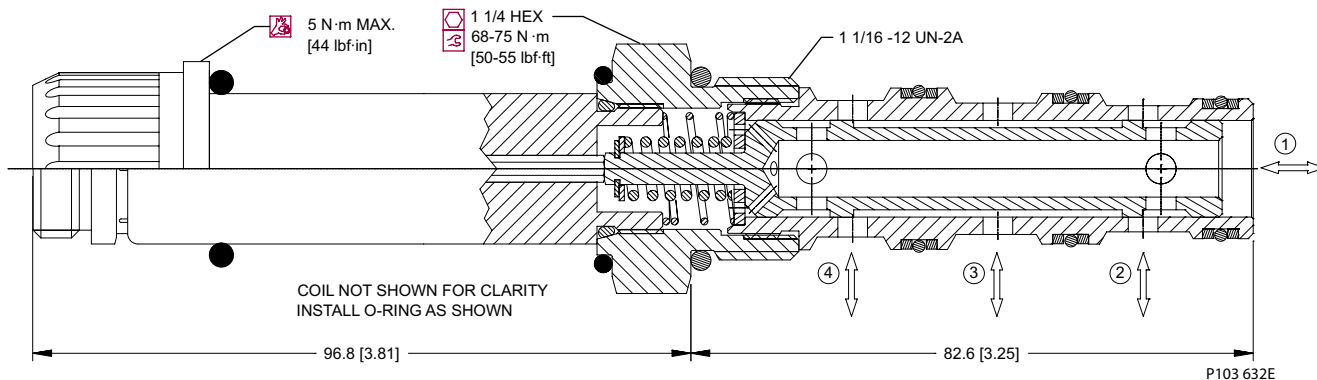
P103 530

P103 634E

DIMENSIONS

mm [in]

Cross-sectional view



P103 632E

ORDERING INFORMATION

CP531-21-B-10S-24D-S

Seals

B = Buna-N
V = Viton

Seal kit
120262
120263

Housing and ports

0 = No Housing
3B = AL, 3/8 BSP
4B = AL, 1/2 BSP
10S = AL, #10 SAE
12S = AL, #12 SAE
Other housings available

Housing P/N

No Housing
CP12-4-3B
CP12-4-4B
CP12-4-10S
CP12-4-12S

Termination

0 = No connector
S = Spade
L = Lead wire
H = DIN 43650
M2 = Metripak 150, Type 1
DE = Deutsch
AJ = Amp Junior

Coil Voltage

000 = No coil
12D = 12 VDC
24D = 24 VDC

P103 633E

Solenoid valves
CP531-21



Cartridge Valves Technical Information

Solenoid valves

SV08-24-02



OPERATION

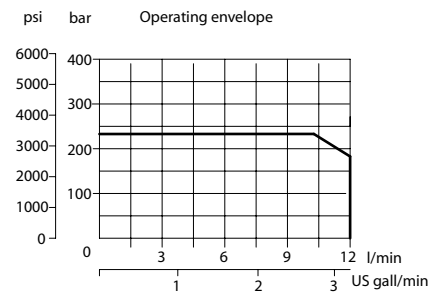
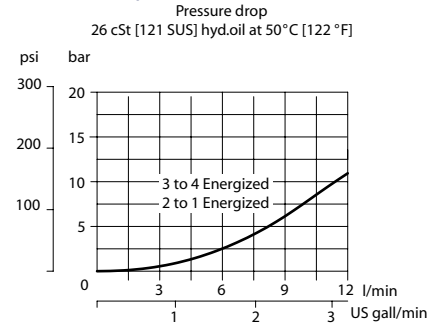
This is a direct-acting, 2-position, 4-way, spool-type solenoid valve.

SPECIFICATIONS

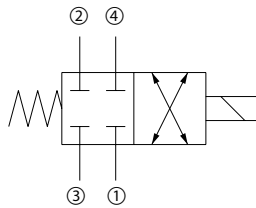
Specifications

Rated pressure	230 bar [3300 psi]
Rated flow at 7 bar [100 psi]	10 l/min [3 US gal/min]
Weight	0.31 kg [0.68 lb]
Cavity	SDC08-4
Standard Coil	M13 20 Watt
Robust Coil	R13 16 Watt

Theoretical performance



Schematic



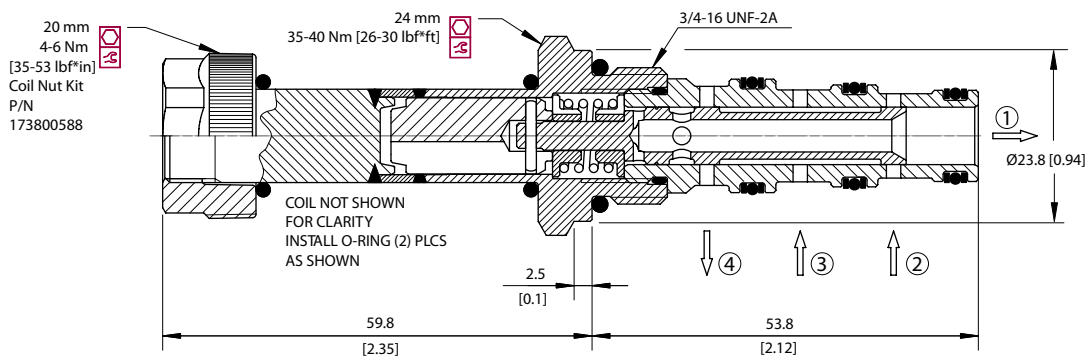
P102 395

P103 570E

DIMENSIONS

mm [in]

Cross-sectional view



P103 468

ORDERING INFORMATION

SV08-24-02-12D-DN-B-00

Coil voltage
 00 = No Coil
 12D = 12 VDC (Standard Coil)
 24D = 24 VDC (Standard Coil)
 R12D = 12 VDC (R-Coil)
 R24D = 24 VDC (R-Coil)

Coil termination:
 00 = No Coil
 FL = Flying Lead
 DN = DIN 43650 *
 DE = Deutsch
 AJ = Amp Junior *
 SP = Spade *
 AS = AMP SuperSeal 1.5 and Metri-Pack 150 type 1

Body and ports
 00 = Cartridge only
 4S = Al, #4 SAE
 6S = Al, #6 SAE
 L2B = Al, 1/4 BSP
 Other housings available

Seals
 B = Buna-N
 V = Viton

Seals kit
 354003319
 354003919

Body Nomenclature
 No Body
 CP08-4-4S
 CP08-4-6S
 SDC08-4-L2B

P103 430E

* These terminations are not available on robust coil (R12D, R24D)

Solenoid valves
SV08-24-02



Cartridge Valves Technical Information

Solenoid valves

EDH 12/4206



OPERATION

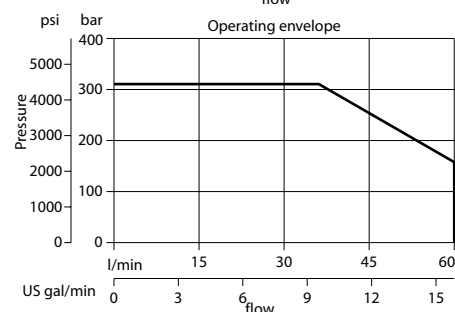
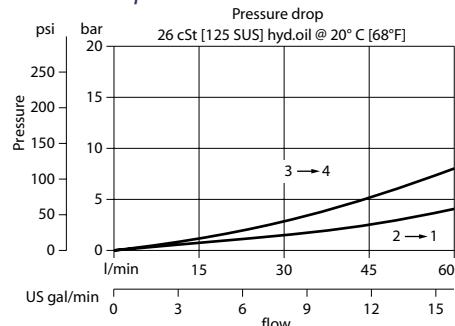
This is a direct-acting, 2-position, 4-way, spool-type solenoid valve.

SPECIFICATIONS

Specifications

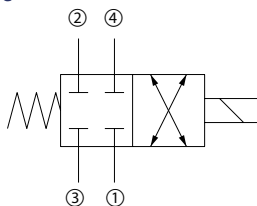
Rated pressure	210 bar [3000 psi]
Rated flow at 7 bar [100 psi]	60 l/min [16 US gal/min]
Weight	0.95 kg [2.09 lb]
Cavity	NCS12/4
Standard Coil	M19 33 Watt

Theoretical performance



P103 806E

Schematic

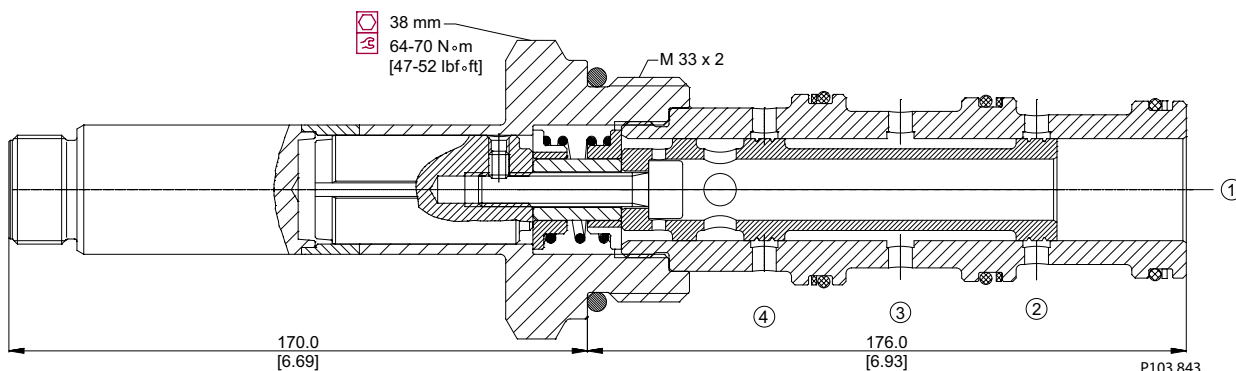


P102 395

DIMENSIONS

mm [in]

Cross-sectional view



P103 843

ORDERING INFORMATION

EDH 12 / 42 06 - 24C - A - 00 - V

Voltage

00 = No coil
12C = 12 VDC coil
24C = 24 VDC coil

Termination

00 = without coil
AMS = Amp SuperSeal 1.5
A = DIN 43650
FL600 = Lead Wires

Seals
V = Viton
Omit = Buna-N

Seal kit
230000480
230000100

Housing and ports

00 = No Housing
L1/2 = AL, 1/2 BSP
L3/4 = AL, 3/4 BSP
L12S = AL, #12 SAE
Other housings available

Housing P/N

No Housing
NCS12/4-L-1/2
NCS12/4-L-3/4
NCS12/4-L-12S

P103 807E



Cartridge Valves Technical Information

Solenoid valves

SV10-24-07



OPERATION

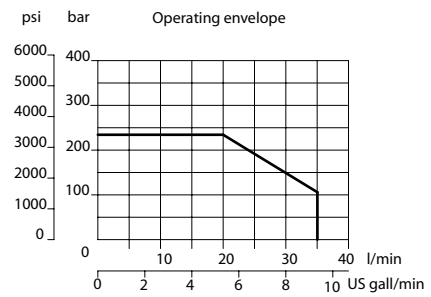
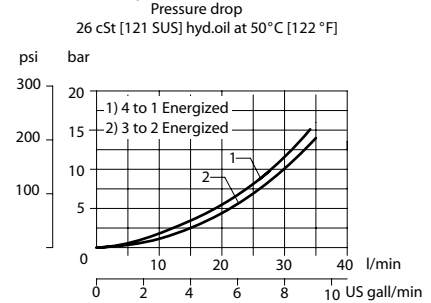
This is a direct-acting, 2-position, 4-way, spool-type solenoid valve.

SPECIFICATIONS

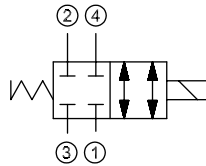
Specifications

Rated pressure	230 bar [3300 psi]
Rated flow at bar [psi]	24 l/min [6 US gal/min]
Weight	0.45 kg [0.99 lb]
Cavity	SDC10-4
Standard Coil	M16 26 Watt
Robust Coil	R16 20 Watt

Theoretical performance



Schematic



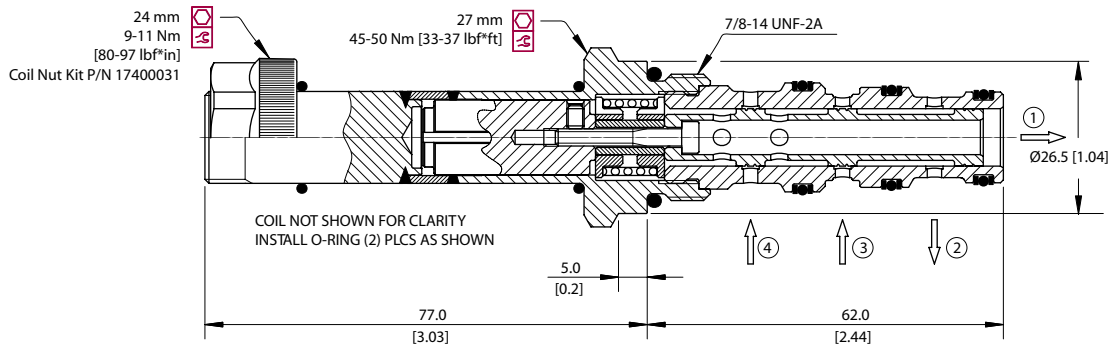
P103 533

P103 585E

DIMENSIONS

mm [in]

Cross-sectional view



P103 483

ORDERING INFORMATION

SV10-24-07-12D-DN-B-00

Coil voltage
 00 = No Coil
 12D = 12 VDC (Standard Coil)
 24D = 24 VDC (Standard Coil)
 R12D = 12 VDC (R-Coil)
 R24D = 24 VDC (R-Coil)
Coil termination:
 00 = No Coil
 FL = Flying Lead
 DN = DIN 43650 *
 DE = Deutsch
 AJ = Amp Junior *
 SP = Spade *
 AS = AMP SuperSeal 1.5 and Metri-Pack 150 type 1

Body and ports
 00 = Cartridge only
 6S = Al, #6 SAE
 8S = Al, #8 SAE
 L3B = Al, 3/8 BSP
 L4B = Al, 1/2 BSP
 Other housings available

Seals
 B = Buna-N
 V = Viton

Seals kit
 354001919
 354002019

Body Nomenclature
 No Body
 CP10-4-6S
 CP10-4-8S
 SDC10-4-L3B
 SDC10-4-L4B

P103 446E

* These terminations are not available on robust coil (R12D, R24D)

Solenoid valves
SV10-24-07



Cartridge Valves Technical Information

Solenoid valves

EDH 12/4214



OPERATION

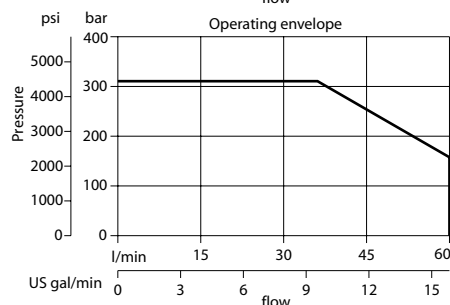
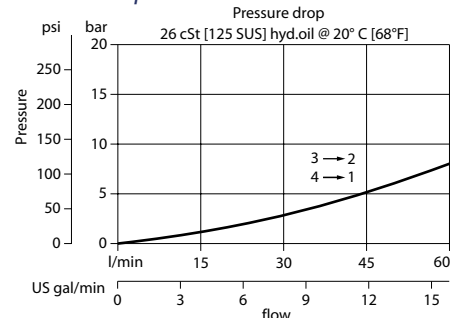
This is a direct-acting, 2-position, 4-way, spool-type solenoid valve.

SPECIFICATIONS

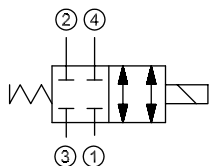
Specifications

Rated pressure	210 bar [3000 psi]
Rated flow at 7 bar [100 psi]	60 l/min [16 US gal/min]
Weight	0.95 kg [2.09 lb]
Cavity	NCS12/4
Standard Coil	M19 33 Watt

Theoretical performance



Schematic



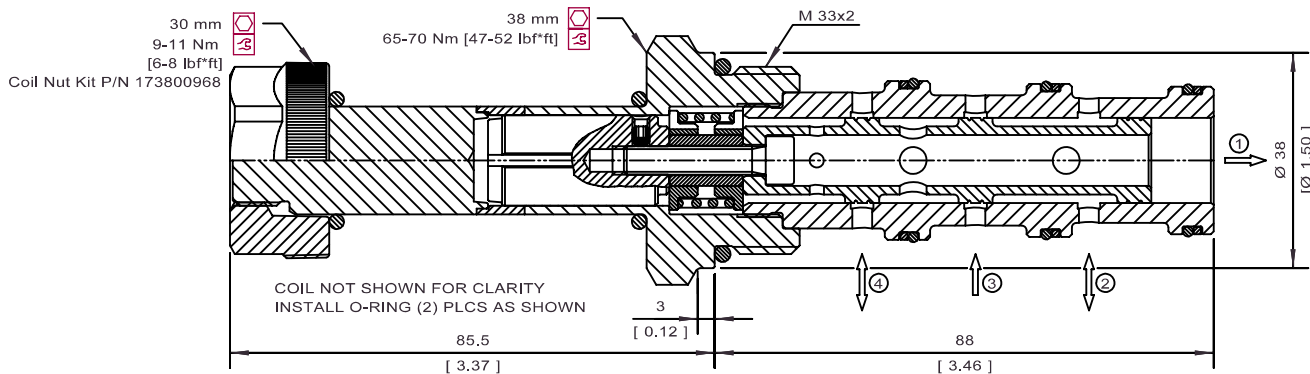
P103 533

P103 808E

DIMENSIONS

mm [in]

Cross-sectional view



P103 906E

ORDERING INFORMATION

EDH 12 / 42 14 - 24C - A - 00 - V

Voltage

00 = No coil
12C = 12 VDC coil
24C = 24 VDC coil

Termination

00 = No coil
AMS = Amp SuperSeal 1.5
A = DIN 43650
FL600 = Lead Wires

Seals

V = Viton
Omit = Buna-N

Seal kit

230000480
230000100

Housing and ports

00 = No Housing
L1/2 = AL, 1/2 BSP
L3/4 = AL, 3/4 BSP
L12S = AL, #12 SAE
Other housings available

Housing P/N

No Housing
NCS12/4-L-1/2
NCS12/4-L-3/4
NCS12/4-L-12S

P103 809E



Cartridge Valves Technical Information

Solenoid valves

SV10-24-05



OPERATION

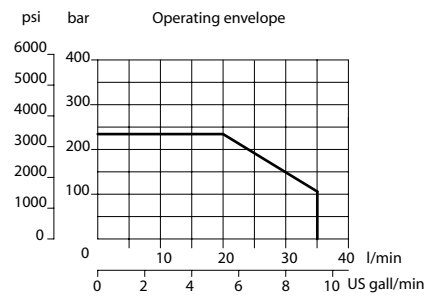
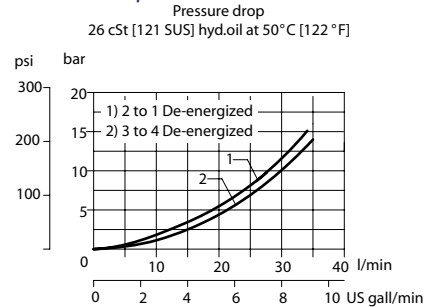
This is a direct-acting, 2-position, 4-way, spool-type solenoid valve.

SPECIFICATIONS

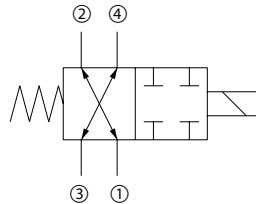
Specifications

Rated pressure	230 bar [3300 psi]
Rated flow at 7 bar [100 psi]	25 l/min [7 US gal/min]
Weight	0.45 kg [0.99 lb]
Cavity	SDC10-4
Standard Coil	M16 26 Watt
Robust Coil	R16 20 Watt

Theoretical performance



Schematic



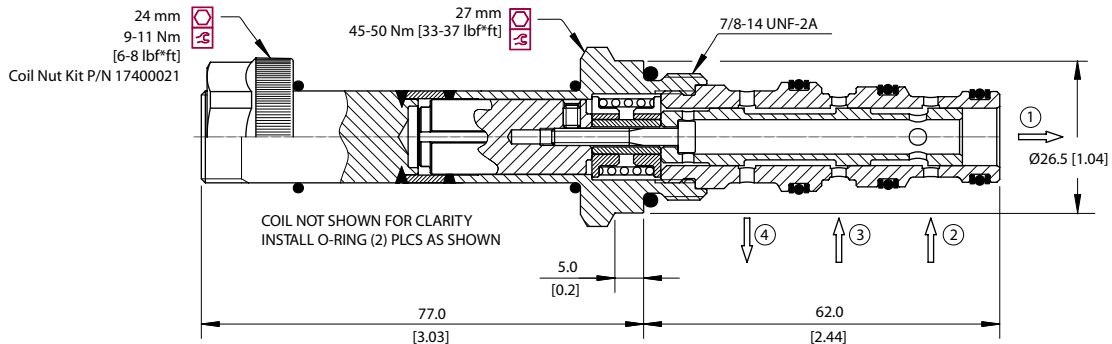
P102 396

P103 583E

DIMENSIONS

mm [in]

Cross-sectional view



P103 481

ORDERING INFORMATION

SV10-24-05-12D-DN-B-00

Coil voltage

- 00 = No Coil
- 12D = 12 VDC (Standard Coil)
- 24D = 24 VDC (Standard Coil)
- R12D = 12 VDC (R-Coil)
- R24D = 24 VDC (R-Coil)

Coil termination:

- 00 = No Coil
- FL = Flying Lead
- DN = DIN 43650 *
- DE = Deutsch
- AJ = Amp Junior *
- SP = Spade *
- AS = AMP SuperSeal 1.5 and Metri-Pack 150 type 1

Body and ports

- 00 = Cartridge only
- 6S = Al, #6 SAE
- 8S = Al, #8 SAE
- L3B = Al, 3/8 BSP
- L4B = Al, 1/2 BSP
- Other housings available

Seals

- B = Buna-N
- V = Viton

Seals kit

- 354001919
- 354002019

Body Nomenclature

- No Body
- CP10-4-6S
- CP10-4-8S
- SDC10-4-L3B
- SDC10-4-L4B

P103444E

* These terminations are not available on robust coil (R12D, R24D)

Solenoid valves
SV10-24-05



Cartridge Valves Technical Information

Solenoid valves

EDH 12/4212



OPERATION

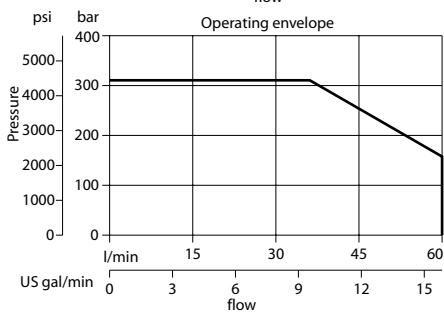
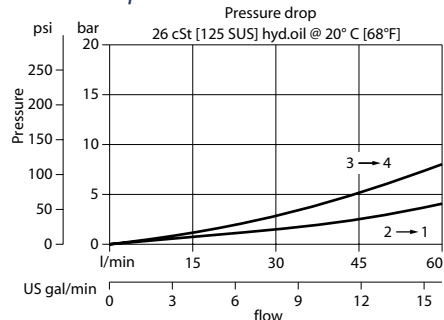
This is a direct-acting, 2-position, 4-way, spool-type solenoid valve.

SPECIFICATIONS

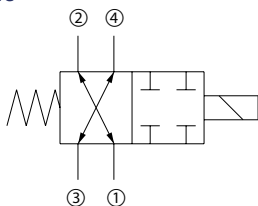
Specifications

Rated pressure	210 bar [3000 psi]
Rated flow at 7 bar [100 psi]	55 l/min [15 US gal/min]
Weight	0.95 kg [2.09 lb]
Cavity	NCS12/4
Standard Coil	M19 33 Watt

Theoretical performance



Schematic



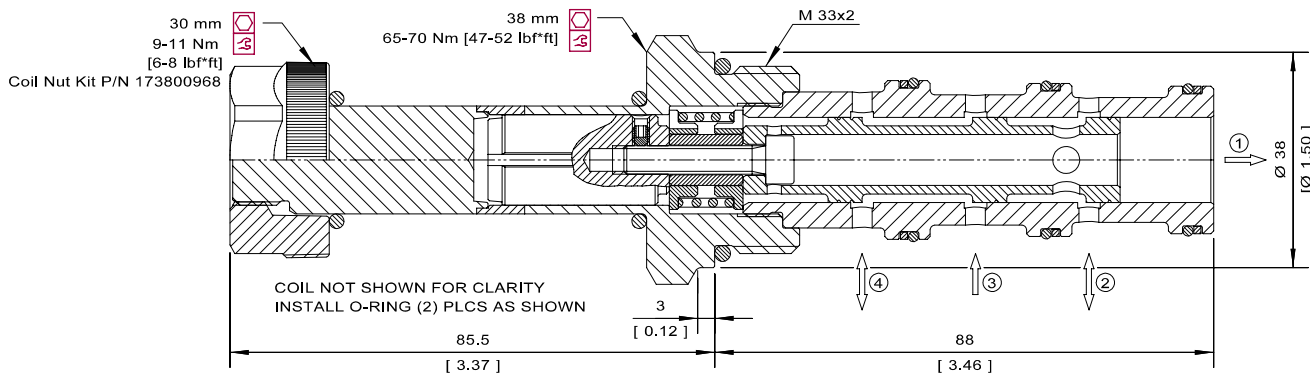
P102 396

P103 812E

DIMENSIONS

mm [in]

Cross-sectional view



P103 905E

ORDERING INFORMATION

EDH 12 / 42 12 - 24C - A - 00 - V

Voltage

00 = No coil
12C = 12 VDC coil
24C = 24 VDC coil

Termination

00 = No coil
AMS = Amp SuperSeal 1.5
A = DIN 43650
FL600 = Lead Wires

Seals

V = Viton
Omit = Buna-N

Housing and ports

00 = No Housing
L1/2 = AL, 1/2 BSP
L3/4 = AL, 3/4 BSP
L125 = AL, #12 SAE
Other housings available

Seal kit

230000480
230000100

Housing P/N

No Housing
NCS12/4-L-1/2
NCS12/4-L-3/4
NCS12/4-L-125

P103 813E



Cartridge Valves Technical Information

Solenoid valves

SV08-24-04



OPERATION

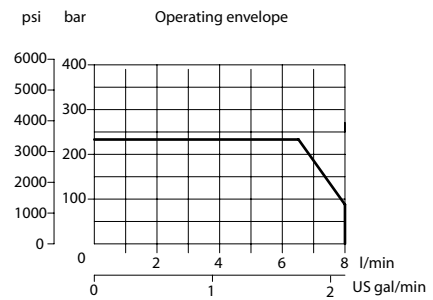
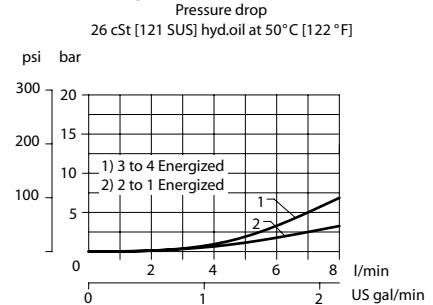
This is a direct-acting, 2-position, 4-way, spool-type solenoid valve.

SPECIFICATIONS

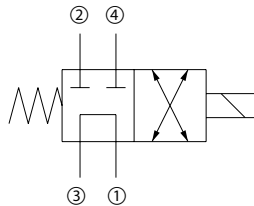
Specifications

Rated pressure	230 bar [3300 psi]
Rated flow at 7 bar [100 psi]	8 l/min [2 US gal/min]
Weight	0.31 kg [0.68 lb]
Cavity	SDC08-4
Standard Coil	M13 20 Watt
Robust Coil	R13 16 Watt

Theoretical performance



Schematic

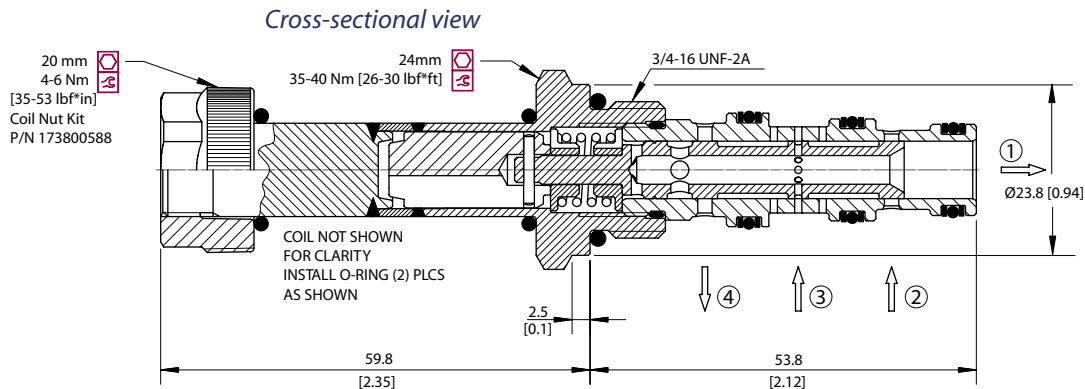


P102 737

P103 571E

DIMENSIONS

mm [in]



P103 470

ORDERING INFORMATION

SV08-24-04-12D-DN-B-00

Coil voltage
00 = No Coil
12D = 12 VDC (Standard Coil)
24D = 24 VDC (Standard Coil)
R12D = 12 VDC (R-Coil)
R24D = 24 VDC (R-Coil)

Coil termination:
00 = No Coil
FL = Flying Lead
DN = DIN 43650 *
DE = Deutsch
AJ = Amp Junior *
SP = Spade *
AS = AMP SuperSeal 1.5 and Metri-Pack 150 type 1

Body and ports
00 = Cartridge only
4S = Al, #4 SAE
6S = Al, #6 SAE
L2B = Al, 1/4 BSP
Other housings available

Seals
B = Buna-N
V = Viton

Seals kit
354003319
354003419

Body Nomenclature
No Body
CP08-4-4S
CP08-4-6S
SDC08-4-L2B

P103 432E

* These terminations are not available on robust coil (R12D, R24D)

Solenoid valves
SV08-24-04



Cartridge Valves Technical Information

Solenoid valves

SV10-24-12



OPERATION

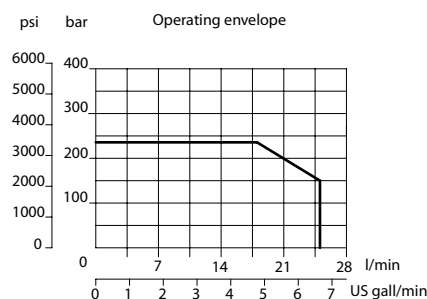
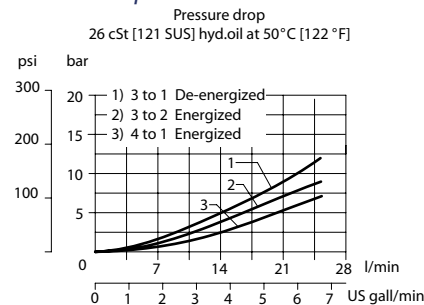
This is a direct-acting, 2-position, 4-way, spool-type solenoid valve.

SPECIFICATIONS

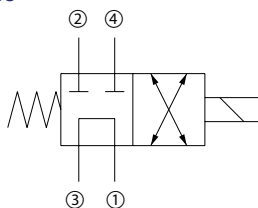
Specifications

Rated pressure	230 bar [3300 psi]
Rated flow at 7 bar [100 psi]	18 l/min [5 US gal/min]
Weight	0.45 kg [0.99 lb]
Cavity	SDC10-4
Standard Coil	M16 26 Watt
Robust Coil	R16 20 Watt

Theoretical performance



Schematic



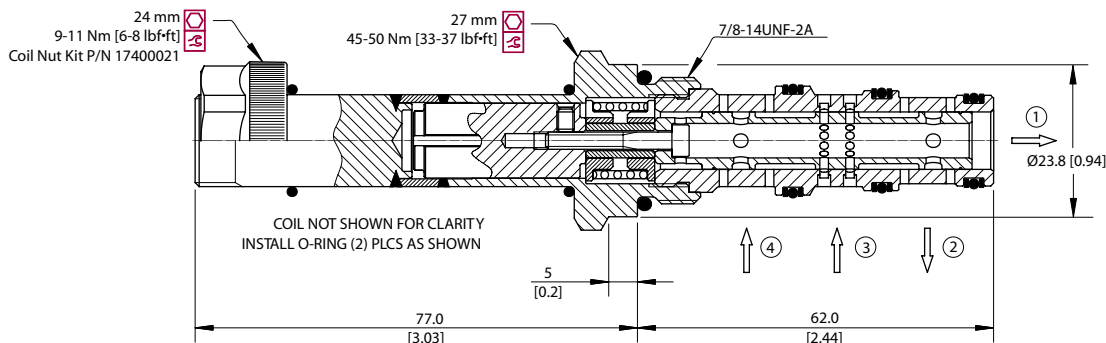
P102 737

P103 586E

DIMENSIONS

mm [in]

Cross-sectional view



P103 552

ORDERING INFORMATION

SV10-24-12-12D-DN-B-00

Coil voltage

- 00 = No Coil
- 12D = 12 VDC (Standard Coil)
- 24D = 24 VDC (Standard Coil)
- R12D = 12 VDC (R-Coil)
- R24D = 24 VDC (R-Coil)

Coil termination:

- 00 = No Coil
- FL = Flying Lead
- DN = DIN 43650 *
- DE = Deutsch
- AJ = Amp Junior *
- SP = Spade *
- AS = AMP SuperSeal 1.5 and Metri-Pack 150 type 1

Body and ports

- 00 = Cartridge only
- 6S = Al, #6 SAE
- 8S = Al, #8 SAE
- L3B = Al, 3/8 BSP
- L4B = Al, 1/2 BSP
- Other housings available

Seals

- B = Buna-N
- V = Viton

Body Nomenclature

- No Body
- CP10-4-6S
- CP10-4-8S
- SDC10-4-L3B
- SDC10-4-L4B

P103 447E

* These terminations are not available on robust coil (R12D, R24D)



Cartridge Valves Technical Information

Solenoid valves

EDH 12/4208



OPERATION

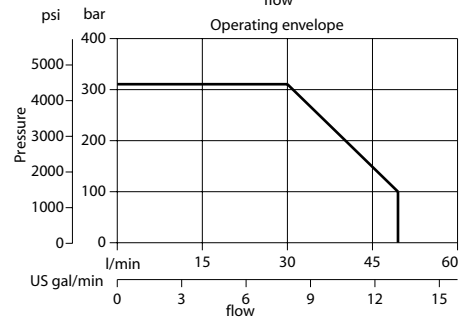
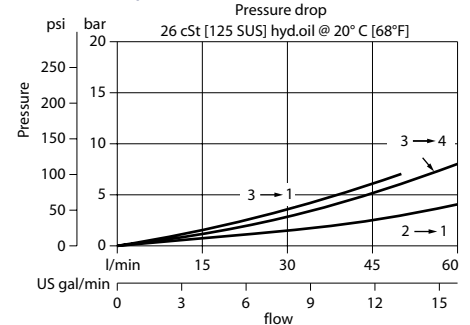
This is a direct-acting, 2-position, 4-way, spool-type solenoid valve.

SPECIFICATIONS

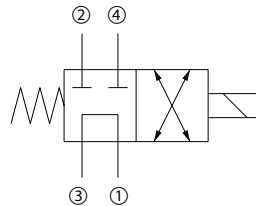
Specifications

Rated pressure	210 bar [3000 psi]
Rated flow at 7 bar [100 psi]	50 l/min [13 US gal/min]
Weight	0.95 kg [2.09 lb]
Cavity	NCS12/4
Standard Coil	M19 33 Watt

Theoretical performance



Schematic



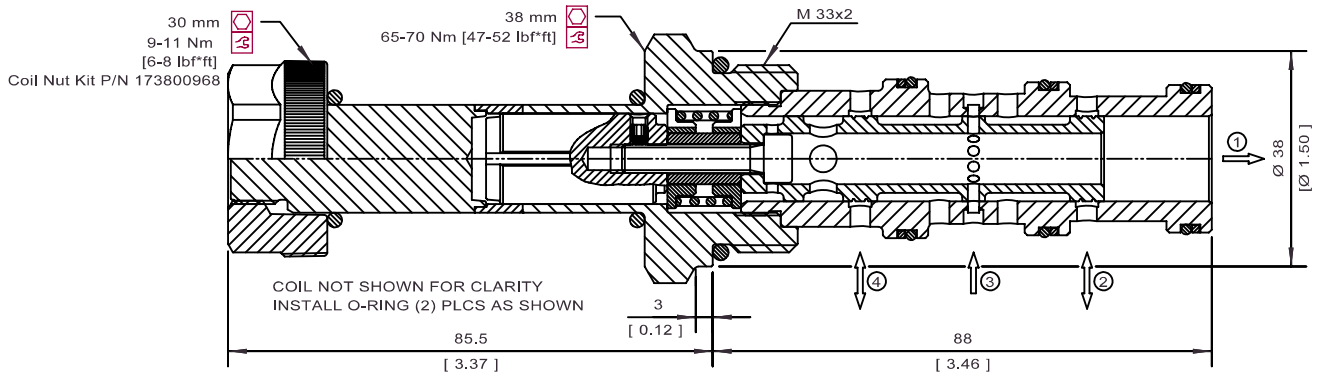
P102 737

P103 803E

DIMENSIONS

mm [in]

Cross-sectional view



P103 904E

ORDERING INFORMATION

EDH 12 / 42 08 - 24C - A - 00 - V

Voltage

00 = No coil
12C = 12 VDC coil
24C = 24 VDC coil

Termination

00 = No coil
AMS = Amp SuperSeal 1.5
A = DIN 43650
FL600 = Lead Wires

Seals
V = Viton
Omit = Buna-N

Housing and ports

00 = No Housing
L1/2 = AL, 1/2 BSP
L3/4 = AL, 3/4 BSP
L125 = AL, #12 SAE
Other housings available

Seal kit

230000480
230000100

Housing P/N

No Housing
NCS12/4-L-1/2
NCS12/4-L-3/4
NCS12/4-L-125

P103 804E



Cartridge Valves Technical Information

Solenoid valves

SV08-24-03



OPERATION

This is a direct-acting, 2-position, 4-way, spool-type solenoid valve.

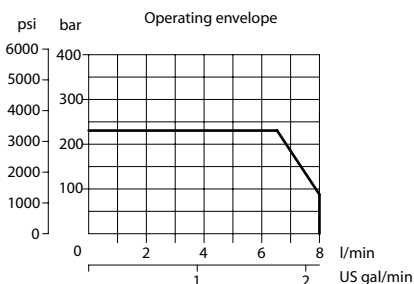
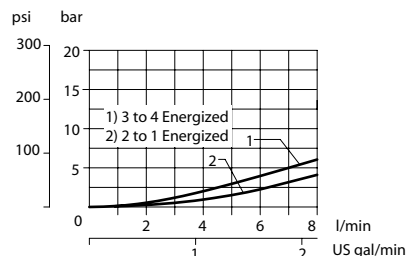
SPECIFICATIONS

Specifications

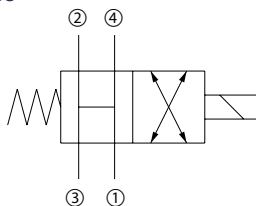
Rated pressure	230 bar [3300 psi]
Rated flow at 7 bar [100 psi]	8 l/min [2 US gal/min]
Weight	0.31 kg [0.68 lb]
Cavity	SDC08-4
Standard Coil	M13 20 Watt
Robust Coil	R13 16 Watt

Theoretical performance

Pressure drop
26 cSt [121 SUS] hyd.oil at 50°C [122°F]



Schematic



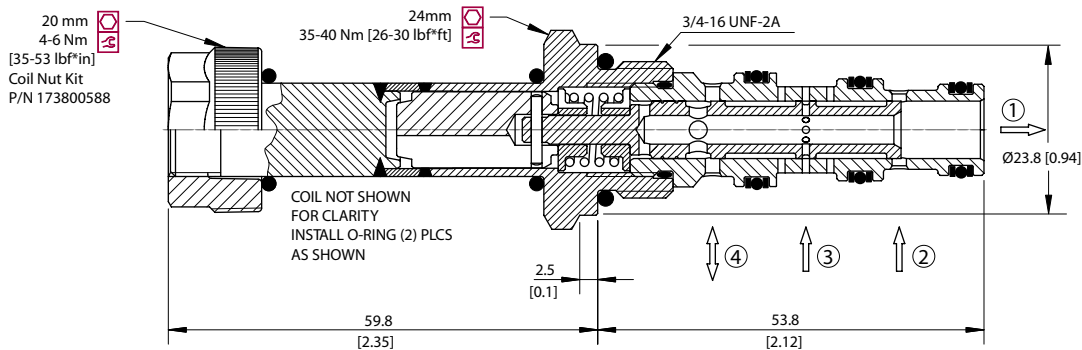
P102 738

P103 569E

DIMENSIONS

mm [in]

Cross-sectional view



P103 469

ORDERING INFORMATION

SV08-24-03-12D-DN-B-00

Coil voltage
00 = No Coil
12D = 12 VDC (Standard Coil)
24D = 24 VDC (Standard Coil)
R12D = 12 VDC (R-Coil)
R24D = 24 VDC (R-Coil)
Coil termination:
00 = No Coil
FL = Flying Lead
DN = DIN 43650 *
DE = Deutsch
AJ = Amp Junior *
SP = Spade *
AS = AMP SuperSeal 1.5 and Metri-Pack 150 type 1

Body and ports
00 = Cartridge only
4S = Al, #4 SAE
6S = Al, #6 SAE
L2B = Al, 1/4' BSP
Other housings available

Body Nomenclature
No Body
CP08-4-4S
CP08-4-6S
SDC08-4-L2B

Seals Seals kit
B = Buna-N 354003319
V = Viton 354003919

P103 431E

* These terminations are not available on robust coil (R12D, R24D)

Solenoid valves
SV08-24-03



Cartridge Valves Technical Information

Solenoid valves

EDH 12/4207



OPERATION

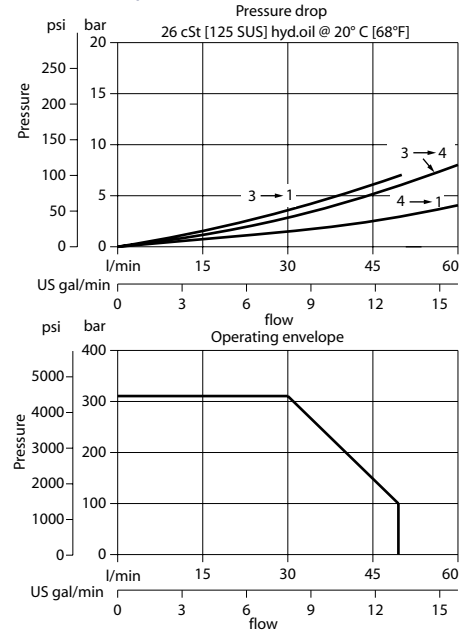
This is a direct-acting, 2-position, 4-way, spool-type solenoid valve.

SPECIFICATIONS

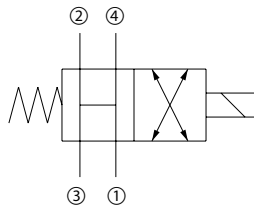
Specifications

Rated pressure	210 bar [3000 psi]
Rated flow at 7 bar [100 psi]	50 l/min [13 US gal/min]
Weight	0.95 kg [2.09 lb]
Cavity	NCS12/4
Standard Coil	M19 33 Watt

Theoretical performance



Schematic



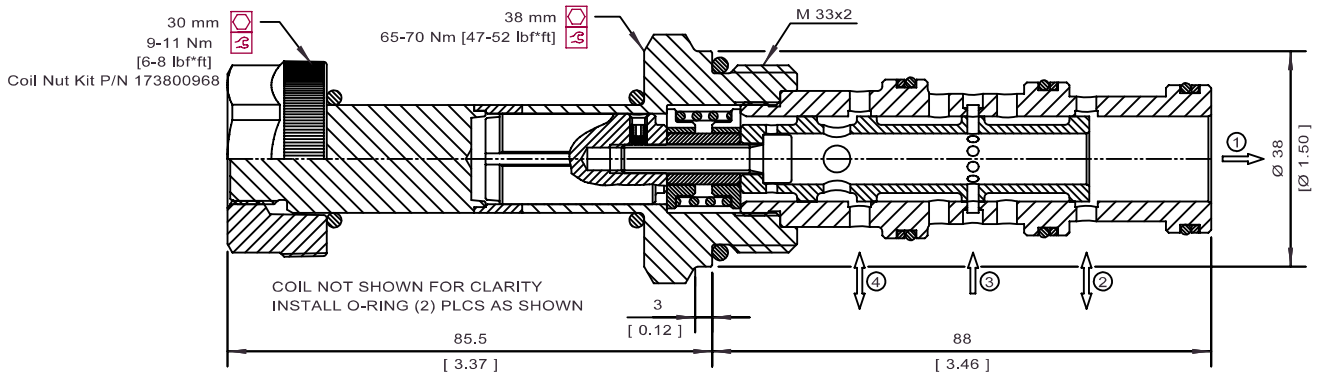
P102 738

P103 810E

DIMENSIONS

mm [in]

Cross-sectional view



P103 903E

ORDERING INFORMATION

EDH 12 / 42 07 - 24C - A - 00 - V

- Voltage**
- 00 = No coil
 - 12C = 12 VDC coil
 - 24C = 24 VDC coil
- Termination**
- 00 = No coil
 - AMS = Amp SuperSeal 1.5
 - A = DIN 43650
 - FL600 = Lead Wires

- Seals**
- V = Viton
 - Omit = Buna-N
- Seal kit**
- 230000480
 - 230000100
- Housing and ports**
- 00 = No Housing
 - L1/2 = AL, 1/2 BSP
 - L3/4 = AL, 3/4 BSP
 - L12S = AL, #12 SAE
 - Other housings available
- Housing P/N**
- No Housing
 - NCS12/4-L-1/2
 - NCS12/4-L-3/4
 - NCS12/4-L-12S

P103 811E



Cartridge Valves Technical Information

Solenoid valves

SV10-24-13



OPERATION

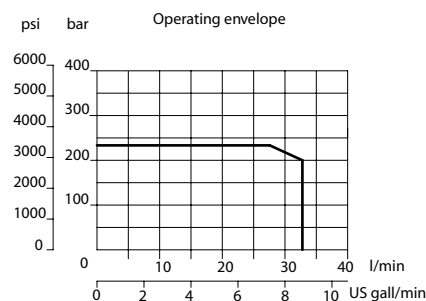
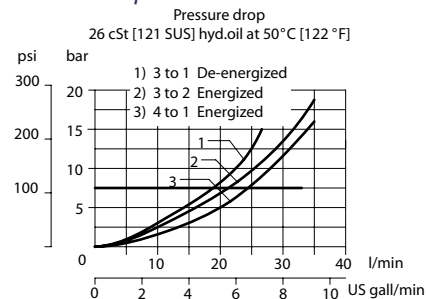
This is a direct-acting, 2-position, 4-way, spool-type solenoid valve.

SPECIFICATIONS

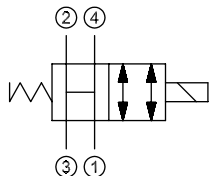
Specifications

Rated pressure	230 bar [3300 psi]
Rated flow at 7 bar [100 psi]	21 l/min [6 US gal/min]
Weight	0.45 kg [0.99 lb]
Cavity	SDC10-4
Standard Coil	M16 26 Watt
Robust Coil	R16 20 Watt

Theoretical performance



Schematic



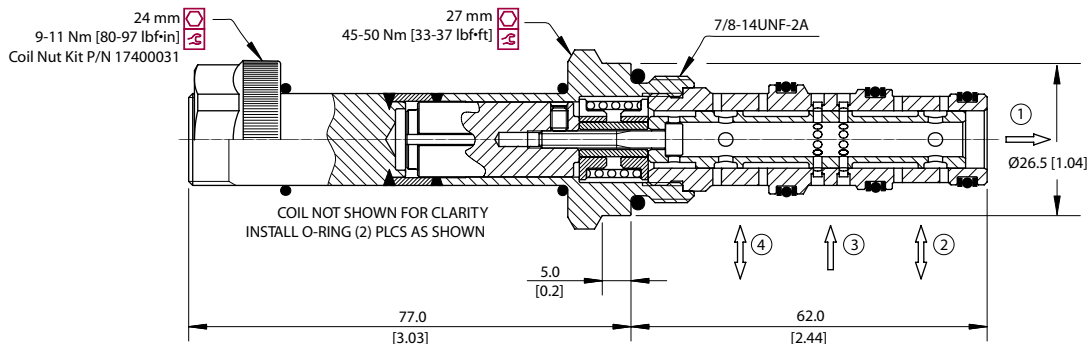
P103 537

P103 587E

DIMENSIONS

mm [in]

Cross-sectional view



P103 553

ORDERING INFORMATION

SV10-24-13-12D-DN-B-00

Coil voltage
00 = No Coil
12D = 12 VDC (Standard Coil)
24D = 24 VDC (Standard Coil)
R12D = 12 VDC (R-Coil)
R24D = 24 VDC (R-Coil)

Coil termination:
00 = No Coil
FL = Flying Lead
DN = DIN 43650 *
DE = Deutsch
AJ = Amp Junior *
SP = Spade *
AS = AMP SuperSeal 1.5 and Metri-Pack 150 type 1

Body and ports
00 = Cartridge only
6S = Al, #6 SAE
8S = Al, #8 SAE
L3B = Al, 3/8 BSP
L4B = Al, 1/2 BSP

Other housings available
Seals
B = Buna-N
V = Viton

Body Nomenclature
No Body
CP10-4-6S
CP10-4-8S
SDC10-4-L3B
SDC10-4-L4B

P103 448E

* These terminations are not available on robust coil (R12D, R24D)



Cartridge Valves Technical Information

Solenoid valves

SV08-24-06



OPERATION

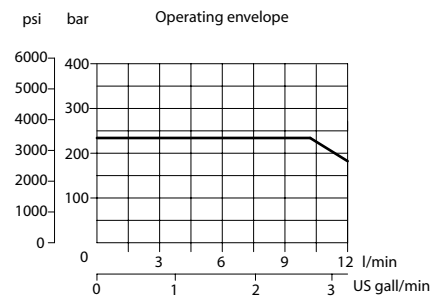
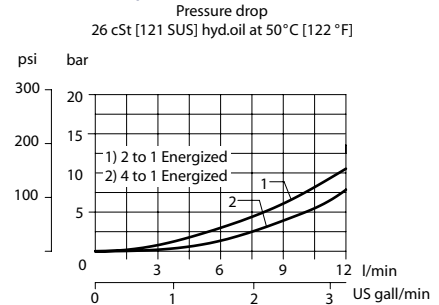
This is a direct-acting, 2-position, 4-way, spool-type solenoid valve.

SPECIFICATIONS

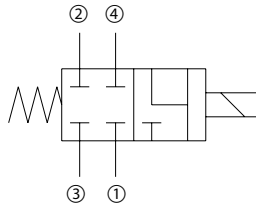
Specifications

Rated pressure	230 bar [3300 psi]
Rated flow at 7 bar [100 psi]	11 l/min [3 US gal/min]
Weight	0.31 kg [0.68 lb]
Cavity	SDC08-4
Standard Coil	M13 20 Watt
Robust Coil	R13 16 Watt

Theoretical performance



Schematic

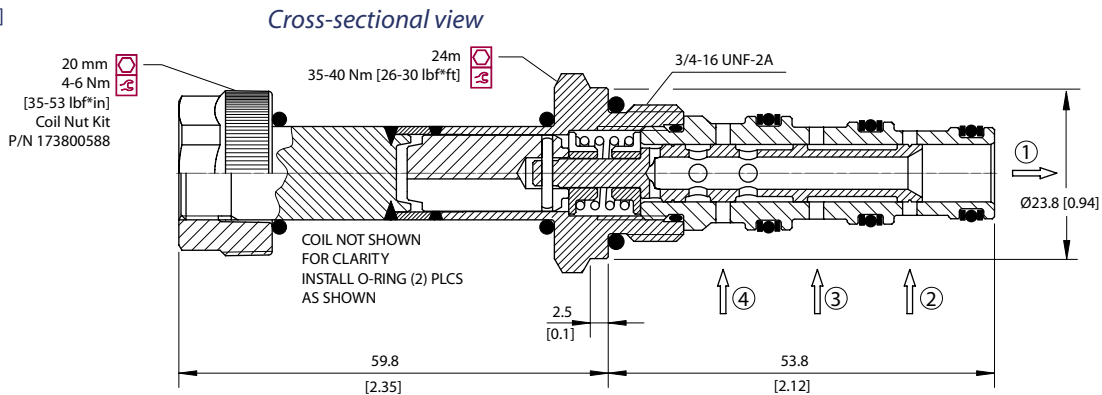


P102 691

P103 572E

DIMENSIONS

mm [in]



P103 471

ORDERING INFORMATION

SV08-24-06-12D-DN-B-00

Coil voltage
00 = No Coil
12D = 12 VDC (Standard Coil)
24D = 24 VDC (Standard Coil)
R12D = 12 VDC (R-Coil)
R24D = 24 VDC (R-Coil)

Coil termination:
00 = No Coil
FL = Flying Lead
DN = DIN 43650 *
DE = Deutsch
AJ = Amp Junior *
SP = Spade *
AS = AMP SuperSeal 1.5 and Metri-Pack 150 type 1

Body and ports
00 = Cartridge only
4S = Al, #4 SAE
6S = Al, #6 SAE
L2B = Al, 1/4 BSP
Other housings available

Seals
B = Buna-N
V = Viton

Seals kit
354003319
354003919

Body Nomenclature
No Body
CP08-4-4S
CP08-4-6S
SDC08-4-L2B

P103 433E

* These terminations are not available on robust coil (R12D, R24D)

Solenoid valves
SV08-24-06



Cartridge Valves Technical Information

Solenoid valves

SV10-24-06



OPERATION

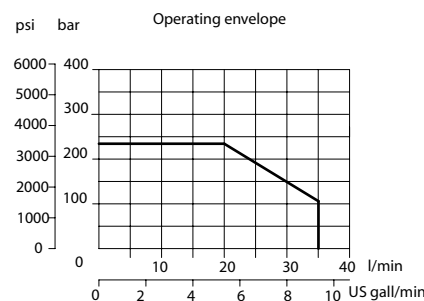
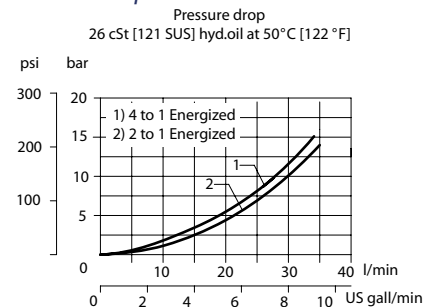
This is a direct-acting, 2-position, 4-way, spool-type solenoid valve.

SPECIFICATIONS

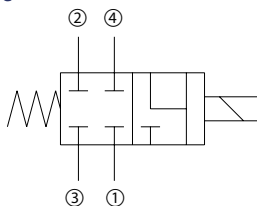
Specifications

Rated pressure	230 bar [3300 psi]
Rated flow at 7 bar [100 psi]	24 l/min [6 US gal/min]
Weight	0.45 kg [0.99 lb]
Cavity	SDC10-4
Standard Coil	M16 26 Watt
Robust Coil	R16 20 Watt

Theoretical performance



Schematic



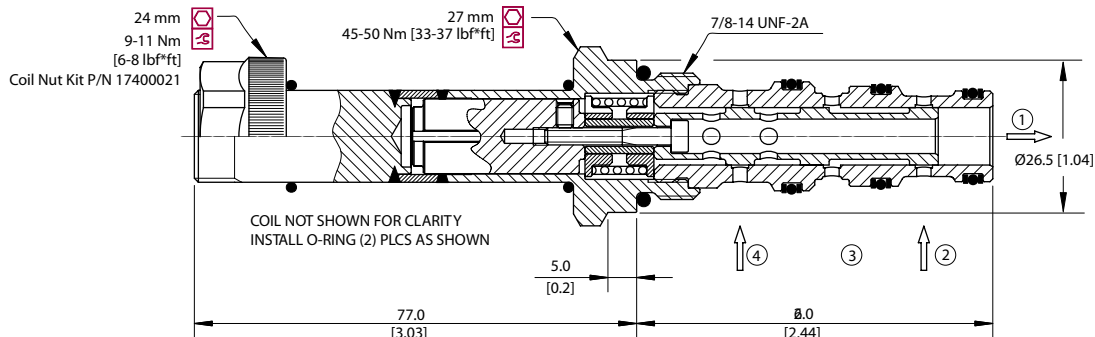
P102 691

P103 584E

DIMENSIONS

mm [in]

Cross-sectional view



P103 482

ORDERING INFORMATION

SV10-24-06-12D-DN-B-00

Coil voltage

- 00 = No Coil
- 12D = 12 VDC (Standard Coil)
- 24D = 24 VDC (Standard Coil)
- R12D = 12 VDC (R-Coil)
- R24D = 24 VDC (R-Coil)

Coil termination:

- 00 = No Coil
- FL = Flying Lead
- DN = DIN 43650 *
- DE = Deutsch
- AJ = Amp Junior *
- SP = Spade *
- AS = AMP SuperSeal 1.5 and Metri-Pack 150 type 1

Body and ports

- 00 = Cartridge only
- 6S = Al, #6 SAE
- 8S = Al, #8 SAE
- L3B = Al, 3/8 BSP
- L4B = Al, 1/2 BSP
- Other housings available

Seals

- B = Buna-N 354001919
- V = Viton 354002019

Seals kit

- 354001919
- 354002019

Body Nomenclature

- No Body
- CP10-4-6S
- CP10-4-8S
- SDC10-4-L3B
- SDC10-4-L4B

P103 445E

* These terminations are not available on robust coil (R12D, R24D)



Cartridge Valves Technical Information

Solenoid valves

SV08-34-04



OPERATION

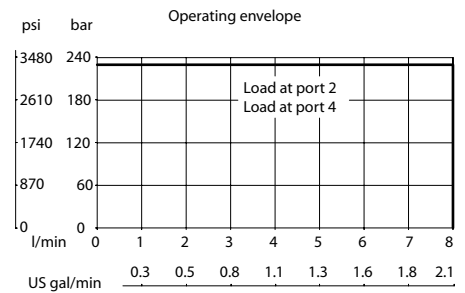
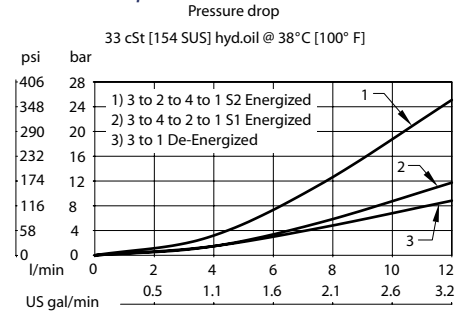
This is a direct-acting, 3-position, 4-way, spool-type solenoid valve.

SPECIFICATIONS

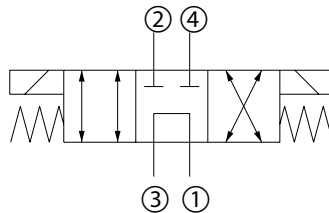
Specifications

Rated pressure	230 bar [3300 psi]
Rated flow at 7 bar [100 psi]	6 l/min [2 US gal/min]
Weight	0.55 kg [1.21 lb]
Cavity	SDC08-4
Standard Coil	M13 20 Watt
Robust Coil	R13 16 Watt

Theoretical performance



Schematic



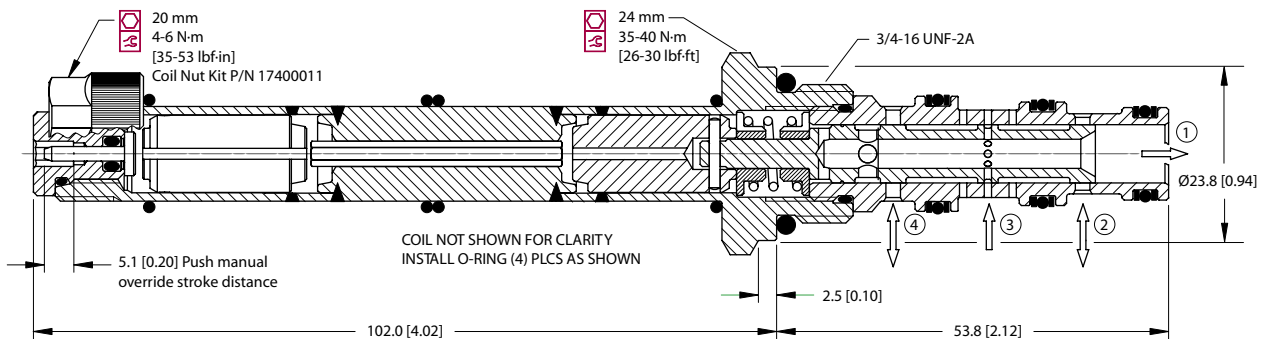
P102 394E

P103 575E

DIMENSIONS

mm [in]

Cross-sectional view



P103 474

ORDERING INFORMATION

SV08-34-04-12D-DN-B-00

Coil voltage
00 = No Coil
12D = 12 VDC (Standard Coil)
24D = 24 VDC (Standard Coil)
R12D = 12 VDC (R-Coil)
R24D = 24 VDC (R-Coil)
Coil termination:
00 = No Coil
FL = Flying Lead
DN = DIN 43650 *
DE = Deutsch
AJ = Amp Junior *
SP = Spade *
AS = AMP SuperSeal 1.5 and Metri-Pack 150 type 1

Body and ports
00 = Cartridge only
4S = Al, #4 SAE
6S = Al, #6 SAE
L2B = Al, 1/4 BSP
Other housings available

Body Nomenclature
No Body
CP08-4-4S
CP08-4-6S
SDC08-4-L2B

Seals
B = Buna-N
V = Viton

Seals kit
354003319
354003919

P103 436E

* These terminations are not available on robust coil (R12D, R24D)



Cartridge Valves Technical Information

Solenoid valves

SV10-34-04



OPERATION

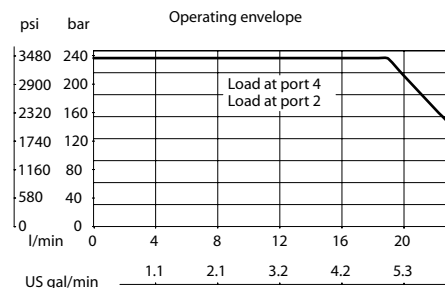
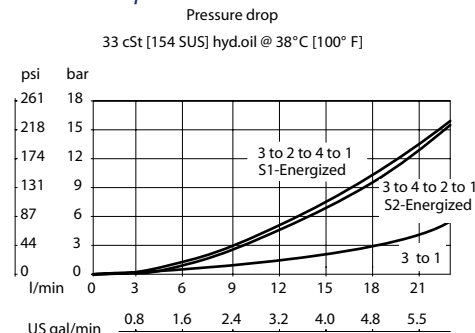
This is a direct-acting, 3-position, 4-way, spool-type solenoid valve.

SPECIFICATIONS

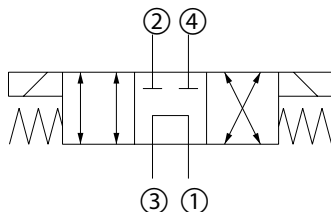
Specifications

Rated pressure	230 bar [3300 psi]
Rated flow at 7 bar [100 psi]	15 l/min [4 US gal/min]
Weight	0.81 kg [1.79 lb]
Cavity	SDC10-4
Standard Coil	M16 26 Watt
Robust Coil	R16 20 Watt

Theoretical performance



Schematic

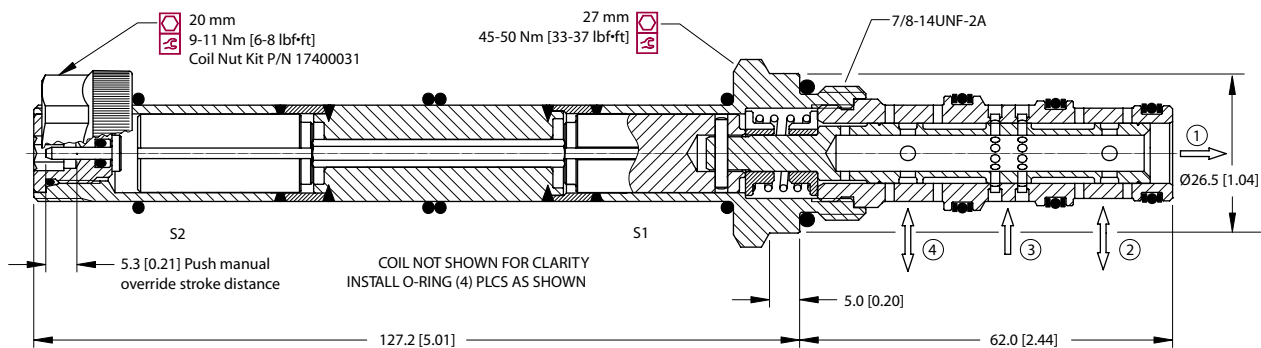


P102 394E

DIMENSIONS

mm [in]

Cross-sectional view



P103 556

ORDERING INFORMATION

SV10-34-04-12D-DN-B-00

Coil voltage

- 00 = No Coil
- 12D = 12 VDC (Standard Coil)
- 24D = 24 VDC (Standard Coil)
- R12D = 12 VDC (R-Coil)
- R24D = 24 VDC (R-Coil)

Coil termination:

- 00 = No Coil
- FL = Flying Lead
- DN = DIN 43650 *
- DE = Deutsch
- AJ = Amp Junior *
- SP = Spade *
- AS = AMP SuperSeal 1.5 and Metri-Pack 150 type 1

Body and ports

- 00 = Cartridge only
- 6S = Al, #6 SAE
- 8S = Al, #8 SAE
- L3B = Al, 3/8 BSP
- L4B = Al, 1/2 BSP

Other housings available

- | | |
|--------------|------------------|
| Seals | Seals kit |
| B = Buna-N | 354001919 |
| V = Viton | 354002019 |

Body Nomenclature

- No Body
- CP10-4-6S
- CP10-4-8S
- SDC10-4-L3B
- SDC10-4-L4B

P103 451E

* These terminations are not available on robust coil (R12D, R24D)



Cartridge Valves Technical Information

Solenoid valves

EDH 12/4308



OPERATION

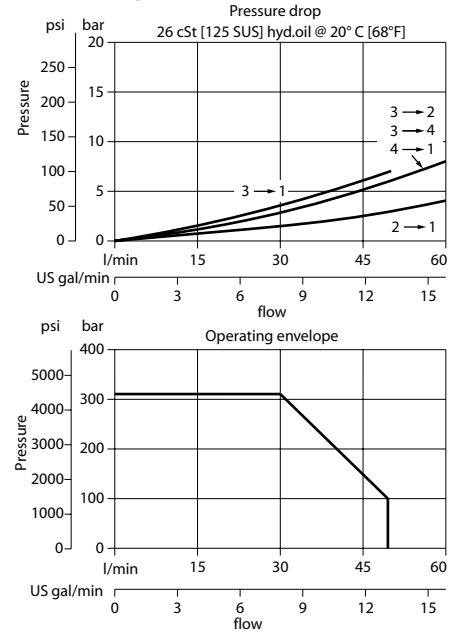
This is a direct-acting, 3-position, 4-way, spool-type solenoid valve.

SPECIFICATIONS

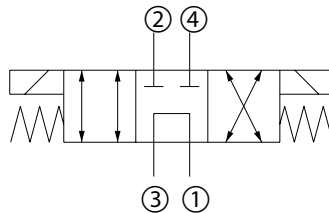
Specifications

Rated pressure	210 bar [3000 psi]
Rated flow at 7 bar [100 psi]	50 l/min [13 US gal/min]
Weight	1.40 kg [3.09 lb]
Cavity	NCS12/4
Standard Coil	M19 33 Watt

Theoretical performance



Schematic



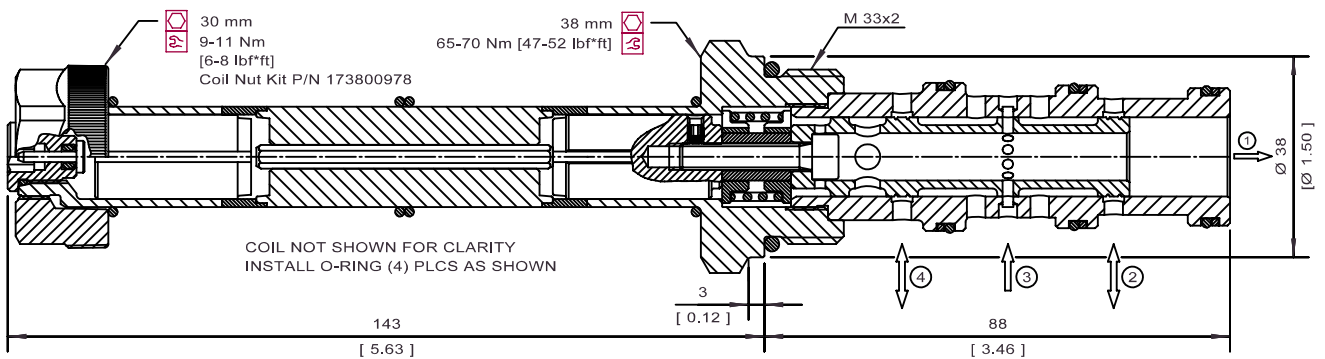
P102 394E

P103 822E

DIMENSIONS

mm [in]

Cross-sectional view



P103 908E

ORDERING INFORMATION

EDH 12 / 43 08 - 24C - A - 00 - V

- Voltage**
- 00 = No coil
 - 12C = 12 VDC coil
 - 24C = 24 VDC coil
- Termination**
- 00 = No coil
 - AMS = Amp SuperSeal 1.5
 - A = DIN 43650
 - FL600 = Lead Wires

- Seals**
- V = Viton
 - Omit = Buna-N
- Housing and ports**
- 00 = No Housing
 - L1/2 = AL, 1/2 BSP
 - L3/4 = AL, 3/4 BSP
 - L12S = AL, #12 SAE
 - Other housings available

- Seal kit**
- 230000480
 - 230000100
- Housing P/N**
- No Housing
 - NCS12/4-L-1/2
 - NCS12/4-L-3/4
 - NCS12/4-L-12S

P103 823E



Cartridge Valves Technical Information

Solenoid valves

SV08-34-03



OPERATION

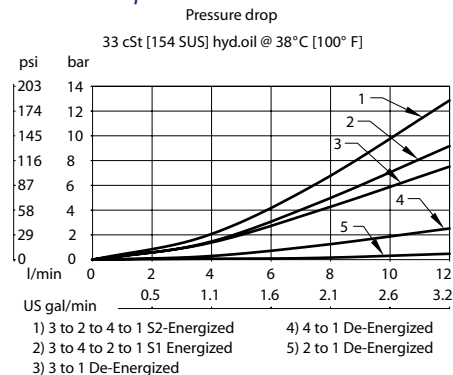
This is a direct-acting, 3-position, 4-way, spool-type solenoid valve.

SPECIFICATIONS

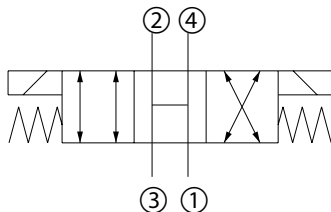
Specifications

Rated pressure	230 bar [3300 psi]
Rated flow at 7 bar [100 psi]	8 l/min [2 US gal/min]
Weight	0.55 kg [1.21 lb]
Cavity	SDC08-4
Standard Coil	M13 20 Watt
Robust Coil	R13 16 Watt

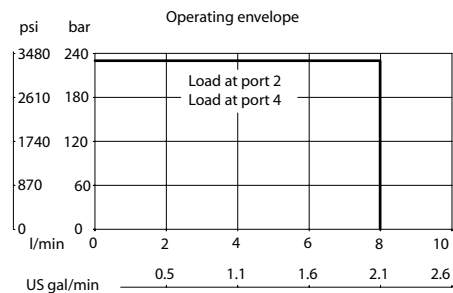
Theoretical performance



Schematic



P102 982

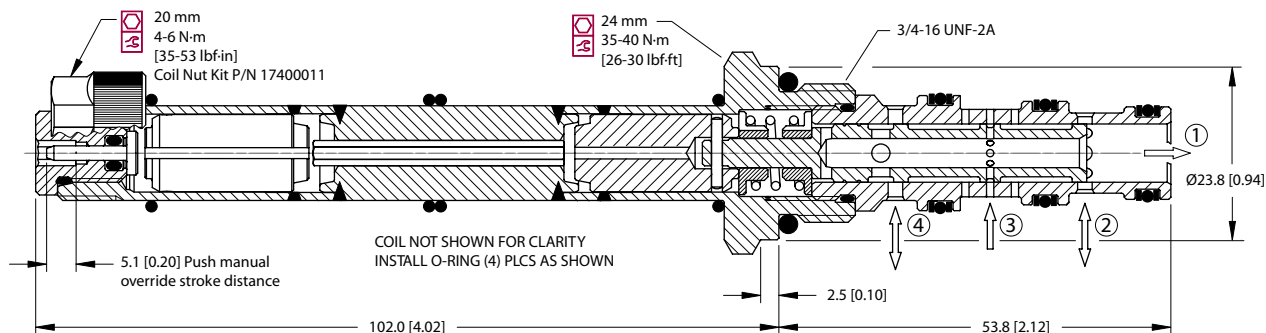


P103 574E

DIMENSIONS

mm [in]

Cross-sectional view



P103 473

ORDERING INFORMATION

SV08-34-03-12D-DN-B-00

Coil voltage

- 00 = No Coil
- 12D = 12 VDC (Standard Coil)
- 24D = 24 VDC (Standard Coil)
- R12D = 12 VDC (R-Coil)
- R24D = 24 VDC (R-Coil)

Coil termination:

- 00 = No Coil
- FL = Flying Lead
- DN = DIN 43650 *
- DE = Deutsch
- AJ = Amp Junior *
- SP = Spade *
- AS = AMP SuperSeal 1.5 and Metri-Pack 150 type 1

Body and ports

- 00 = Cartridge only
- 4S = Al, #4 SAE
- 6S = Al, #6 SAE
- L2B = Al, 1/4 BSP
- Other housings available

Seals

- B = Buna-N
- V = Viton

Body Nomenclature

- No Body
- CP08-4-4S
- CP08-4-6S
- SDC08-4-L2B

P103 435E

* These terminations are not available on robust coil (R12D, R24D)



Cartridge Valves Technical Information

Solenoid valves

SV10-34-03



OPERATION

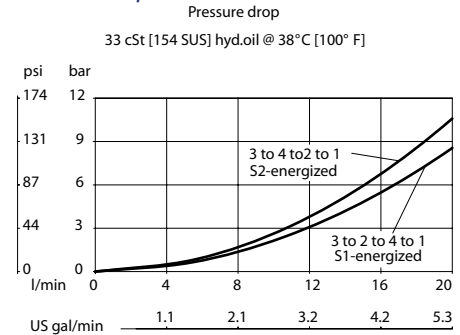
This is a direct-acting, 3-position, 4-way, spool-type solenoid valve.

SPECIFICATIONS

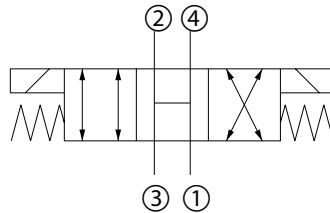
Specifications

Rated pressure	230 bar [3300 psi]
Rated flow at 7 bar [100 psi]	16 l/min [4 US gal/min]
Weight	0.81 kg [1.79 lb]
Cavity	SDC10-4
Standard Coil	M16 26 Watt
Robust Coil	R16 20 Watt

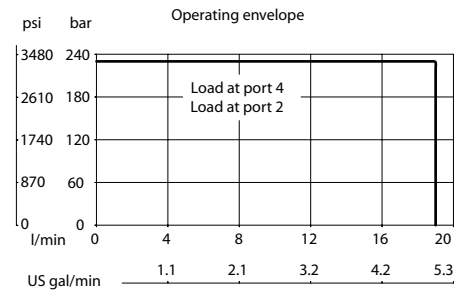
Theoretical performance



Schematic



P102 982

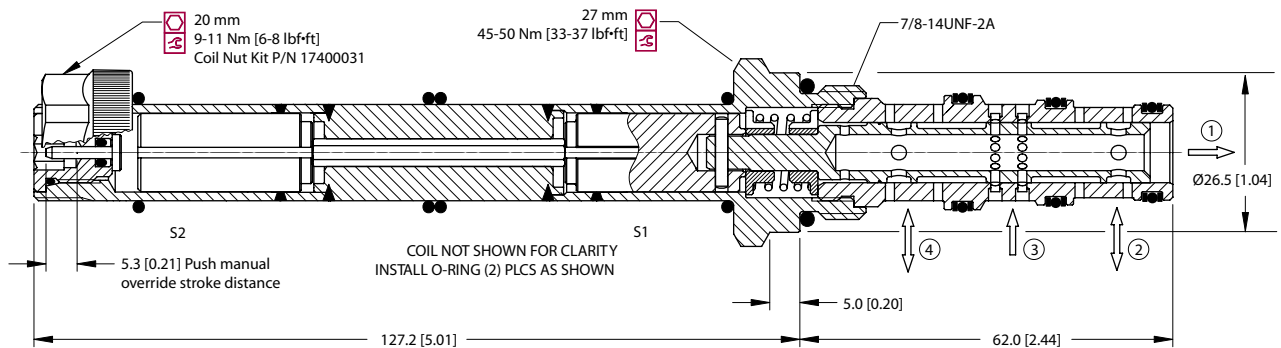


P103 589E

DIMENSIONS

mm [in]

Cross-sectional view



P103 555

ORDERING INFORMATION

SV10-34-03-12D-DN-B-00

- Coil voltage**
 00 = No Coil
 12D = 12 VDC (Standard Coil)
 24D = 24 VDC (Standard Coil)
 R12D = 12 VDC (R-Coil)
 R24D = 24 VDC (R-Coil)
- Coil termination:**
 00 = No Coil
 FL = Flying Lead
 DN = DIN 43650 *
 DE = Deutsch
 AJ = Amp Junior *
 SP = Spade *
 AS = AMP SuperSeal 1.5 and Metri-Pack 150 type 1

- Body and ports**
 00 = Cartridge only
 6S = Al, #6 SAE
 8S = Al, #8 SAE
 L3B = Al, 3/8 BSP
 L4B = Al, 1/2 BSP
 Other housings available
- Seals**
 B = Buna-N
 V = Viton

- Body Nomenclature**
 No Body
 CP10-4-6S
 CP10-4-8S
 SDC10-4-L3B
 SDC10-4-L4B

P103 450E

* These terminations are not available on robust coil (R12D, R24D)



Cartridge Valves Technical Information

Solenoid valves

EDH 12/4307



OPERATION

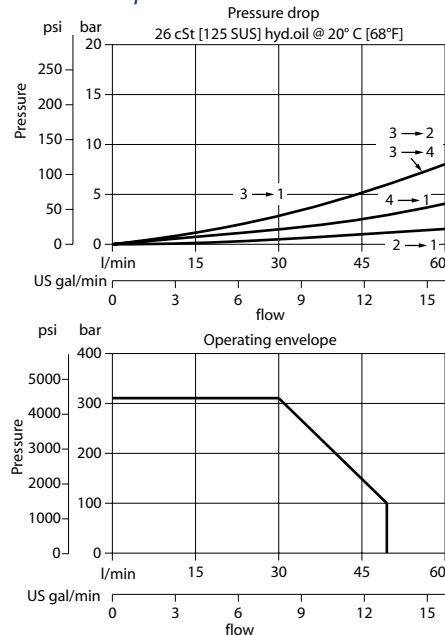
This is a direct-acting, 3-position, 4-way, spool-type solenoid valve.

SPECIFICATIONS

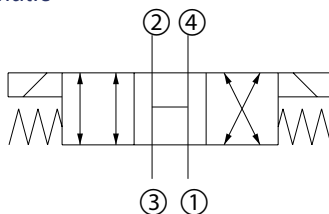
Specifications

Rated pressure	210 bar [3000 psi]
Rated flow at 7 bar [100 psi]	50 l/min [13 US gal/min]
Weight	1.40 kg [3.09 lb]
Cavity	NCS12/4
Standard Coil	M19 33 Watt

Theoretical performance



Schematic



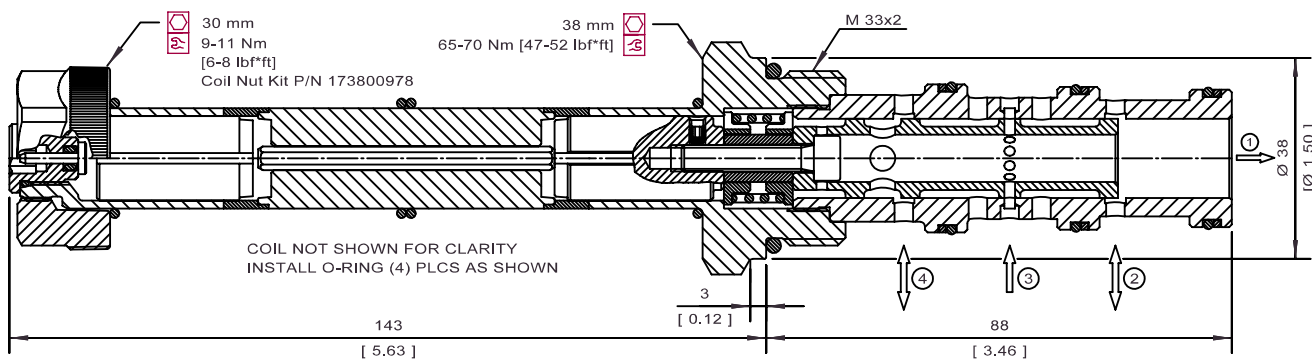
P102 982

P103 820E

DIMENSIONS

mm [in]

Cross-sectional view



P103 907E

ORDERING INFORMATION

EDH 12 / 43 07 - 24C - A - 00 - V

Voltage

- 00 = No coil
- 12C = 12 VDC coil
- 24C = 24 VDC coil

Termination

- 00 = No coil
- AMS = Amp SuperSeal 1.5
- A = DIN 43650
- FL600 = Lead Wires

Seals

- V = Viton
- Omit = Buna-N

Housing and ports

- 00 = No Housing
- L1/2 = AL, 1/2 BSP
- L3/4 = AL, 3/4 BSP
- L12S = AL, #12 SAE
- Other housings available

Seal kit

- 230000480
- 230000100

Housing P/N

- No Housing
- NCS12/4-L-1/2
- NCS12/4-L-3/4
- NCS12/4-L-12S

P103 821E



Cartridge Valves Technical Information

Solenoid valves

SV08-34-02



OPERATION

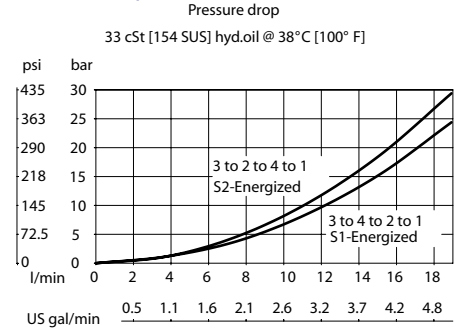
This is a direct-acting, 3-position, 4-way, spool-type solenoid valve.

SPECIFICATIONS

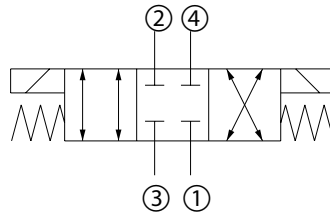
Specifications

Rated pressure	230 bar [3300 psi]
Rated flow at 7 bar [100 psi]	10 l/min [3 US gal/min]
Weight	0.55 kg [1.21 lb]
Cavity	SDC08-4
Standard Coil	M13 20 Watt
Robust Coil	R13 16 Watt

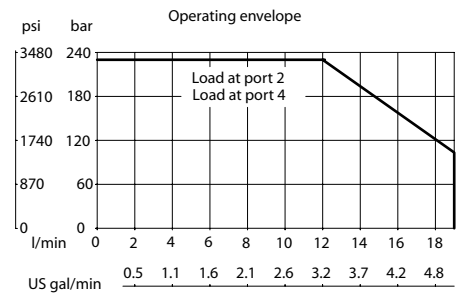
Theoretical performance



Schematic



P102 983

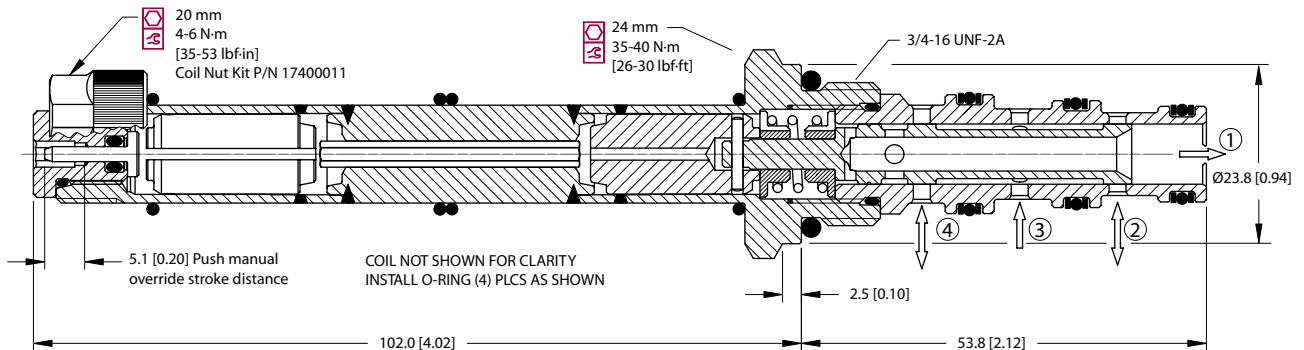


P103 573E

DIMENSIONS

mm [in]

Cross-sectional view



P103 472

ORDERING INFORMATION

SV08-34-02-12D-DN-B-00

Coil voltage
 00 = No Coil
 12D = 12 VDC (Standard Coil)
 24D = 24 VDC (Standard Coil)
 R12D = 12 VDC (R-Coil)
 R24D = 24 VDC (R-Coil)
Coil termination:
 00 = No Coil
 FL = Flying Lead
 DN = DIN 43650 *
 DE = Deutsch
 AJ = Amp Junior *
 SP = Spade *
 AS = AMP SuperSeal 1.5 and Metri-Pack 150 type 1

Body and ports
 00 = Cartridge only
 4S = Al, #4 SAE
 6S = Al, #6 SAE
 L2B = Al, 1/4 BSP
 Other housings available

Seals
 B = Buna-N
 V = Viton

Seals kit
 354003319
 354003919

Body Nomenclature
 No Body
 CP08-4-4S
 CP08-4-6S
 SDC08-4-L2B

P103 434E

* These terminations are not available on robust coil (R12D, R24D)

Solenoid valves
SV08-34-02



Cartridge Valves Technical Information

Solenoid valves

SV10-34-02



OPERATION

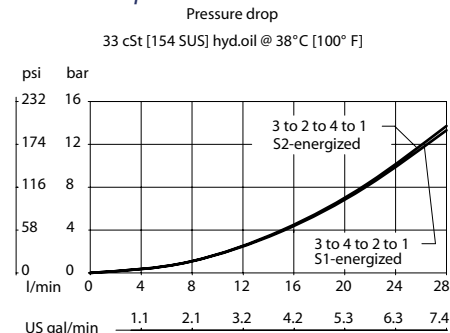
This is a direct-acting, 3-position, 4-way, spool-type solenoid valve.

SPECIFICATIONS

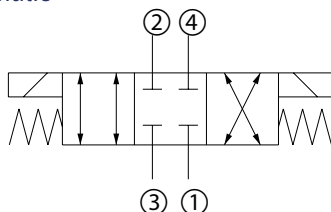
Specifications

Rated pressure	230 bar [3300 psi]
Rated flow at 7 bar [100 psi]	20 l/min [5 US gal/min]
Weight	0.81 kg [1.79 lb]
Cavity	SDC10-4
Standard Coil	M16 26 Watt
Robust Coil	R16 20 Watt

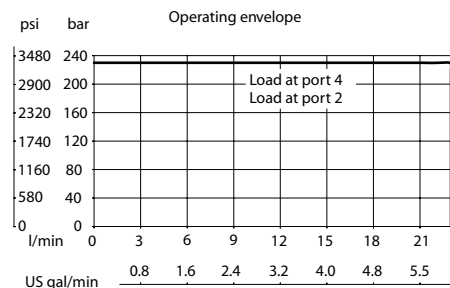
Theoretical performance



Schematic



P102 983

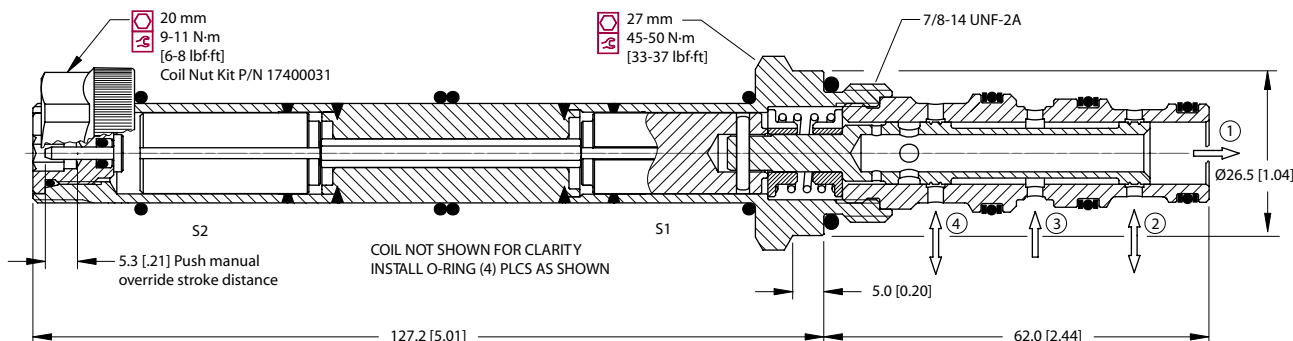


P103 588E

DIMENSIONS

mm [in]

Cross-sectional view



P103 554

ORDERING INFORMATION

SV10-34-02-12D-DN-B-00

Coil voltage
 00 = No Coil
 12D = 12 VDC (Standard Coil)
 24D = 24 VDC (Standard Coil)
 R12D = 12 VDC (R-Coil)
 R24D = 24 VDC (R-Coil)

Coil termination:
 00 = No Coil
 FL = Flying Lead
 DN = DIN 43650 *
 DE = Deutsch
 AJ = Amp Junior *
 SP = Spade *
 AS = AMP SuperSeal 1.5 and Metri-Pack 150 type 1

Body and ports

00 = Cartridge only
 6S = Al, #6 SAE
 8S = Al, #8 SAE
 L3B = Al, 3/8 BSP
 L4B = Al, 1/2 BSP

Other housings available

Seals
 B = Buna-N
 V = Viton

Body Nomenclature

No Body
 CP10-4-6S
 CP10-4-8S
 SDC10-4-L3B
 SDC10-4-L4B

P103 449E

* These terminations are not available on robust coil (R12D, R24D)

Solenoid valves SV10-34-02



Cartridge Valves Technical Information

Solenoid valves

EDH 12/4306



OPERATION

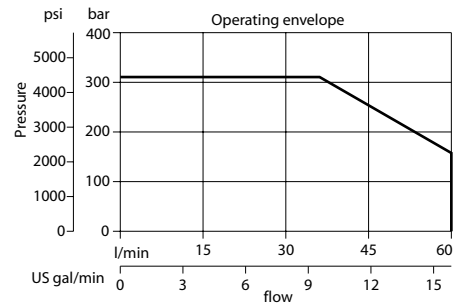
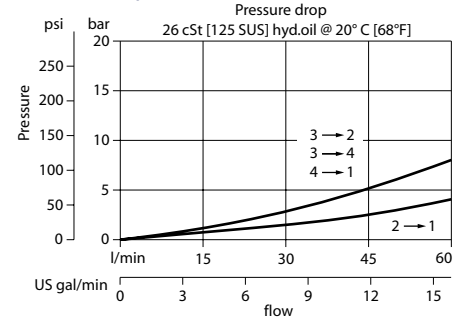
This is a direct-acting, 3-position, 4-way, spool-type solenoid valve.

SPECIFICATIONS

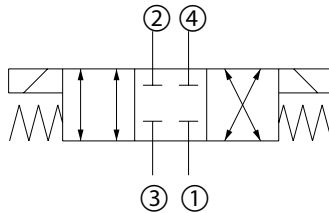
Specifications

Rated pressure	210 bar [3000 psi]
Rated flow at 7 bar [100 psi]	55 l/min [15 US gal/min]
Weight	1.40 kg [3.09 lb]
Cavity	NCS12/4
Standard Coil	M19 33 Watt

Theoretical performance



Schematic



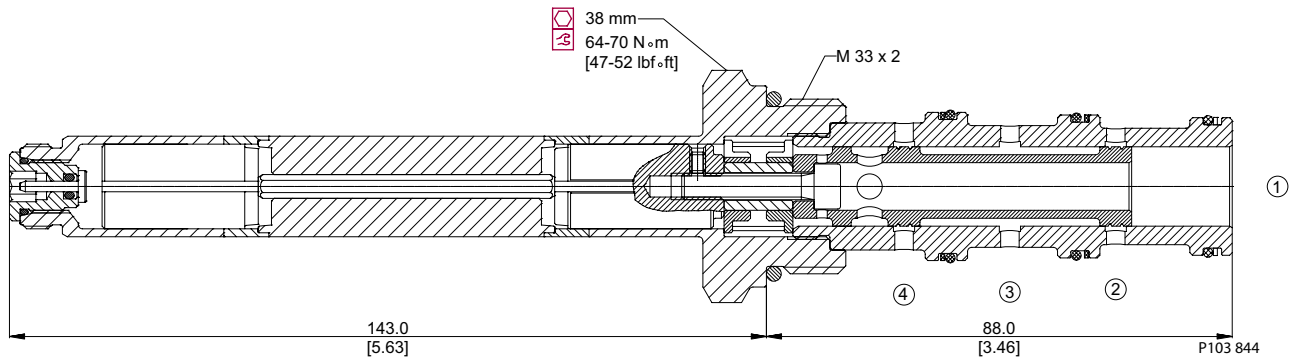
P102 983

P103 818E

DIMENSIONS

mm [in]

Cross-sectional view



ORDERING INFORMATION

EDH 12 / 43 06 - 24C - A - 00 - V

Voltage
00 = No coil
12C = 12 VDC coil
24C = 24 VDC coil

Termination
00 = No coil
AMS = Amp SuperSeal 1.5
A = DIN 43650
FL600 = Lead Wires

Seals
V = Viton
Omit = Buna-N

Housing and ports
00 = No Housing
L1/2 = AL, 1/2 BSP
L3/4 = AL, 3/4 BSP
L125 = AL, #12 SAE
Other housings available

Seal kit
230000480
230000100

Housing P/N
No Housing
NCS12/4-L-1/2
NCS12/4-L-3/4
NCS12/4-L-125

P103 819E



Cartridge Valves Technical Information

Solenoid valves

SV08-34-05



OPERATION

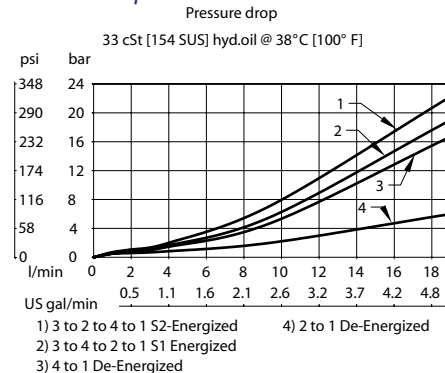
This is a direct-acting, 3-position, 4-way, spool-type solenoid valve.

SPECIFICATIONS

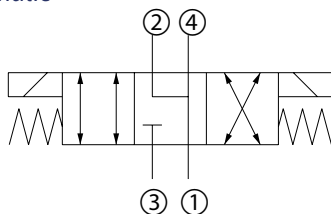
Specifications

Rated pressure	230 bar [3300 psi]
Rated flow at 7 bar [100 psi]	10 l/min [3 US gal/min]
Weight	0.55 kg [1.21 lb]
Cavity	SDC08-4
Standard Coil	M13 20 Watt
Robust Coil	R13 16 Watt

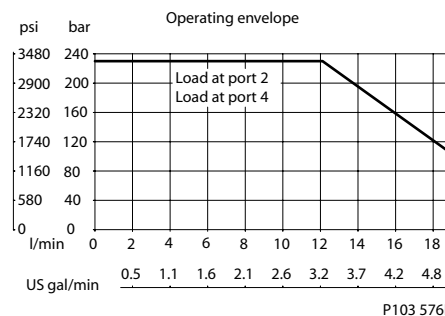
Theoretical performance



Schematic



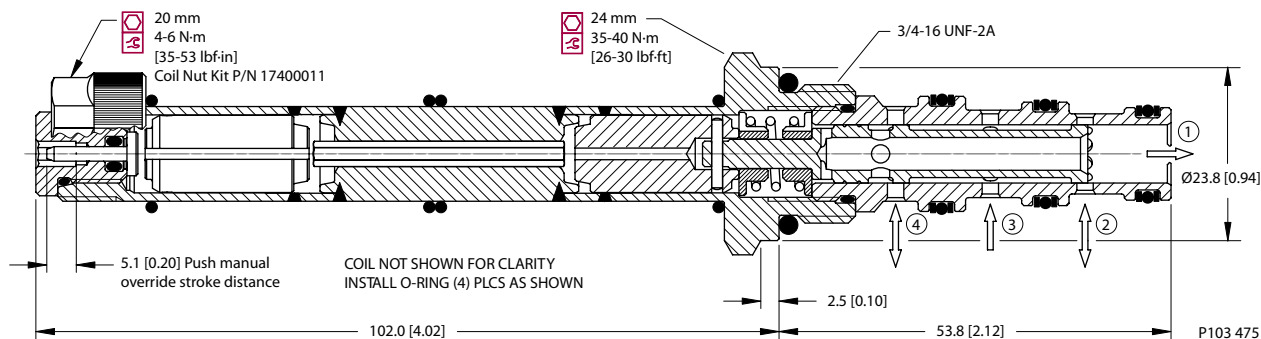
P102 984



DIMENSIONS

mm [in]

Cross-sectional view



ORDERING INFORMATION

SV08-34-05-12D-DN-B-00

Coil voltage
00 = No Coil
12D = 12 VDC (Standard Coil)
24D = 24 VDC (Standard Coil)
R12D = 12 VDC (R-Coil)
R24D = 24 VDC (R-Coil)
Coil termination:
00 = No Coil
FL = Flying Lead
DN = DIN 43650 *
DE = Deutsch
AJ = Amp Junior *
SP = Spade *
AS = AMP SuperSeal 1.5 and Metri-Pack 150 type 1

Body and ports
00 = Cartridge only
4S = Al, #4 SAE
6S = Al, #6 SAE
L2B = Al, 1/4 BSP
Other housings available

Seals **Seals kit**
B = Buna-N 354003319
V = Viton 354003919

Body Nomenclature
No Body
CP08-4-4S
CP08-4-6S
SDC08-4-L2B

P103 437E

* These terminations are not available on robust coil (R12D, R24D)



Cartridge Valves Technical Information

Solenoid valves

SV10-34-05



OPERATION

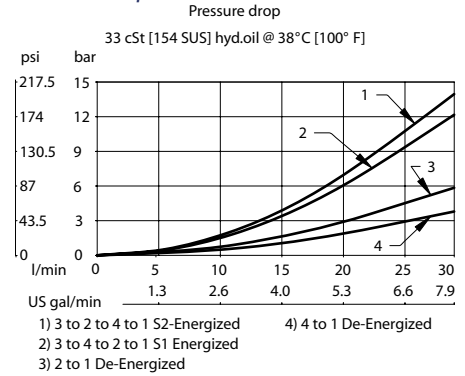
This is a direct-acting, 3-position, 4-way, spool-type solenoid valve.

SPECIFICATIONS

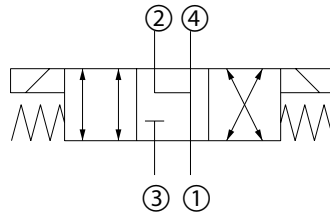
Specifications

Rated pressure	230 bar [3300 psi]
Rated flow at 7 bar [100 psi]	20 l/min [5 US gal/min]
Weight	0.81 kg [1.79 lb]
Cavity	SDC10-4
Standard Coil	M16 26 Watt
Robust Coil	R16 20 Watt

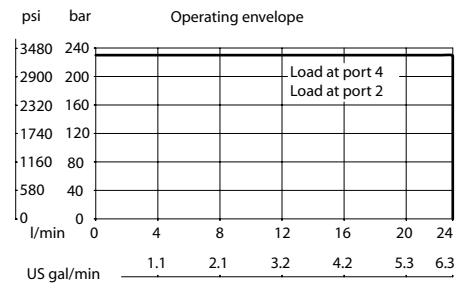
Theoretical performance



Schematic



P102 984

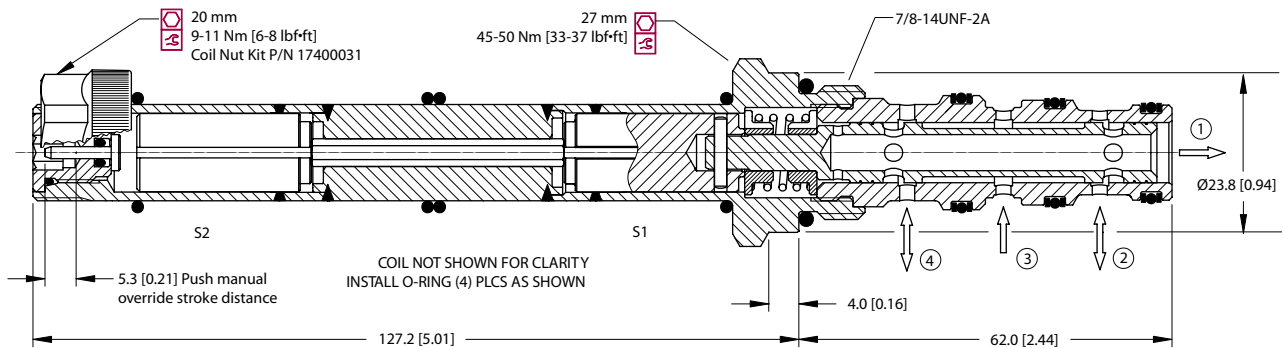


P103 591E

DIMENSIONS

mm [in]

Cross-sectional view



P103 557

ORDERING INFORMATION

SV10-34-05-12D-DN-B-00

Coil voltage

- 00 = No Coil
- 12D = 12 VDC (Standard Coil)
- 24D = 24 VDC (Standard Coil)
- R12D = 12 VDC (R-Coil)
- R24D = 24 VDC (R-Coil)

Coil termination:

- 00 = No Coil
- FL = Flying Lead
- DN = DIN 43650 *
- DE = Deutsch
- AJ = Amp Junior *
- SP = Spade *
- AS = AMP SuperSeal 1.5 and Metri-Pack 150 type 1

Body and ports

- 00 = Cartridge only
- 6S = Al, #6 SAE
- 8S = Al, #8 SAE
- L3B = Al, 3/8 BSP
- L4B = Al, 1/2 BSP
- Other housings available

Seals

- B = Buna-N
- V = Viton

Seals kit

- 354001919
- 354002019

Body Nomenclature

- No Body
- CP10-4-6S
- CP10-4-8S
- SDC10-4-L3B
- SDC10-4-L4B

P103 452E

* These terminations are not available on robust coil (R12D,R24D)



Cartridge Valves Technical Information

Solenoid valves

EDH 12/4309



OPERATION

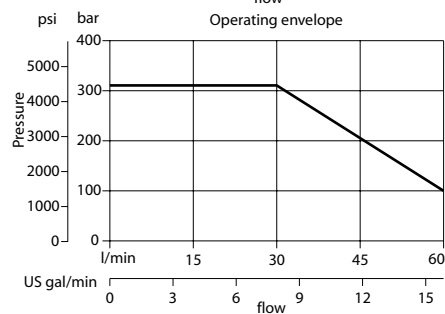
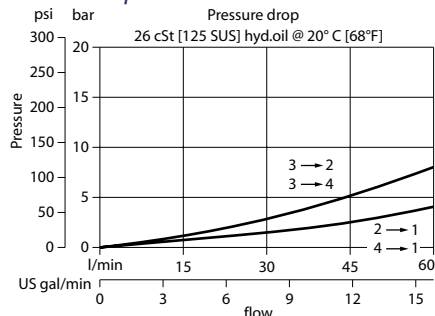
This is a direct-acting, 3-position, 4-way, spool-type solenoid valve.

SPECIFICATIONS

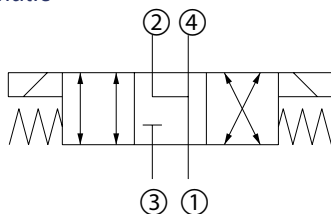
Specifications

Rated pressure	210 bar [3000 psi]
Rated flow at 7 bar [100 psi]	55 l/min [15 US gal/min]
Weight	1.40 kg [3.09 lb]
Cavity	NCS12/4
Standard Coil	M19 33 Watt

Theoretical performance



Schematic

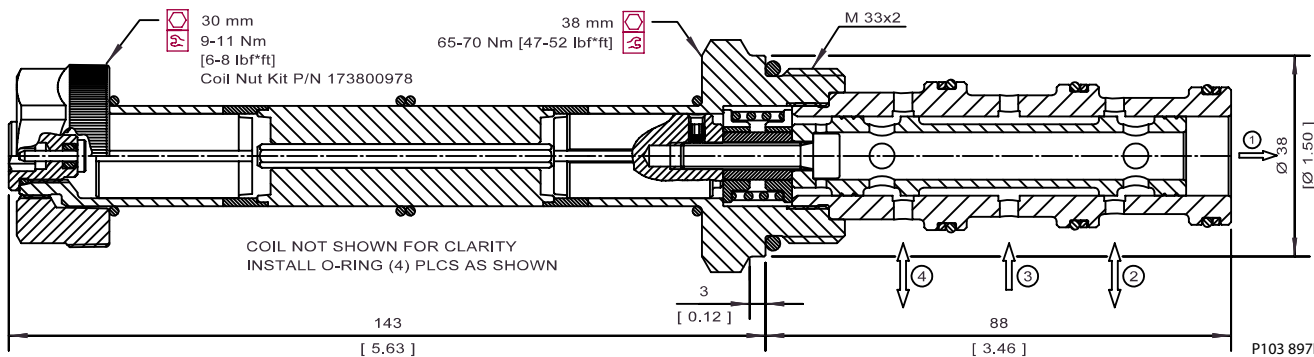


P102 984

DIMENSIONS

mm [in]

Cross-sectional view



ORDERING INFORMATION

EDH 12 / 43 09 - 24C - A - 00 - V

Voltage
00 = No coil
12C = 12 VDC coil
24C = 24 VDC coil

Termination
00 = No coil
AMS = Amp SuperSeal 1.5
A = DIN 43650
FL600 = Lead Wires

Seals
V = Viton
Omit = Buna-N

Housing and ports
00 = No Housing
L1/2 = AL, 1/2 BSP
L3/4 = AL, 3/4 BSP
L12S = AL, #12 SAE
Other housings available

Seal kit
230000480
230000100

Housing P/N
No Housing
NCS12/4-L-1/2
NCS12/4-L-3/4
NCS12/4-L-12S

P103 817E



Cartridge Valves Technical Information

Solenoid valves

SV10-34-09



OPERATION

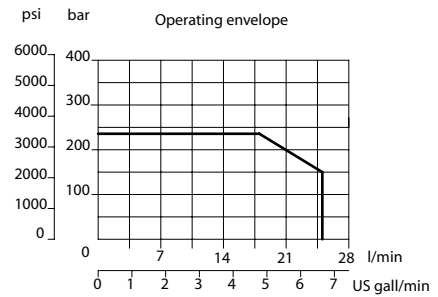
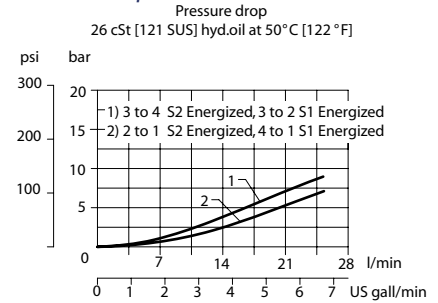
This is a direct-acting, 3-position, 4-way, spool-type solenoid valve.

SPECIFICATIONS

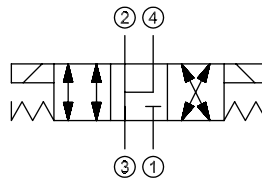
Specifications

Rated pressure	230 bar [3300 psi]
Rated flow at 7 bar [100 psi]	20 l/min [5 US gal/min]
Weight	0.81 kg [1.79 lb]
Cavity	SDC10-4
Standard Coil	M16 26 Watt
Robust Coil	R16 20 Watt

Theoretical performance



Schematic



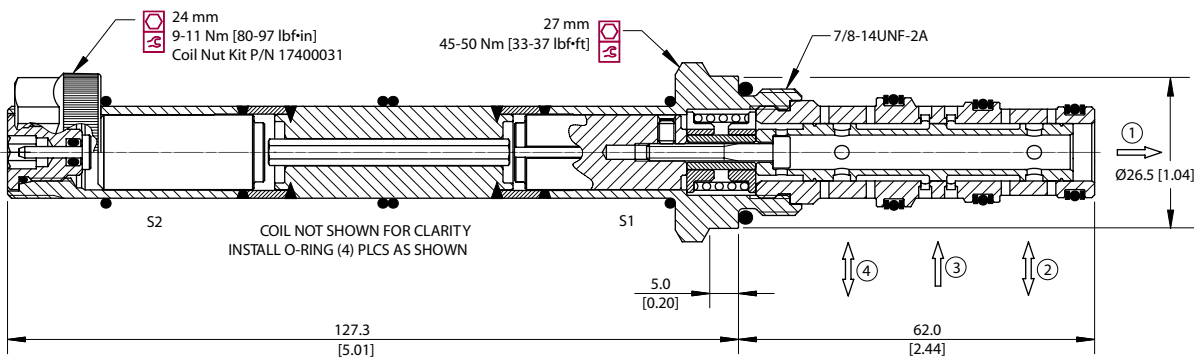
P103 540

P103 595E

DIMENSIONS

mm [in]

Cross-sectional view



P103 561

ORDERING INFORMATION

SV10-34-09-12D-DN-B-00

Coil voltage
 00 = No Coil
 12D = 12 VDC (Standard Coil)
 24D = 24 VDC (Standard Coil)
 R12D = 12 VDC (R-Coil)
 R24D = 24 VDC (R-Coil)
Coil termination:
 00 = No Coil
 FL = Flying Lead
 DN = DIN 43650 *
 DE = Deutsch
 AJ = Amp Junior *
 SP = Spade *
 AS = AMP SuperSeal 1.5 and Metri-Pack 150 type 1

Body and ports
 00 = Cartridge only
 6S = Al, #6 SAE
 8S = Al, #8 SAE
 L3B = Al, 3/8 BSP
 L4B = Al, 1/2 BSP
 Other housings available

Seals
 B = Buna-N
 V = Viton

Seals kit
 354001919
 354002019

Body Nomenclature
 No Body
 CP10-4-6S
 CP10-4-8S
 SDC10-4-L3B
 SDC10-4-L4B

P103 456E

* These terminations are not available on robust coil (R12D, R24D)



Cartridge Valves Technical Information

Solenoid valves

SV10-34-06



OPERATION

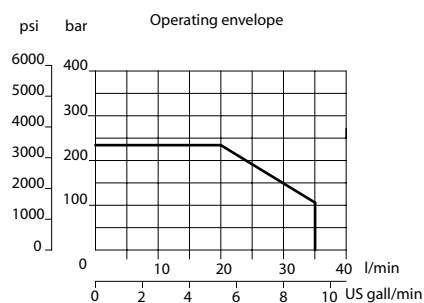
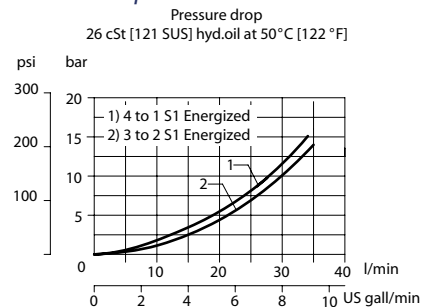
This is a direct-acting, 3-position, 4-way, spool-type solenoid valve.

SPECIFICATIONS

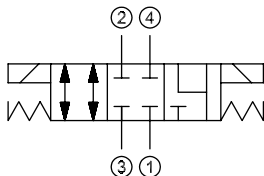
Specifications

Rated pressure	230 bar [3300 psi]
Rated flow at 7 bar [100 psi]	24 l/min [6 US gal/min]
Weight	0.81 kg [1.79 lb]
Cavity	SDC10-4
Standard Coil	M16 26 Watt
Robust Coil	R16 20 Watt

Theoretical performance



Schematic



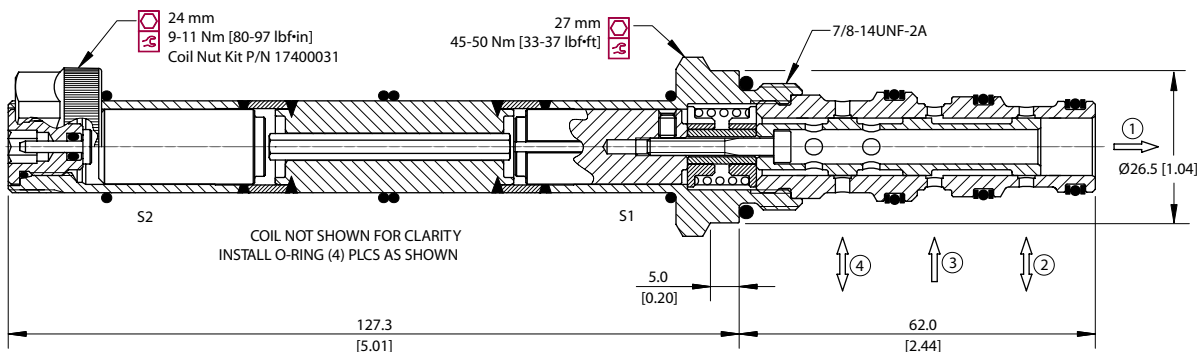
P103 538

P103 592E

DIMENSIONS

mm [in]

Cross-sectional view



P103 558

ORDERING INFORMATION

SV10-34-06-12D-DN-B-00

Coil voltage

- 00 = No Coil
- 12D = 12 VDC (Standard Coil)
- 24D = 24 VDC (Standard Coil)
- R12D = 12 VDC (R-Coil)
- R24D = 24 VDC (R-Coil)

Coil termination:

- 00 = No Coil
- FL = Flying Lead
- DN = DIN 43650 *
- DE = Deutsch
- AJ = Amp Junior *
- SP = Spade *
- AS = AMP SuperSeal 1.5 and Metri-Pack 150 type 1

Body and ports

- 00 = Cartridge only
- 6S = Al, #6 SAE
- 8S = Al, #8 SAE
- L3B = Al, 3/8 BSP
- L4B = Al, 1/2 BSP

Other housings available

Seals

- B = Buna-N 354001919
- V = Viton 354002019

Body Nomenclature

- No Body
- CP10-4-6S
- CP10-4-8S
- SDC10-4-L3B
- SDC10-4-L4B

P103 453E

* These terminations are not available on robust coil (R12D, R24D)



Cartridge Valves Technical Information

Solenoid valves

SV10-34-10



OPERATION

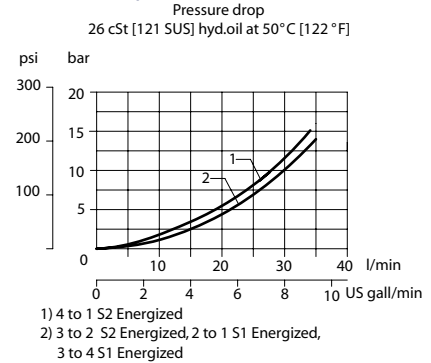
This is a direct-acting, 3-position, 4-way, spool-type solenoid valve.

SPECIFICATIONS

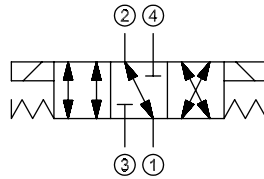
Specifications

Rated pressure	230 bar [3300 psi]
Rated flow at 7 bar [100 psi]	24 l/min [6 US gal/min]
Weight	0.81 kg [1.79 lb]
Cavity	SDC10-4
Standard Coil	M16 26 Watt
Robust Coil	R16 20 Watt

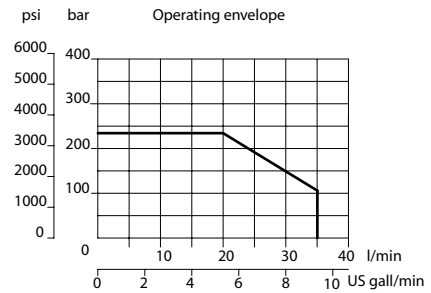
Theoretical performance



Schematic



P103 541

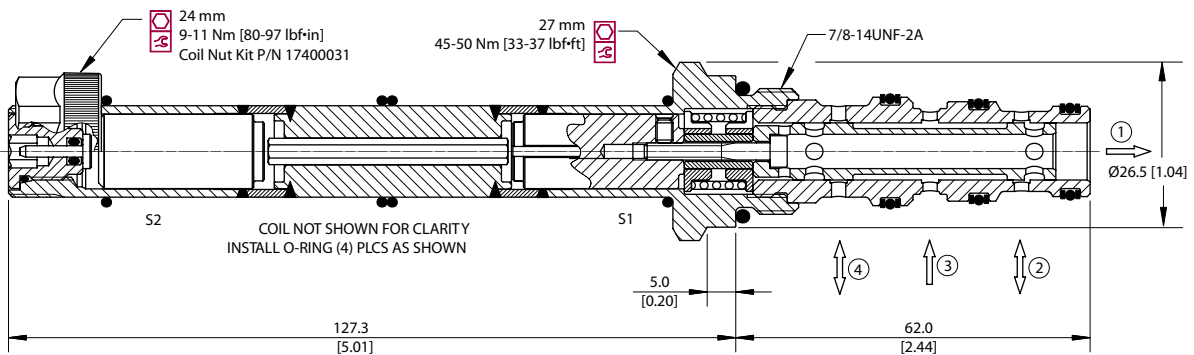


P103 596E

DIMENSIONS

mm [in]

Cross-sectional view



P103 562

ORDERING INFORMATION

SV10-34-10-12D-DN-B-00

Coil voltage
00 = No Coil
12D = 12 VDC (Standard Coil)
24D = 24 VDC (Standard Coil)
R12D = 12 VDC (R-Coil)
R24D = 24 VDC (R-Coil)
Coil termination:
00 = No Coil
FL = Flying Lead
DN = DIN 43650 *
DE = Deutsch
AJ = Amp Junior *
SP = Spade *
AS = AMP SuperSeal 1.5 and Metri-Pack 150 type 1

Body and ports
00 = Cartridge only
6S = Al, #6 SAE
8S = Al, #8 SAE
L3B = Al, 3/8 BSP
L4B = Al, 1/2 BSP
Other housings available

Seals
B = Buna-N
V = Viton

Seals kit
354001919
354002019

Body Nomenclature
No Body
CP10-4-6S
CP10-4-8S
SDC10-4-L3B
SDC10-4-L4B

P103 457E

* These terminations are not available on robust coil (R12D, R24D)



Cartridge Valves Technical Information

Solenoid valves

SV10-34-11



OPERATION

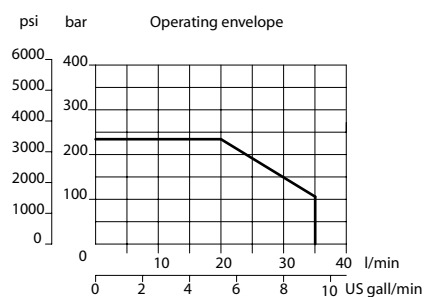
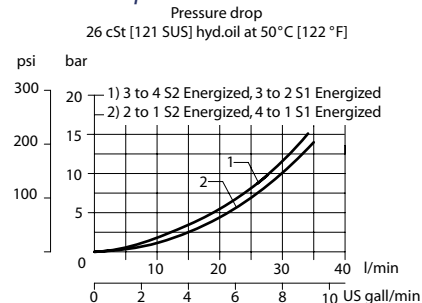
This is a direct-acting, 3-position, 4-way, spool-type solenoid valve.

SPECIFICATIONS

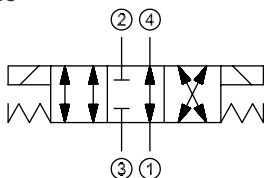
Specifications

Rated pressure	230 bar [3300 psi]
Rated flow at 7 bar [100 psi]	24 l/min [6 US gal/min]
Weight	0.81 kg [1.79 lb]
Cavity	SDC10-4
Standard Coil	M16 26 Watt
Robust Coil	R16 20 Watt

Theoretical performance



Schematic



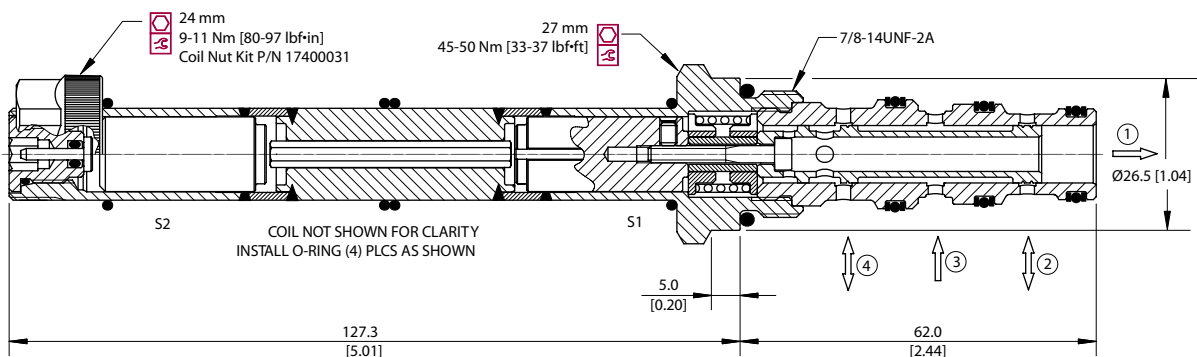
P103 542

P103 597E

DIMENSIONS

mm [in]

Cross-sectional view



P103 563

ORDERING INFORMATION

SV10-34-11-12D-DN-B-00

Coil voltage

- 00 = No Coil
- 12D = 12 VDC (Standard Coil)
- 24D = 24 VDC (Standard Coil)
- R12D = 12 VDC (R-Coil)
- R24D = 24 VDC (R-Coil)

Coil termination:

- 00 = No Coil
- FL = Flying Lead
- DN = DIN 43650 *
- DE = Deutsch
- AJ = Amp Junior *
- SP = Spade *
- AS = AMP SuperSeal 1.5 and Metri-Pack 150 type 1

Body and ports

- 00 = Cartridge only
- 65 = Al, #6 SAE
- 85 = Al, #8 SAE
- L3B = Al, 3/8 BSP
- L4B = Al, 1/2 BSP
- Other housings available

Seals

- B = Buna-N
- V = Viton

Seals kit

- 354001919
- 354002019

Body Nomenclature

- No Body
- CP10-4-6S
- CP10-4-8S
- SDC10-4-L3B
- SDC10-4-L4B

P103 458E

* These terminations are not available on robust coil (R12D, R24D)

Solenoid valves SV10-34-11



Cartridge Valves Technical Information

Solenoid valves

SV10-34-08



OPERATION

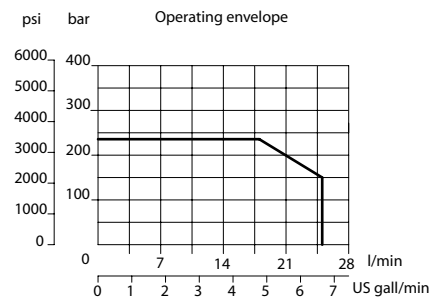
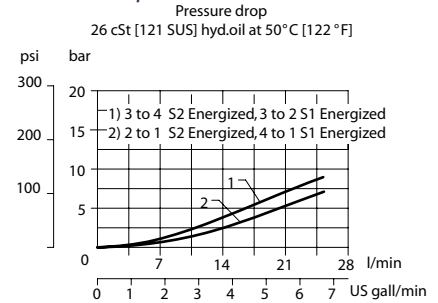
This is a direct-acting, 3-position, 4-way, spool-type solenoid valve.

SPECIFICATIONS

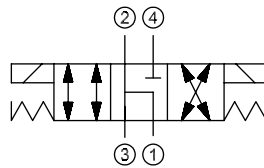
Specifications

Rated pressure	230 bar [3300 psi]
Rated flow at 7 bar [100 psi]	21 l/min [6 US gal/min]
Weight	0.81 kg [1.79 lb]
Cavity	SDC10-4
Standard Coil	M16 26 Watt
Robust Coil	R16 20 Watt

Theoretical performance



Schematic



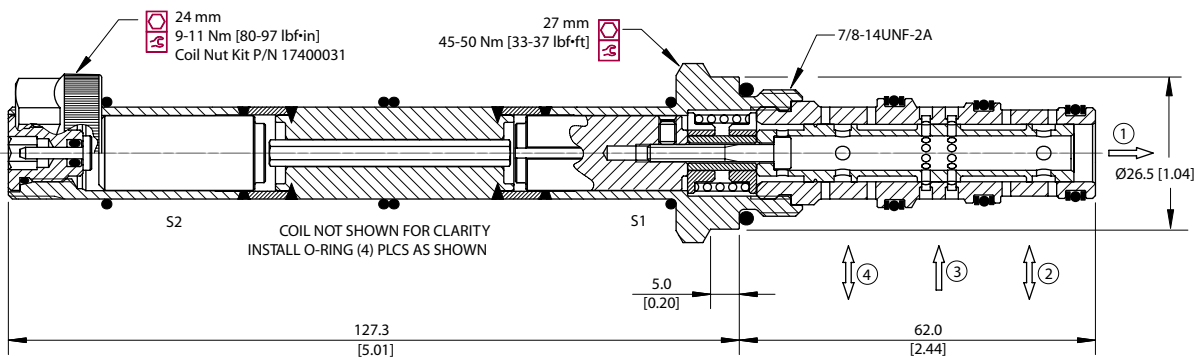
P103 539

P103 594E

DIMENSIONS

mm [in]

Cross-sectional view



P103 560

ORDERING INFORMATION

SV10-34-08-12D-DN-B-00

Coil voltage
 00 = No Coil
 12D = 12 VDC (Standard Coil)
 24D = 24 VDC (Standard Coil)
 R12D = 12 VDC (R-Coil)
 R24D = 24 VDC (R-Coil)
Coil termination:
 00 = No Coil
 FL = Flying Lead
 DN = DIN 43650 *
 DE = Deutsch
 AJ = Amp Junior *
 SP = Spade *
 AS = AMP SuperSeal 1.5 and Metri-Pack 150 type 1

Body and ports
 00 = Cartridge only
 6S = Al, #6 SAE
 8S = Al, #8 SAE
 L3B = Al, 3/8 BSP
 L4B = Al, 1/2 BSP
 Other housings available

Seals
 B = Buna-N
 V = Viton

Seals kit
 354001919
 354002019

Body Nomenclature
 No Body
 CP10-4-6S
 CP10-4-8S
 SDC10-4-L3B
 SDC10-4-L4B

P103 455E

* These terminations are not available on robust coil (R12D, R24D)



Cartridge Valves Technical Information

Solenoid valves

SV10-34-07



OPERATION

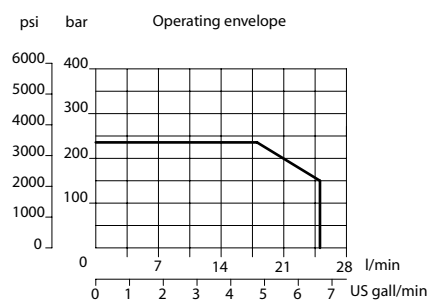
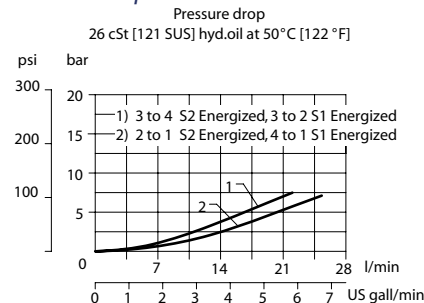
This is a direct-acting, 3-position, 4-way, spool-type solenoid valve.

SPECIFICATIONS

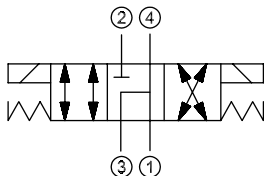
Specifications

Rated pressure	230 bar [3300 psi]
Rated flow at 7 bar [100 psi]	20 l/min [5 US gal/min]
Weight	0.81 kg [1.79 lb]
Cavity	SDC10-4
Standard Coil	M16 26 Watt
Robust Coil	R16 20 Watt

Theoretical performance



Schematic



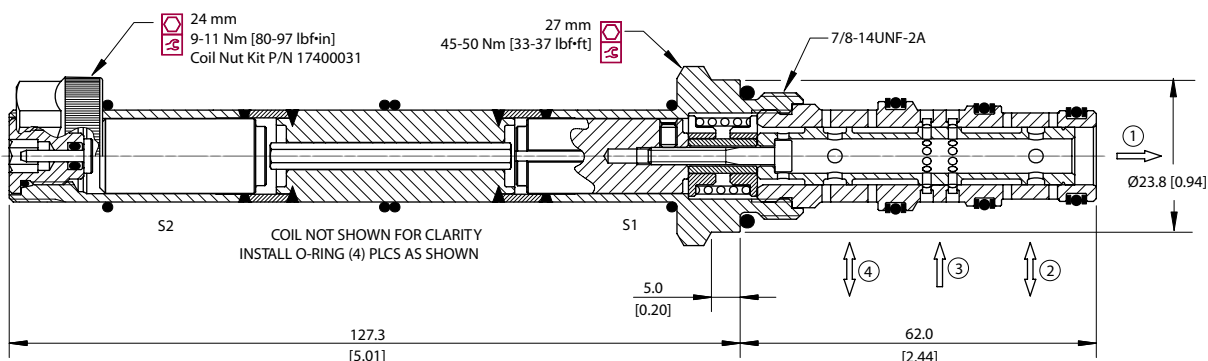
P103 534

P103 593E

DIMENSIONS

mm [in]

Cross-sectional view



P103 559

ORDERING INFORMATION

SV10-34-07-12D-DN-B-00

Coil voltage

- 00 = No Coil
- 12D = 12 VDC (Standard Coil)
- 24D = 24 VDC (Standard Coil)
- R12D = 12 VDC (R-Coil)
- R24D = 24 VDC (R-Coil)

Coil termination:

- 00 = No Coil
- FL = Flying Lead
- DN = DIN 43650 *
- DE = Deutsch
- AJ = Amp Junior *
- SP = Spade *
- AS = AMP SuperSeal 1.5 and Metri-Pack 150 type 1

Body and ports

- 00 = Cartridge only
- 65 = Al, #6 SAE
- 8S = Al, #8 SAE
- L3B = Al, 3/8 BSP
- L4B = Al, 1/2 BSP
- Other housings available

- | | |
|--------------|------------------|
| Seals | Seals kit |
| B = Buna-N | 354001919 |
| V = Viton | 354002019 |

Body Nomenclature

- No Body
- CP10-4-6S
- CP10-4-8S
- SDC10-4-L3B
- SDC10-4-L4B

P103 454E

* These terminations are not available on robust coil (R12D, R24D)

Solenoid valves
SV10-34-07



Cartridge Valves Technical Information

Solenoid valves

EDH 12/4310



OPERATION

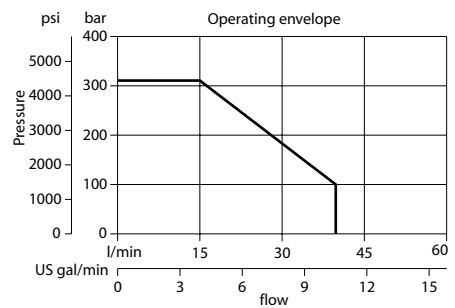
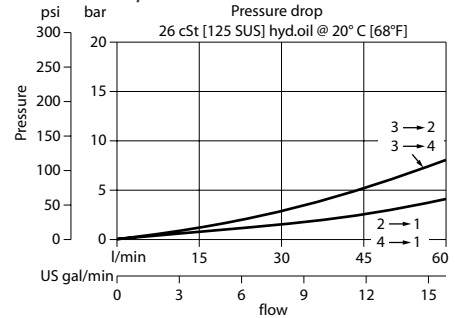
This is a direct-acting, 3-position, 4-way, spool-type solenoid valve.

SPECIFICATIONS

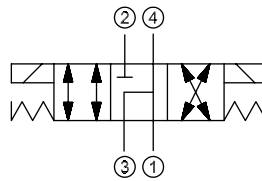
Specifications

Rated pressure	210 bar [3000 psi]
Rated flow at 7 bar [100 psi]	40 l/min [11 US gal/min]
Weight	1.40 kg [3.09 lb]
Cavity	NCS12/4
Standard Coil	M19 33 Watt

Theoretical performance



Schematic



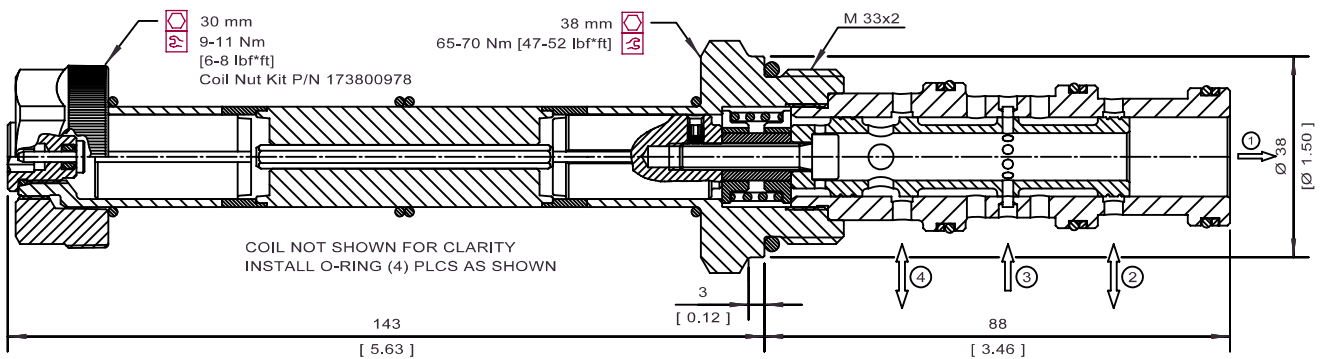
P103 534

P103 828E

DIMENSIONS

mm [in]

Cross-sectional view



P103 909E

ORDERING INFORMATION

EDH 12 / 43 10 - 24C - A - 00 - V

- Voltage**
- 00 = No coil
 - 12C = 12 VDC coil
 - 24C = 24 VDC coil
- Termination**
- 00 = No coil
 - AMS = Amp SuperSeal 1.5
 - A = DIN 43650
 - FL600 = Lead Wires

- Seals**
- V = Viton
 - Omit = Buna-N
- Seal kit**
- 230000480
 - 230000100
- Housing and ports**
- 00 = No Housing
 - L1/2 = AL, 1/2 BSP
 - L3/4 = AL, 3/4 BSP
 - L125 = AL, #12 SAE
 - Other housings available
- Housing P/N**
- No Housing
 - NCS12/4-L-1/2
 - NCS12/4-L-3/4
 - NCS12/4-L-125

P103 829E



Cartridge Valves Technical Information
Solenoid valves
Notes

