

Spreaders

HYDRAULIC

1-1/2 Ton

It's a hydraulic pry bar!



HS2000
(Forged Steel)

HS3000
(High Grade
Ductile Iron)



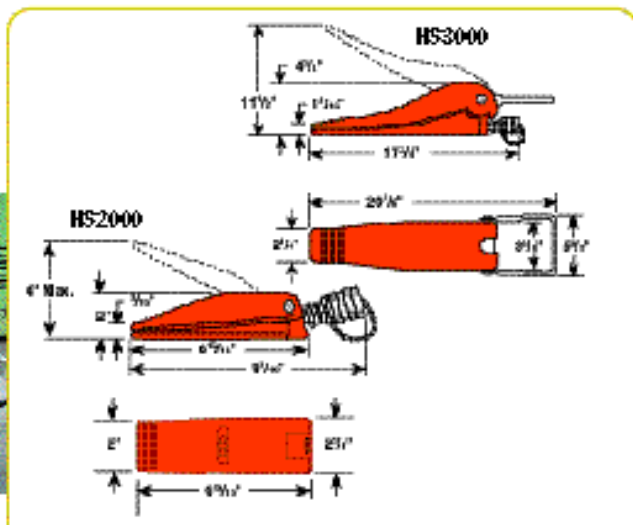
Tested to conform to ASME
B30.1 standard

- Use to lift machines or as a clamp, spread concrete forms or rebar or perform straightening jobs.
 - Conforms to ASME B30.1 standard.
 - High strength alloy steel forged upper and lower jaws on HS2000.
 - Jaws are spring-return; retract automatically when pressure is released.
- HS2000** – 1-ton capacity spreader. Full 2,000 lbs. capacity at 10,000 psi. with 4" spread. Can be "dead-ended"

at 4" spread under full load. Needs only 3/8" clearance to engage jaws.

HS3000 – 1 1/2-ton capacity spreader. Full 3,000 lb. capacity at 10,000 psi. with 11 1/2" spread. Greater than competitive units. Needs only 1 1/2" clearance to engage jaws. Can be "dead-ended" at 11 1/2" spread at full load.

HYDRAULIC TOOLS



Capacity (Tons)	Max. Spread (in.)	Order Number	A	B	C	D	E	F	G	H	I	Oil Capacity (cu. in.)	Min. Clearance Required	Weight (lbs.)
1	4	HS2000	4	2	3/8	6 3/8	9 3/8	2	6 3/8	2 1/2	—	63	3/8	4.8
1 1/2	11 1/2	HS3000	11 1/2	4 1/2	1 1/2	—	17 1/2	2 1/2	20 1/2	5 1/2	3 1/2	3.5	1 1/2	22

HS2000 SPECIFICATIONS

Maximum rated capacity... 1 ton @ 10,000 psi
 Maximum spread..... 4"
 Minimum clearance required..... 3/8"
 Cu. h. oil required 63

HS3000 SPECIFICATIONS

Maximum rated capacity... 1 1/2-ton @ 10,000 psi
 Maximum spread..... 11 1/2"
 Minimum clearance required..... 1 1/2"
 Cu. h. oil required 3.50