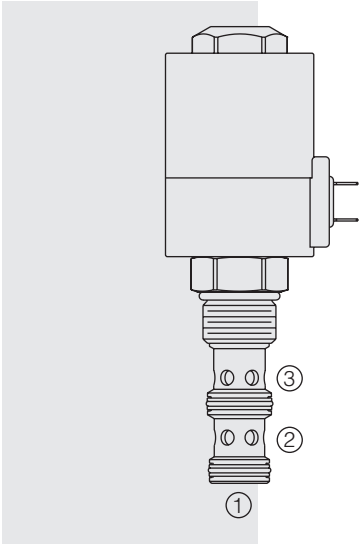


SV12-34 Spool, 3-Way



DESCRIPTION

A solenoid-operated, three-way, direct-acting spool-type, screw-in hydraulic cartridge valve.

OPERATION

When de-energized, the **SV12-34** allows flow between ② and ①, while blocking flow at ③. When energized, the spool shifts to allow flow between ② and ③, while blocking flow at ①.

FEATURES

- Continuous-duty rated solenoid.
- Hardened spool and cage for long life.
- Optional coil voltages and terminations.
- All ports may be fully pressurized.
- Heavy-duty waterproof E-Coils rated up to IP69K.

RATINGS

Operating Pressure: 240 bar (3500 psi) max.

Flow: See Performance Chart

Leakage: 410 cc/minute (25 cu. in./minute) at 240 bar (3500 psi)

Temperature: -40 to 120 °C with Buna N seals

Coil Duty Rating: See Chart

Response Time: Pull-In: 100 ms Drop-Out: 100 msec

Initial Coil Current Draw at 20 °C: 2.8 A at 12 Vdc

Filtration: See page 9.010.1

Fluids: Mineral-based or synthetics with lubricating properties at viscosities of 7.4 to 420 cSt (50 to 2000 sus); See Temperature and Oil Viscosity, page 9.060.1

Installation: No restrictions; See page 9.020.1

Cavity: VC12-3; See page 9.112.1

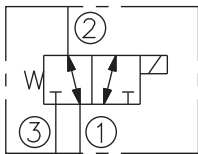
Cavity Tool: CT12-3XX; See page 8.600.1

Seal Kit: SK12-3X-MM; See page 8.650.1

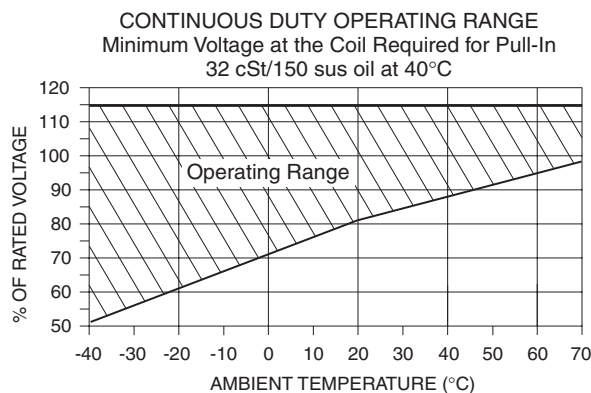
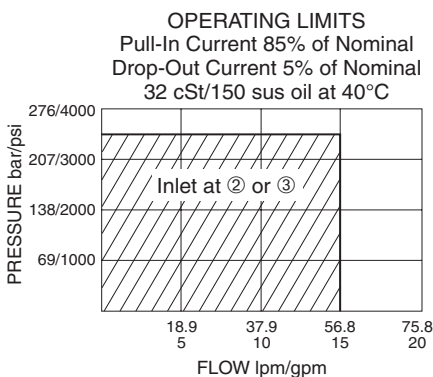
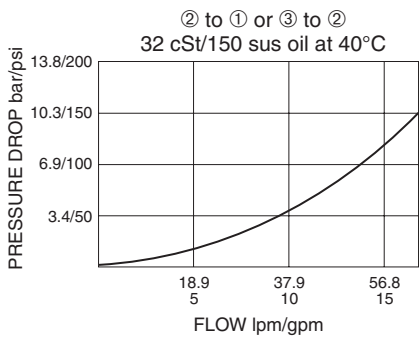
E-Coil Nut: Part No. 7085180

SYMBOLS

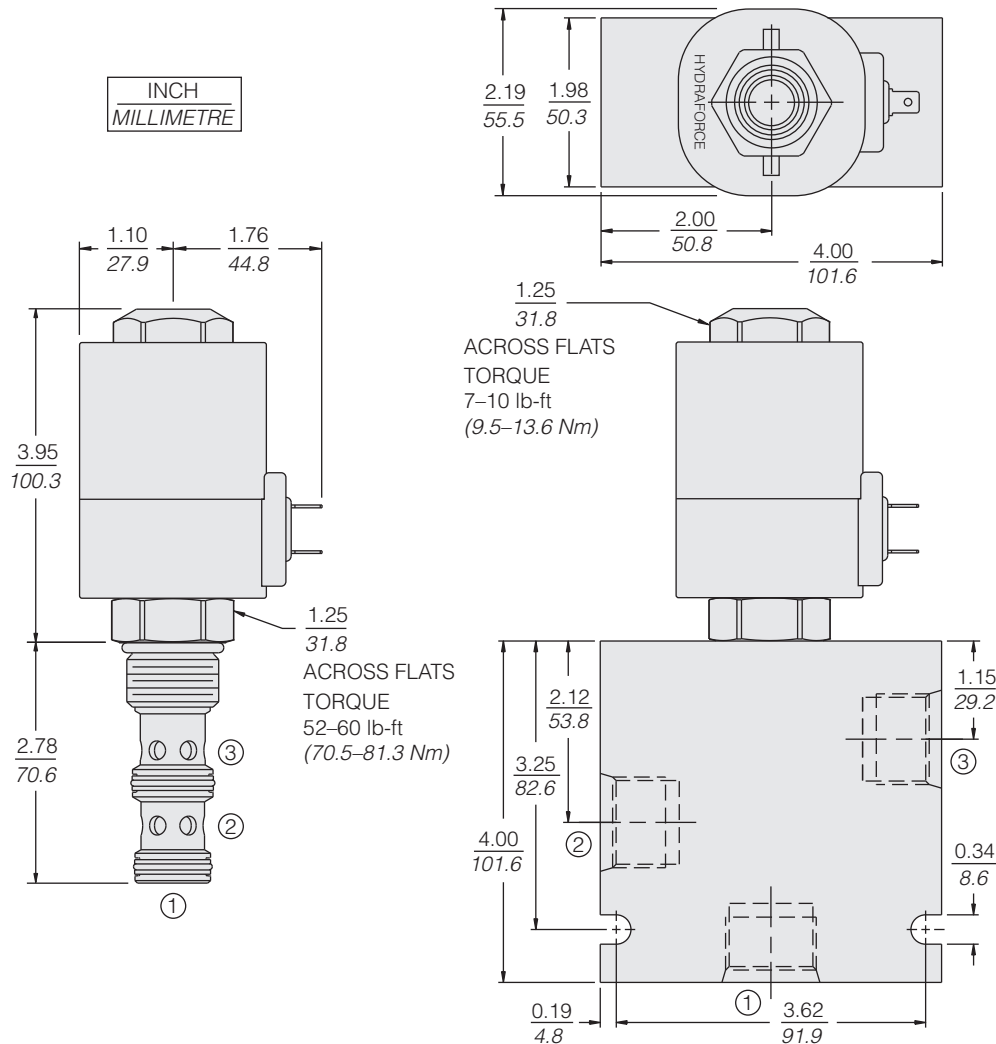
USAS/ISO:



PERFORMANCE (Cartridge Only)



DIMENSIONS



MATERIALS

Cartridge: Weight: 0.29 kg (0.65 lb)
Steel with hardened work surfaces.
Zinc-plated exposed surfaces.
Buna N O-rings and TFE back-ups
standard.

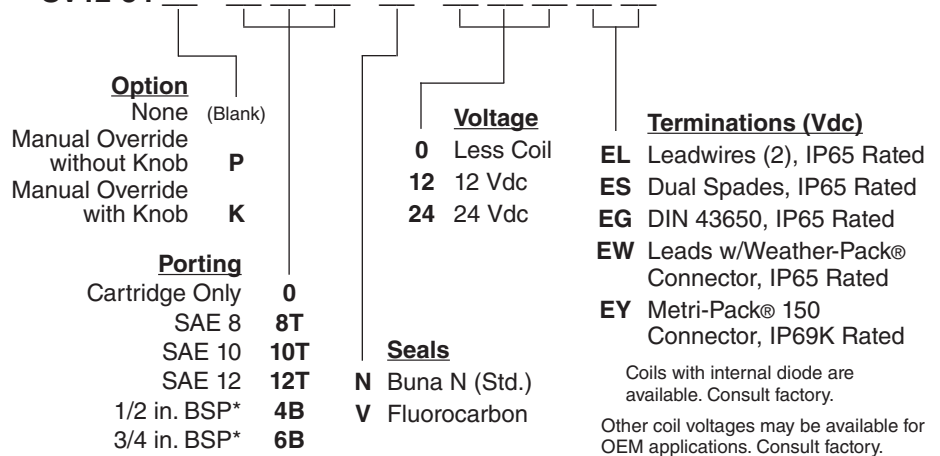
Standard Ported Body: Weight:
0.98 kg (2.15 lb) Anodized high-
strength 6061 T6 aluminum alloy,
rated to 207 bar (3000 psi). Ductile
iron bodies available; dimensions
may differ. See page 8.012.1.

E-Coil: Weight: 1.36 kg (3.0 lb) Fully
encapsulated with rugged external
metal shell.

**Rated up to IP69K with integral
connectors. See page 3.400.1.**

TO ORDER

SV12-34



*BSP Body; U.K. Mfrs. Only