

HYDRA LOCK-JAW™

Use With 2 & 3 Jaw

Pullers

6, 8, 11 & 30 Ton

PH303C



PH63C



- You get the world's most copied puller design; the harder the pulling force, the tighter the jaws grip for secure holding force.
- Power Team pullers are tested for top performance and reliability at maximum capacity and jaw spread.
- Removing a wide variety of gears, bearings, bushings, pulleys and other press-fitted parts becomes a routine task.
- Easily metered release valve control knob.
- Spring loaded live centering cone.
- Bladder type oil reservoir.
- Rapid adjustment.
- Use with 2 or 3 jaws.
- Supplied with a sturdy storage/ carrying case.
- Features Power Team's exclusive Powerthon™ Limited Lifetime Warranty

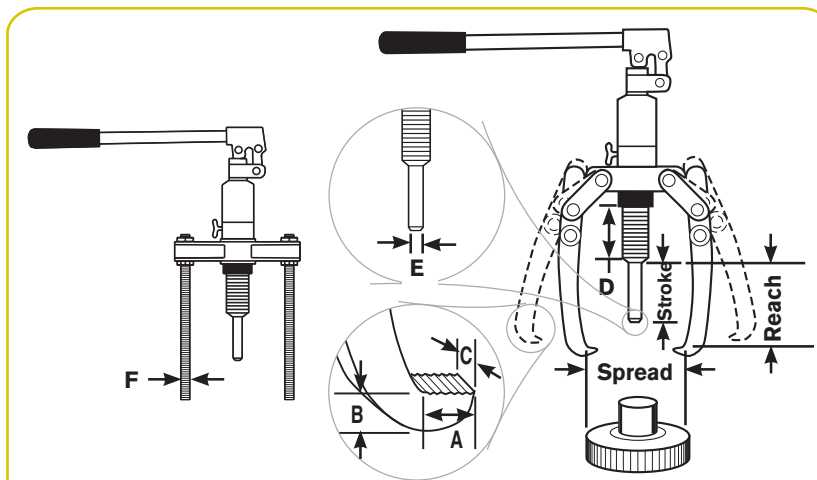
Lock-Jaw™ pulling system - These pullers are ideal for pulling a wide variety of press-fitted parts including bushings, bearings, wheels, gears and pulleys. Lock-Jaw™ pullers have been rigorously tested for top performance and reliability. PH82K is a complete pulling system which includes a hydraulic power module, 2-way puller head, jaws, legs and bearing splitter attachment; all contained in a convenient carrying case.



HST11S



PH82K



Order No.	Cyl. Cap. (tons)	Reach Studs (in.)	Min. Jaws (in.)	Max. Reach (in.)	Spread Studs (in.)	Jaws (in.)	Stroke (in.)	A (in.)	B (in.)	C (in.)	D (in.)	E (in.)	F (in.)	Wt. (lbs.)
PH63C	6	--	6	--	--	7 ⁷ / ₈	3 ³ / ₈	7 ⁷ / ₁₆	1 ¹ / ₄	7 ⁷ / ₈	3 ³ / ₄	7 ⁷ / ₈	--	10.8
PH83C	8	--	7 ¹ / ₂	--	--	9 ¹³ / ₁₆	3 ³ / ₈	7 ⁷ / ₁₆	3 ³ / ₈	1	3 ³ / ₄	1 ¹ / ₈	--	14.5
PH113C	15	--	9	--	--	11	3 ³ / ₈	9 ⁹ / ₁₆	3 ³ / ₈	1 ¹ / ₈	3 ³ / ₄	1 ¹ / ₈	--	17.6
PH303C	30	10 ¹ / ₂	14 ³ / ₄	--	--	21 ¹ / ₄	4 ¹ / ₄	1 ¹ / ₁₆	1 ⁷ / ₁₆	1 ¹ / ₂	6 ¹¹ / ₁₆	2 ¹ / ₈	5 ⁵ / ₈ -18 UNF	112
PH82K	8	10 ¹ / ₂	8 ⁵ / ₃₂	4 ²⁹ / ₃₂	11 ⁵¹ / ₆₄	9 ²¹ / ₃₂	3 ³ / ₈	2 ³ / ₆₄	1	5 ⁵ / ₈	3 ³ / ₄	7 ⁷ / ₈	5 ⁵ / ₈ -18 UNF	35
HST11S*	11	--	5 ²⁹ / ₃₂	--	--	16 ¹ / ₈	3 ³ / ₈	--	--	--	3 ³ / ₄	7 ⁷ / ₈	--	32

* (Max bar size 2.3622" or 60 mm)

