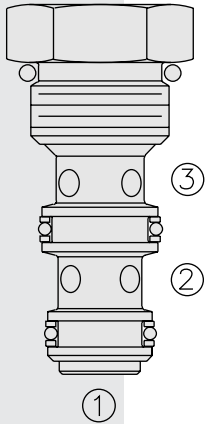


## LS08-30 Load Shuttle, Ball-Type



### DESCRIPTION

A load-shuttling, screw-in, cartridge-style hydraulic check valve, for use in blocking circuits where a priority of flow/direction is given to a higher pressure circuit over a lower one.

### OPERATION

The **LS08-30** will allow flow from the higher pressure of ① or ③ port to the ② port. The valve is commonly used to direct oil from the pressure side of a bidirectional hydraulic motor to a pressure-released hydraulic brake.

### FEATURES

- Rapid response to load direction changes.
- Compact size.

### RATINGS

**Operating Pressure:** 240 bar (3500 psi)

**Proof Pressure:** 390 bar (5700 psi)

**Flow:** See Performance Chart

**Internal Leakage:** 0.25 cc/minute (5 drops/minute) max. at 207 bar(3000 psi)

**Temperature:** -40 to 120°C with standard Buna seals

**Filtration:** See page 9.010.1

**Fluids:** Mineral-based or synthetics with lubricating properties at viscosities of 7.4 to 420 cSt (50 to 2000 sus); See Temperature and Oil Viscosity, page 9.060.1

**Installation:** No restrictions; See page 9.020.1

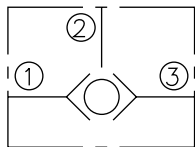
**Cavity:** VC08-3; See page 9.108.1

**Cavity Tool:** CT08-3XX; See page 8.600.1

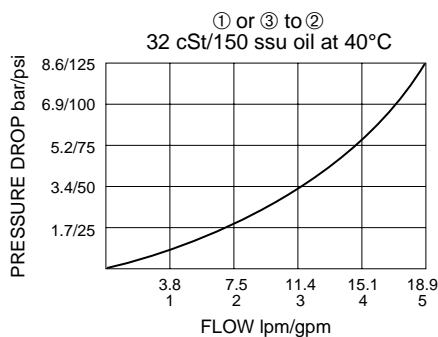
**Seal Kit:** SK08-3X-MM; See page 8.650.1

### SYMBOLS

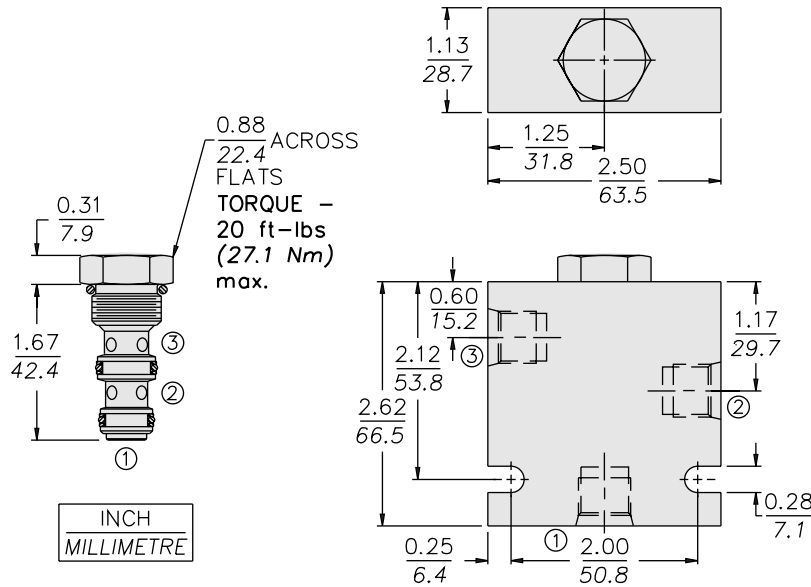
#### USASI/ISO:



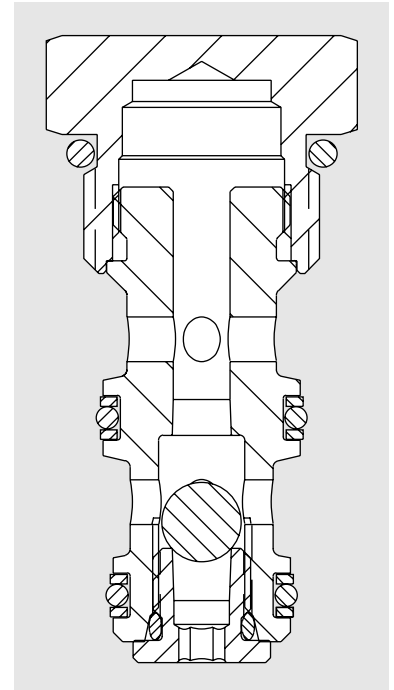
### PERFORMANCE (Cartridge Only)



**DIMENSIONS**



ORIFICE DISC MAY NOT BE USED WITH THIS PRODUCT.



**MATERIALS**

**Cartridge:** Weight: 0.08 kg. (0.17 lbs.)  
Steel with Zinc-plated exposed surfaces; Buna N O-rings and back-ups standard.

**Standard Ported Body:** Weight: 0.27 kg. (0.60 lbs.) Anodized high-strength 6061 T6 aluminum alloy, rated to 207 bar (3000 psi). Ductile iron bodies available; dimensions may differ. See page 8.008.1

**TO ORDER**

|                             |           |              |               |
|-----------------------------|-----------|--------------|---------------|
| <b>LS08-30-</b>             |           | <b>-</b>     |               |
|                             |           |              |               |
| <b>Porting</b>              |           | <b>Seals</b> |               |
| Cartridge Only              | <b>0</b>  | <b>N</b>     | Buna N (Std.) |
| SAE 4                       | <b>4T</b> | <b>V</b>     | Fluorocarbon  |
| SAE 6                       | <b>6T</b> |              |               |
| 1/4 in. BSP*                | <b>2B</b> |              |               |
| 3/8 in. BSP*                | <b>3B</b> |              |               |
| *BSP Body<br>U.K. Mfr. Only |           |              |               |