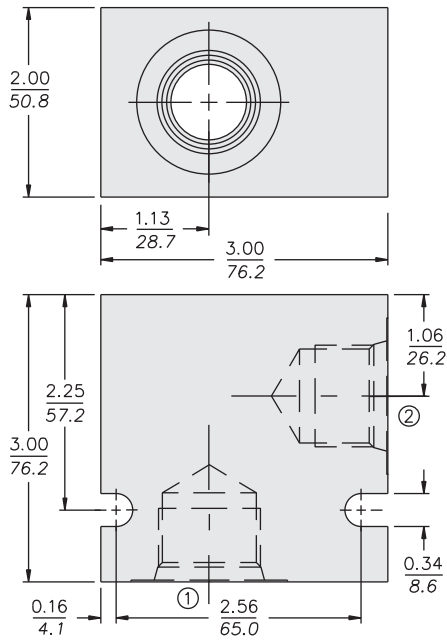


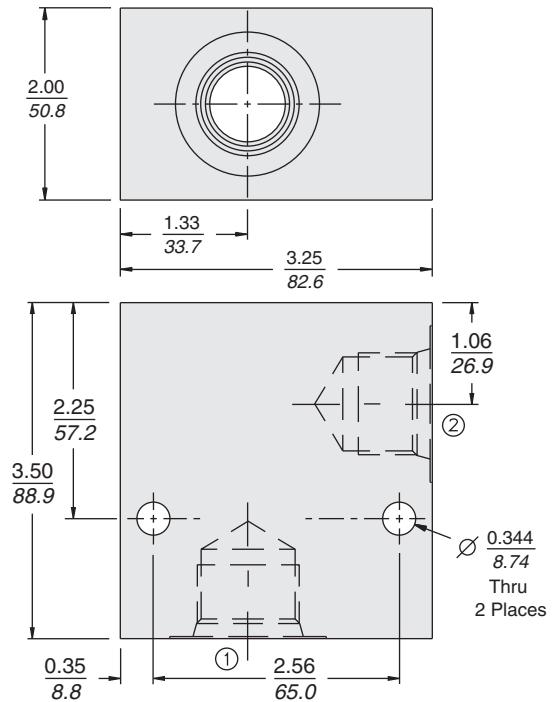
Series 12 Valve Housings

**2-WAY
Aluminum**



SAE 12 Ported Housing shown

**2-WAY
Ductile Iron**



SAE 12 Ported Housing shown

INCH
MILLIMETRE

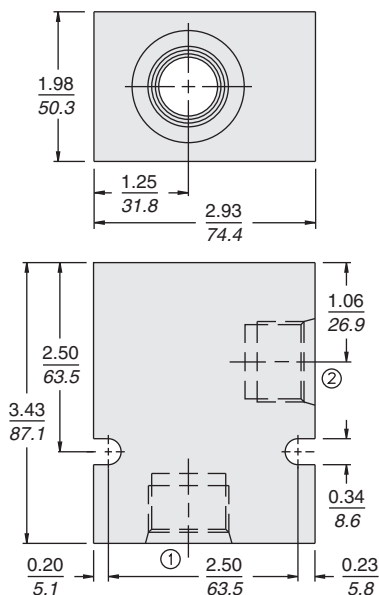
Blue Rectangles are links to CAD .stp files.

SERIES 12 2-WAY HOUSINGS					
Code	Part No.	Material	Port 1	Port 2	Mfg. Loc.
10T	7022240	Alum.	SAE 10	SAE 10	U.S.
12T	7022250	Alum.	SAE 12	SAE 12	U.S.
16T	7022260	Alum.	SAE 16	SAE 16	U.S.
6B	7022520	Alum.	3/4" BSP	3/4" BSP	U.K.
8B	7022530	Alum.	1" BSP	1" BSP	U.K.
12TD	7155010	Duct. Iron	SAE 12	SAE 12	U.S.
16TD	7155020	Duct. Iron	SAE 16	SAE 16	U.S.
6BD	7155050	Duct. Iron	3/4" BSP	3/4" BSP	U.K.
8BD	7155060	Duct. Iron	1" BSP	1" BSP	U.K.

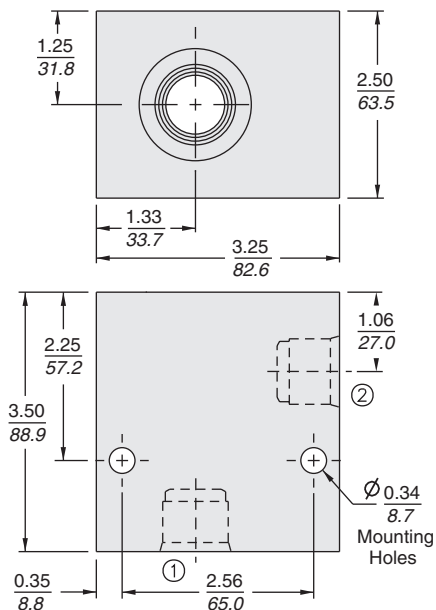
HYDRAFORCE STANDARD VALVE HOUSINGS			
MATERIAL	OPERATING PRESSURE	PORTS	MFG. LOCATION
Aluminum	210 bar (3000 psi)	SAE	U.S.
Aluminum	210 bar (3000 psi)	BSP	U.K.
Ductile Iron	350 bar (5000 psi)	SAE	U.S.
Ductile Iron	350 bar (5000 psi)	BSP	U.K.

Series 12 Valve Housings

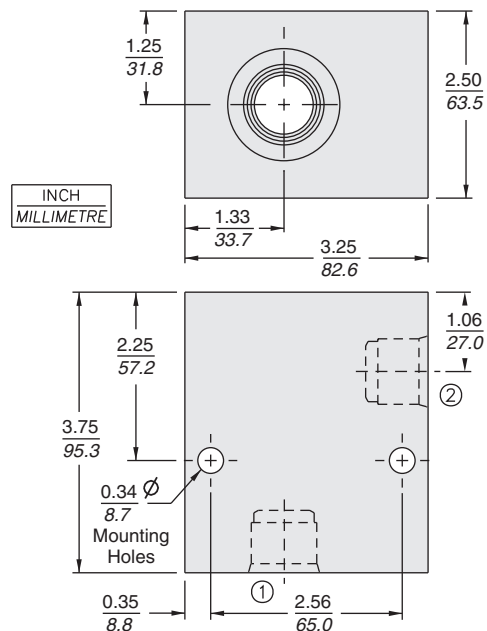
**2-WAY 12-L2
Aluminum**



**2-WAY
Ductile Iron, H-Series**



**2-WAY
Ductile Iron, H-Series, Variation A**



Blue Rectangles are links to CAD .stp files.

SERIES 12 2-WAY 12-L2 HOUSINGS*					
Code	Part No.	Material	Port 1	Port 2	Mfg. Loc.
08T	7020650	Alum.	SAE 08	SAE 08	U.S.
10T	7020660	Alum.	SAE 10	SAE 10	U.S.
12T	7020670	Alum.	SAE 12	SAE 12	U.S.

* Designed for use with PV72-20, PV72-21 and FR12-23 valves.

SERIES 12 2-WAY H-SERIES HOUSINGS					
Code	Part No.	Material	Port 1	Port 2	Mfg. Loc.
16HT	7158420	Duct. Iron	SAE16	SAE16	U.S.
8HB	7158460	Duct. Iron	1" BSP	1" BSP	U.K.

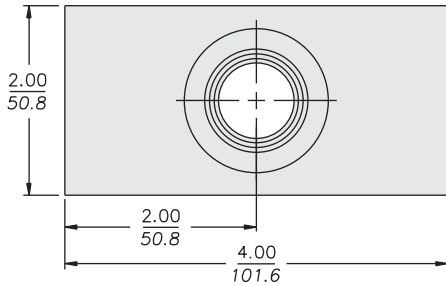
SERIES 12 2-WAY H-SERIES VARIATION A HOUSINGS*					
Code	Part No.	Material	Port 1	Port 2	Mfg. Loc.
10HT	7160010	Duct. Iron	SAE10	SAE10	U.S.
12HT	7160020	Duct. Iron	SAE 12	SAE12	U.S.
4HB	7160050	Duct. Iron	1/2" BSP	1/2" BSP	U.K.
6HB	7160060	Duct. Iron	3/4" BSP	3/4" BSP	U.K.

* Designed for use with HPV12-20 and HPV12-21 valves.

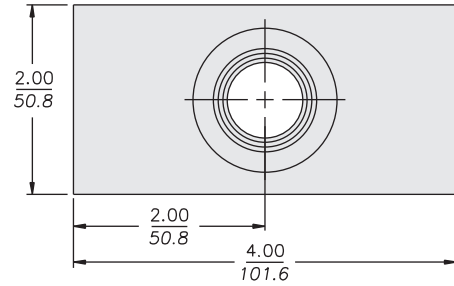
HYDRAFORCE STANDARD VALVE HOUSINGS			
MATERIAL	OPERATING PRESSURE	PORTS	MFG. LOCATION
Aluminum	210 bar (3000 psi)	SAE	U.S.
Aluminum	210 bar (3000 psi)	BSP	U.K.
Ductile Iron	350 bar (5000 psi)	SAE	U.S.
Ductile Iron	350 bar (5000 psi)	BSP	U.K.

Series 12 Valve Housings

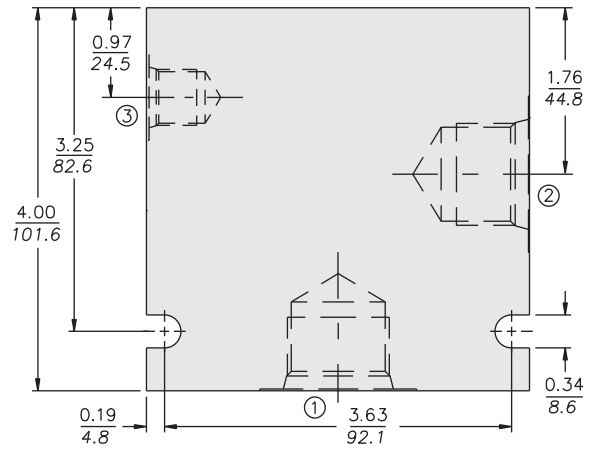
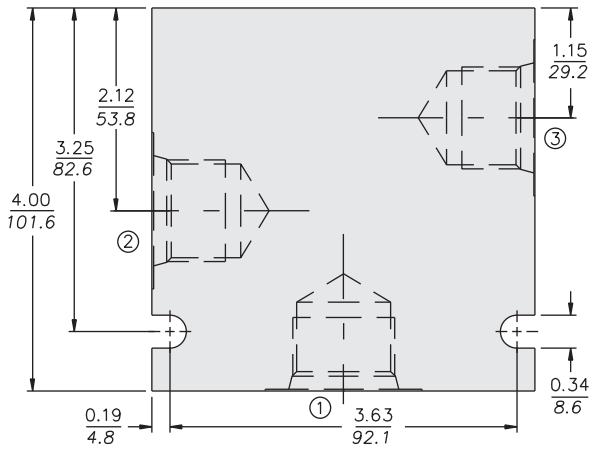
3-WAY
Aluminum or Ductile Iron



3-WAY Short
Aluminum or Ductile Iron



INCH
MILLIMETRE



SAE 12 Ported Housing shown

[Blue Rectangles are links to CAD .stp files.](#)

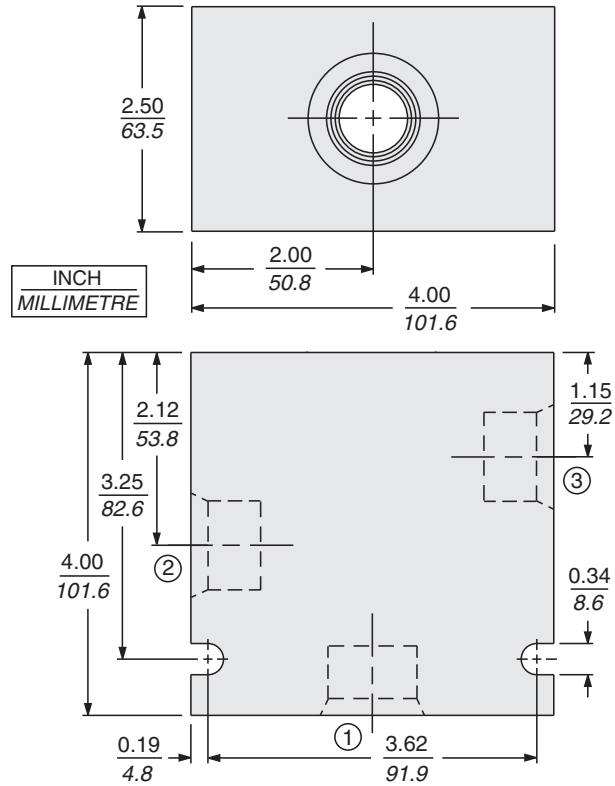
SERIES 12 3-WAY HOUSINGS						
Code	Part No.	Material	Port 1	Port 2	Port 3	Mfg. Loc.
8T	7022320	Alum.	SAE 8	SAE 8	SAE 8	U.S.
10T	7022330	Alum.	SAE 10	SAE 10	SAE 10	U.S.
12T	7022340	Alum.	SAE 12	SAE 12	SAE 12	U.S.
8TD	7155100	Duct. Iron	SAE 8	SAE 8	SAE 8	U.S.
12TD	7155120	Duct. Iron	SAE 12	SAE 12	SAE 12	U.S.
6B	7022620	Alum.	3/4" BSP	3/4" BSP	3/4" BSP	U.K.

SERIES 12 3-WAY SHORT HOUSINGS						
Code	Part No.	Material	Port 1	Port 2	Port 3	Mfg. Loc.
12T	7027400	Alum.	SAE 12	SAE 12	SAE 6	U.S.
12TD	7150620	Duct. Iron	SAE 12	SAE 12	SAE 6	U.S.
6BD	7150660	Duct. Iron	3/4" BSP	3/4" BSP	3/8" BSP	U.K.

HYDRAFORCE STANDARD VALVE HOUSINGS			
MATERIAL	OPERATING PRESSURE	PORTS	MFG. LOCATION
Aluminum	210 bar (3000 psi)	SAE	U.S.
Aluminum	210 bar (3000 psi)	BSP	U.K.
Ductile Iron	350 bar (5000 psi)	SAE	U.S.
Ductile Iron	350 bar (5000 psi)	BSP	U.K.

Series 12 Valve Housings

3-WAY Ductile Iron, H-Series

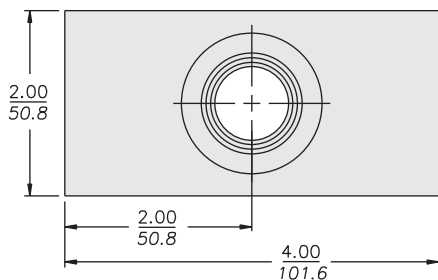


SERIES 12 3-WAY H-SERIES HOUSINGS						
Code	Part No.	Material	Port 1	Port 2	Port 3	Mfg. Loc.
8HT	7158500	Duct. Iron	SAE 8	SAE 8	SAE 8	U.S.
10HT	7158510	Duct. Iron	SAE 10	SAE 10	SAE 10	U.S.
12HT	7158520	Duct. Iron	SAE 12	SAE 12	SAE 12	U.S.
4HB	7158550	Duct. Iron	1/2" BSP	1/2" BSP	1/2" BSP	U.K.
6HB	7158560	Duct. Iron	3/4" BSP	3/4" BSP	3/4" BSP	U.K.

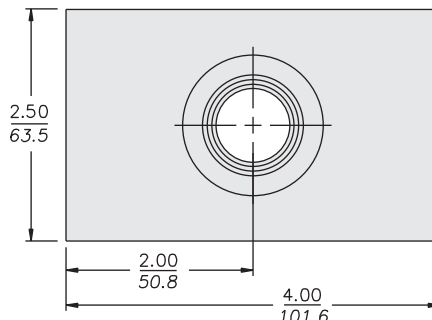
HYDRAFORCE STANDARD VALVE HOUSINGS			
MATERIAL	OPERATING PRESSURE	PORTS	MFG. LOCATION
Aluminum	210 bar (3000 psi)	SAE	U.S.
Aluminum	210 bar (3000 psi)	BSP	U.K.
Ductile Iron	350 bar (5000 psi)	SAE	U.S.
Ductile Iron	350 bar (5000 psi)	BSP	U.K.

Series 12 Valve Housings

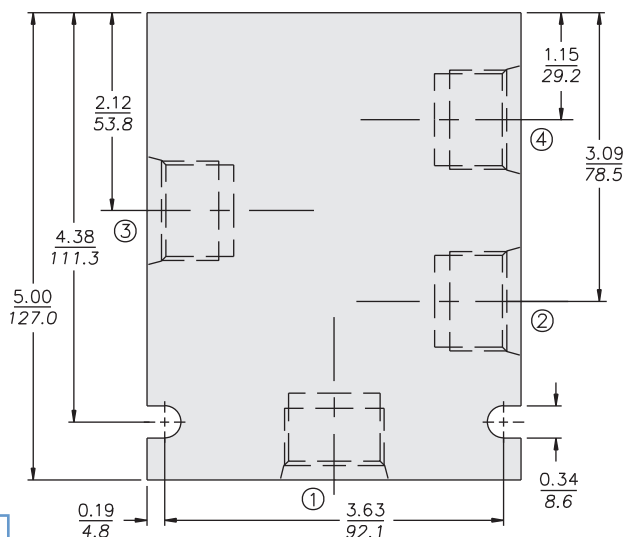
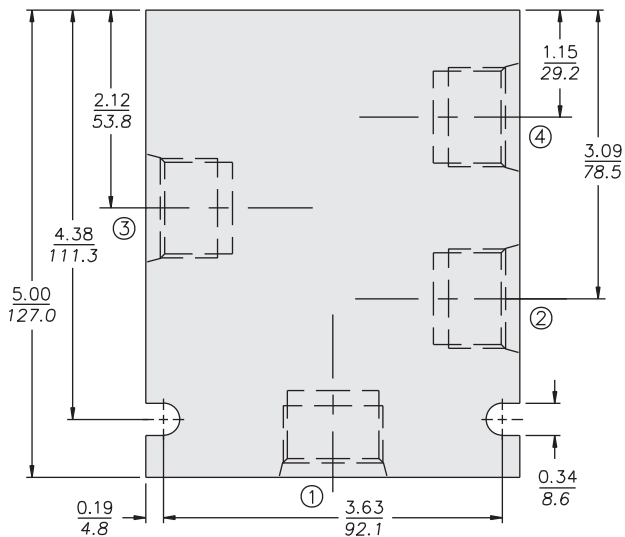
4-WAY
Aluminum or Ductile Iron



4-WAY
Ductile Iron, H-Series



INCH
MILLIMETRE



Blue Rectangles are links to CAD .stp files.

SERIES 12 4-WAY HOUSINGS							
Code	Part No.	Material	Port 1	Port 2	Port 3	Port 4	Mfg. Loc.
10T	7022480	Alum.	SAE 10	SAE 10	SAE 10	SAE 10	U.S.
12T	7022470	Alum.	SAE 12	SAE 12	SAE 12	SAE 12	U.S.
10T*	7022460	Alum.	SAE 6	SAE 10	SAE 10	SAE 10	U.S.
12T*	7022440	Alum.	SAE 6	SAE 12	SAE 12	SAE 12	U.S.
8TD	7150700	Duct. Iron	SAE 8	SAE 8	SAE 8	SAE 8	U.S.
12 TD	7150720	Duct. Iron	SAE 12	SAE 12	SAE 12	SAE 12	U.S.
6B	7022720	Alum.	3/4" BSP	3/4" BSP	3/4" BSP	3/4" BSP	U.K.
6BD	7150760	Duct. Iron	3/4" BSP	3/4" BSP	3/4" BSP	3/4" BSP	U.K.

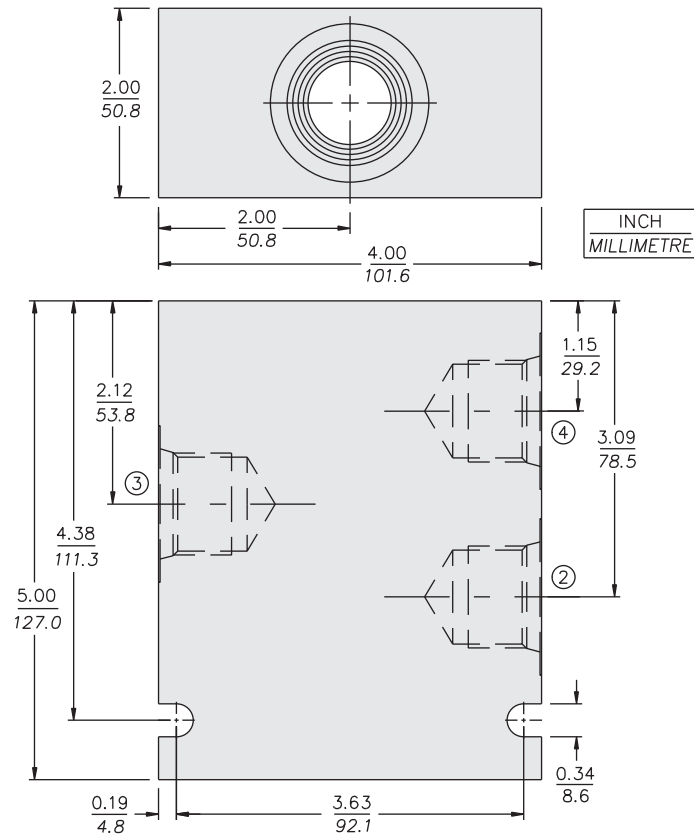
*PD-TYPE BODY

SERIES 12 4-WAY H-SERIES HOUSINGS							
Code	Part No.	Material	Port 1	Port 2	Port 3	Port 4	Mfg. Loc.
12HT	7158620	Duct. Iron	SAE 12	SAE 12	SAE 12	SAE 12	U.S.
6HB	7158660	Duct. Iron	3/4" BSP	3/4" BSP	3/4" BSP	3/4" BSP	U.K.

HYDRAFORCE STANDARD VALVE HOUSINGS			
MATERIAL	OPERATING PRESSURE	PORTS	MFG. LOCATION
Aluminum	210 bar (3000 psi)	SAE	U.S.
Aluminum	210 bar (3000 psi)	BSP	U.K.
Ductile Iron	350 bar (5000 psi)	SAE	U.S.
Ductile Iron	350 bar (5000 psi)	BSP	U.K.

Series 12 Valve Housings

4-WAY 3-PORT Special FD-Type, Aluminum or Ductile Iron



SAE 12 Ported Housing shown

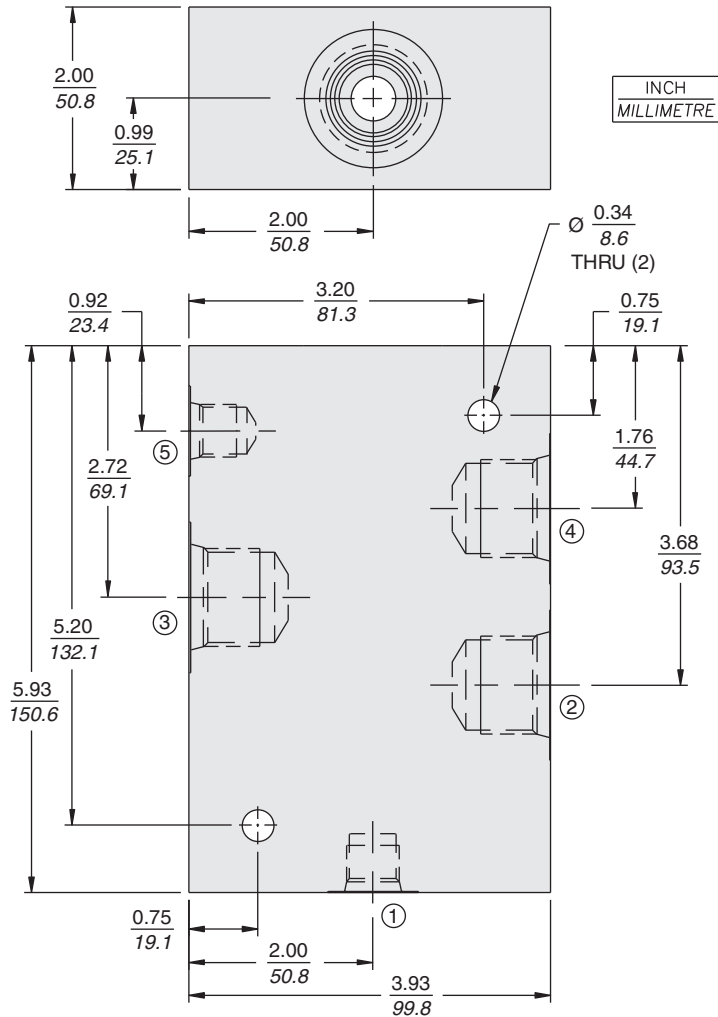
[Blue Rectangles are links to CAD .stp files.](#)

SERIES 12 4-WAY 3-PORT SPECIAL FD-TYPE HOUSINGS							
Code	Part No.	Material	Port 1	Port 2	Port 3	Port 4	Mfg. Loc.
10T	7022450	Alum.	—	SAE 10	SAE 10	SAE 10	U.S.
12T	7022430	Alum.	—	SAE 12	SAE 12	SAE 12	U.S.
12TD	7150820	Duct. Iron	—	SAE 12	SAE 12	SAE 12	U.S.
6BD	7150860	Duct. Iron	—	3/4" BSP	3/4" BSP	3/4" BSP	U.K.

HYDRAFORCE STANDARD VALVE HOUSINGS			
MATERIAL	OPERATING PRESSURE	PORTS	MFG. LOCATION
Aluminum	210 bar (3000 psi)	SAE	U.S.
Aluminum	210 bar (3000 psi)	BSP	U.K.
Ductile Iron	350 bar (5000 psi)	SAE	U.S.
Ductile Iron	350 bar (5000 psi)	BSP	U.K.

Series 12 Valve Housings

5-WAY PD-Type, Aluminum



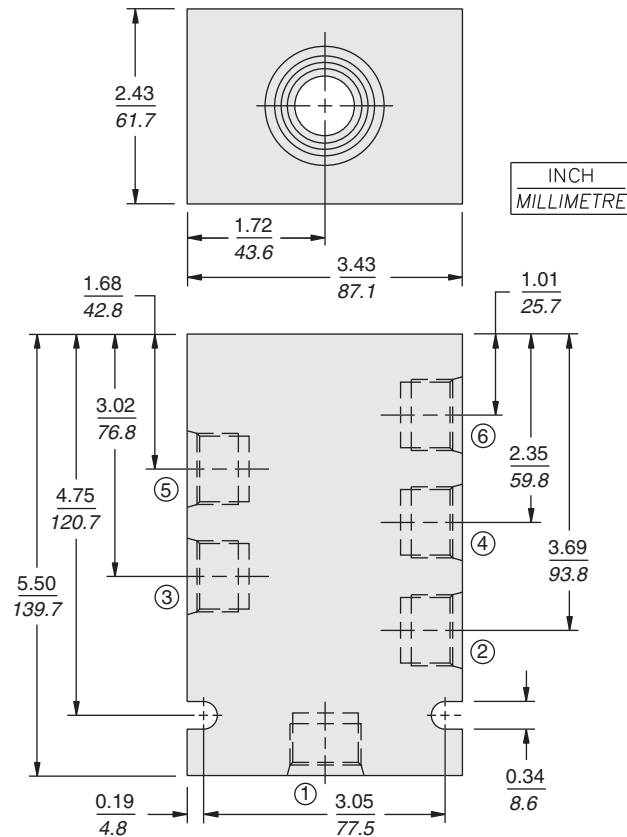
Blue Rectangles are links to CAD .stp files.

SERIES 12 5-WAY PD-TYPE HOUSINGS								
Code	Part No.	Material	Port 1	Port 2	Port 3	Port 4	Port 5	Mfg. Loc.
10T	7029900	Alum.	SAE 6	SAE 10	SAE 10	SAE 10	SAE 6	U.S.
12T	7029910	Alum.	SAE 6	SAE 12	SAE 12	SAE 12	SAE 6	U.S.

HYDRAFORCE STANDARD VALVE HOUSINGS			
MATERIAL	OPERATING PRESSURE	PORTS	MFG. LOCATION
Aluminum	210 bar (3000 psi)	SAE	U.S.
Aluminum	210 bar (3000 psi)	BSP	U.K.
Ductile Iron	350 bar (5000 psi)	SAE	U.S.
Ductile Iron	350 bar (5000 psi)	BSP	U.K.

Series 12 Valve Housings

6-WAY Aluminum



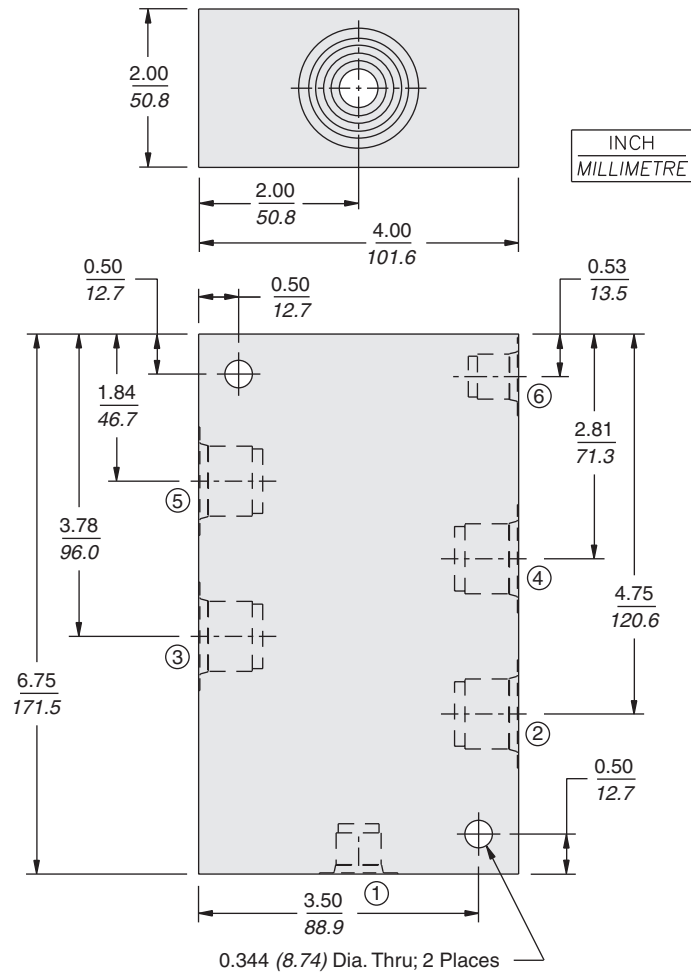
Blue Rectangles are links to CAD .stp files.

SERIES 12 6-WAY HOUSINGS									
Code	Part No.	Material	Port 1	Port 2	Port 3	Port 4	Port 5	Port 6	Mfg. Loc.
8T	7021470	Alum.	SAE 8	SAE 8	SAE 8	SAE 8	SAE 8	SAE 8	U.S.
10T	7021480	Alum.	SAE 10	SAE10	SAE 10	SAE 10	SAE 10	SAE10	U.S.

HYDRAFORCE STANDARD VALVE HOUSINGS			
MATERIAL	OPERATING PRESSURE	PORTS	MFG. LOCATION
Aluminum	210 bar (3000 psi)	SAE	U.S.
Aluminum	210 bar (3000 psi)	BSP	U.K.
Ductile Iron	350 bar (5000 psi)	SAE	U.S.
Ductile Iron	350 bar (5000 psi)	BSP	U.K.

Series 12 Valve Housings

6-WAY, 12-S6 Test Housing PD/PE-Type, Ductile Iron



SERIES 12 6-WAY 12-S6 PD/PE-TYPE TEST HOUSING									
Code	Part No.	Material	Port 1	Port 2	Port 3	Port 4	Port 5	Port 6	Mfg. Loc.
10TD	7150250	Duct. Iron	SAE 6	SAE 10	SAE 10	SAE 10	SAE 10	SAE 6	U.S.

HYDRAFORCE STANDARD VALVE HOUSINGS			
MATERIAL	OPERATING PRESSURE	PORTS	MFG. LOCATION
Aluminum	210 bar (3000 psi)	SAE	U.S.
Aluminum	210 bar (3000 psi)	BSP	U.K.
Ductile Iron	350 bar (5000 psi)	SAE	U.S.
Ductile Iron	350 bar (5000 psi)	BSP	U.K.