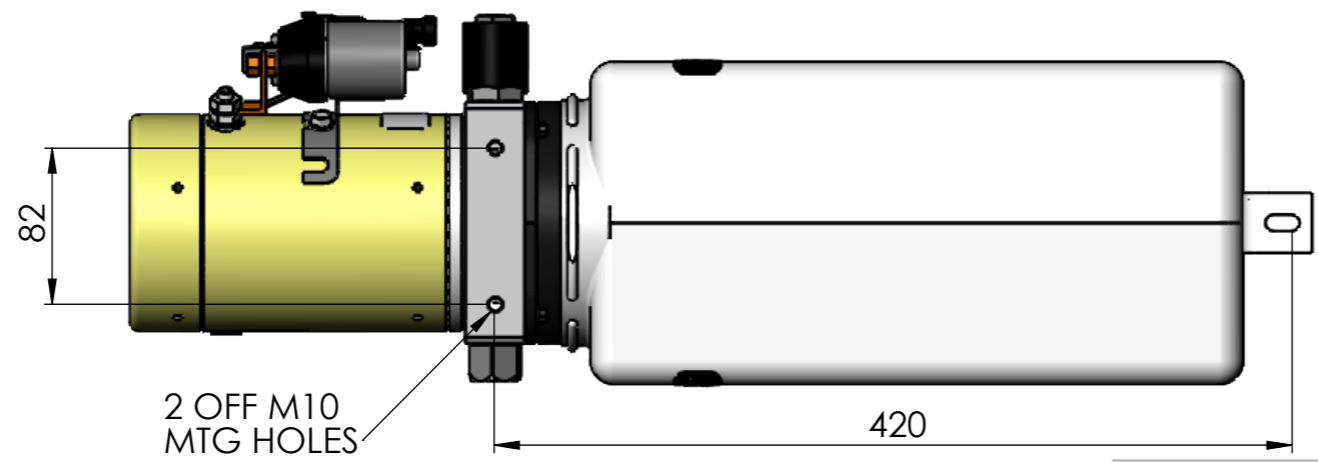
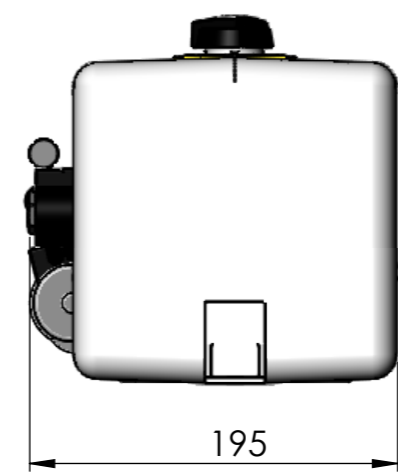
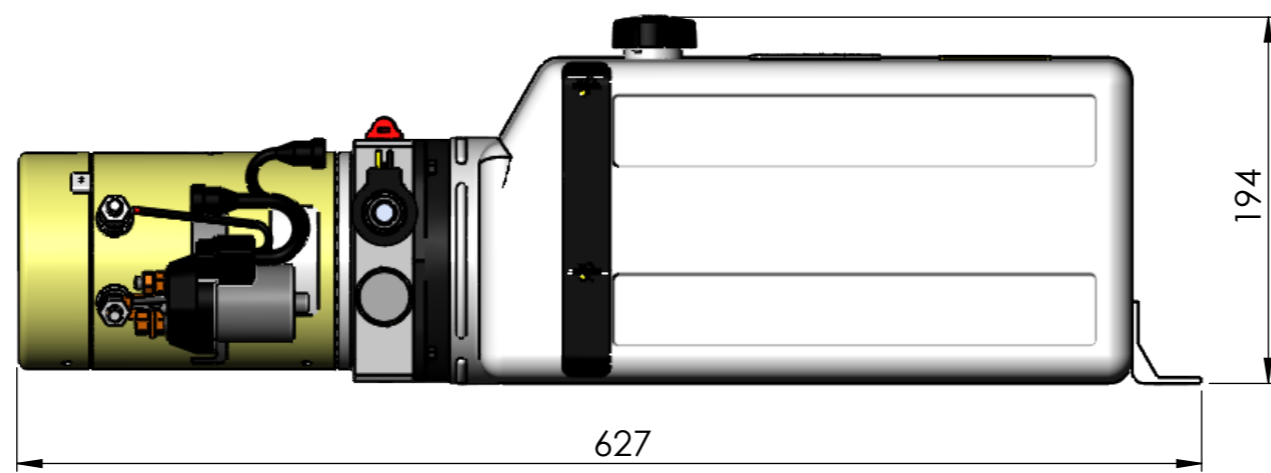
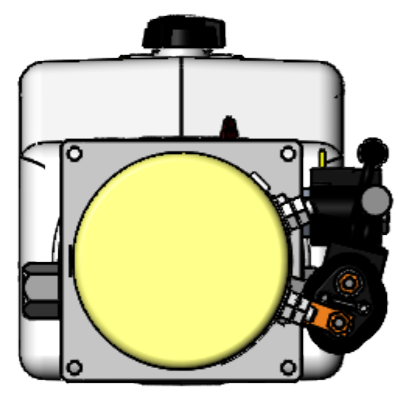
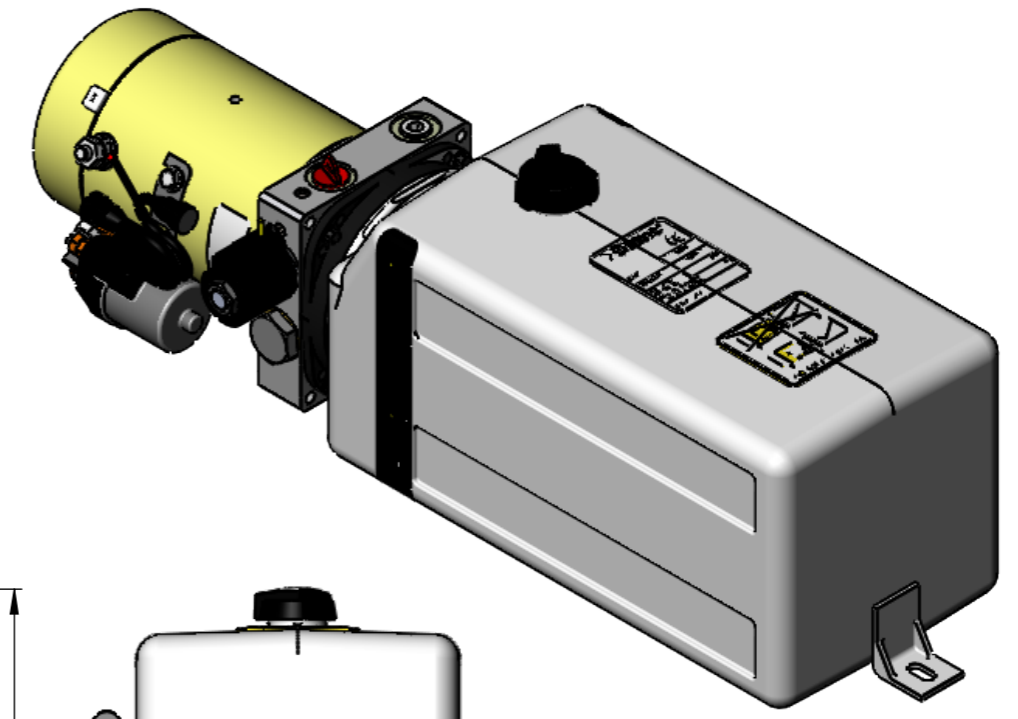


"P" PORT



2 OFF M10  
MTG HOLES

UNLESS OTHERWISE SPECIFIED: DIMENSIONS ARE IN MILLIMETERS SURFACE FINISH: TOLERANCES: LINEAR: ANGULAR:				FINISH:  STD	DEBUR AND BREAK SHARP EDGES	DO NOT SCALE DRAWING	REVISION A
						<b>MHS</b> MODULAR HYDRAULIC SYSTEMS LIMITED	REDAN HILL ESTATE ALDERSHOT HAMPSHIRE GU12 4SJ
						01252 333883 sales@mhs.co.uk mark@mhs.co.uk WWW.MHS.CO.UK	
DRAWN	NAME	SIGNATURE	DATE	TITLE:  TIPPER POWER PACK STANDARD 12VDC			
CH'K'D	MRB		8/5/17				
APP'V'D							
MFG							
Q.A				MATERIAL:			
				WEIGHT:			
						DWG NO.	FN8005
						SCALE:1:10	A3
						SHEET 1 OF 1	