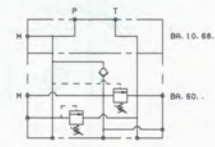
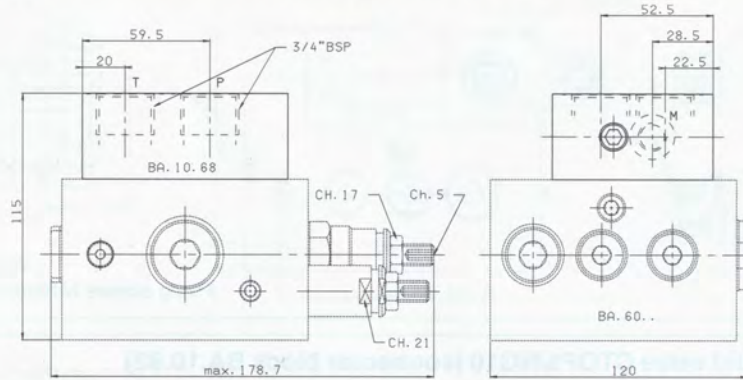


# Low / High pressure units type BA.60...

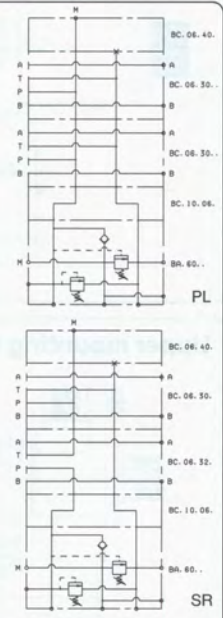
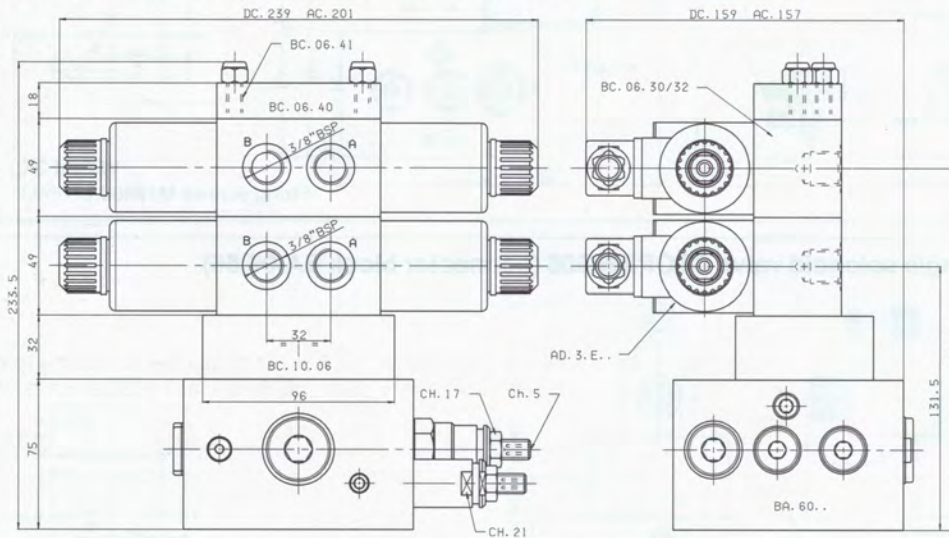


## Mounting with threaded connectors (connector block BA.10.68)



Weight 1,6 Kg  
Fixing screws M10x45 UNI 5931

## Example of multiple mounting with modular component connector blocks connected in series or parallel CETOP 3/NG06



## Example of multiple mounting with modular component connector blocks connected in series or parallel CETOP 5/NG10

