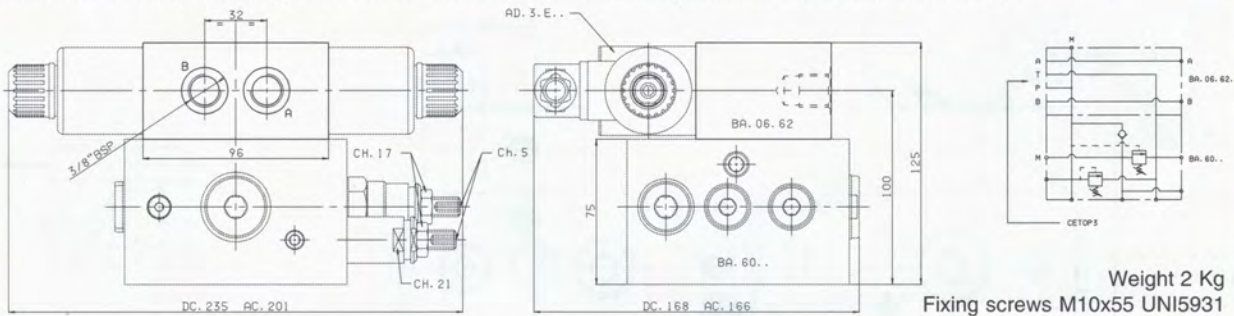


# Low / High pressure units type BA.60...

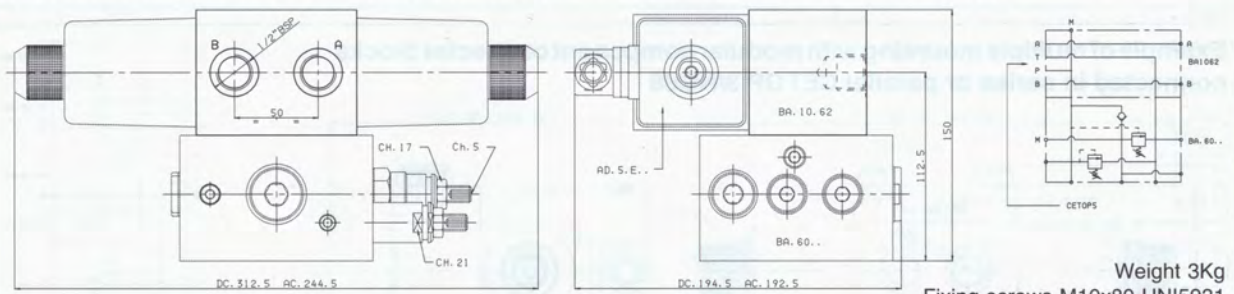


## Side mounting for single solenoid valve CTOP3/NG06 (connector block BA.06.62)



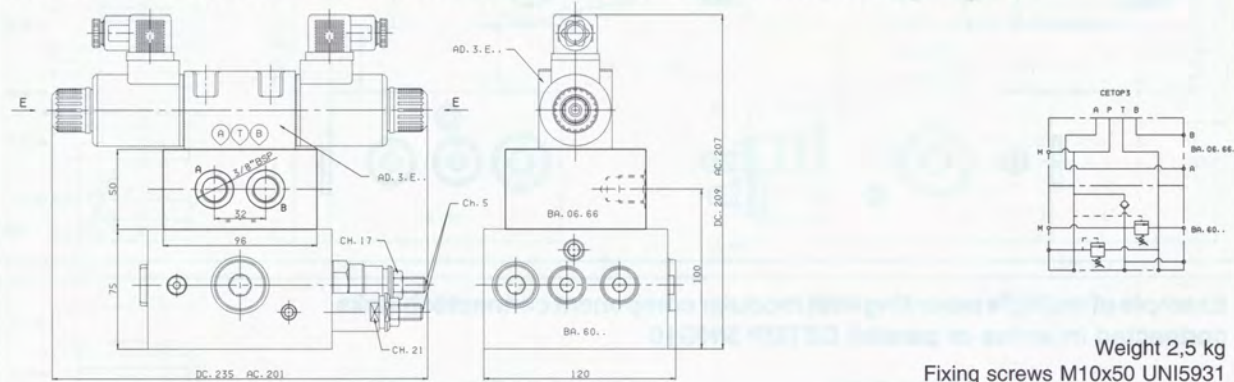
Weight 2 Kg  
Fixing screws M10x55 UNI5931

## Side mounting for single solenoid valve CTOP5/NG10 (connector block BA.10.62)



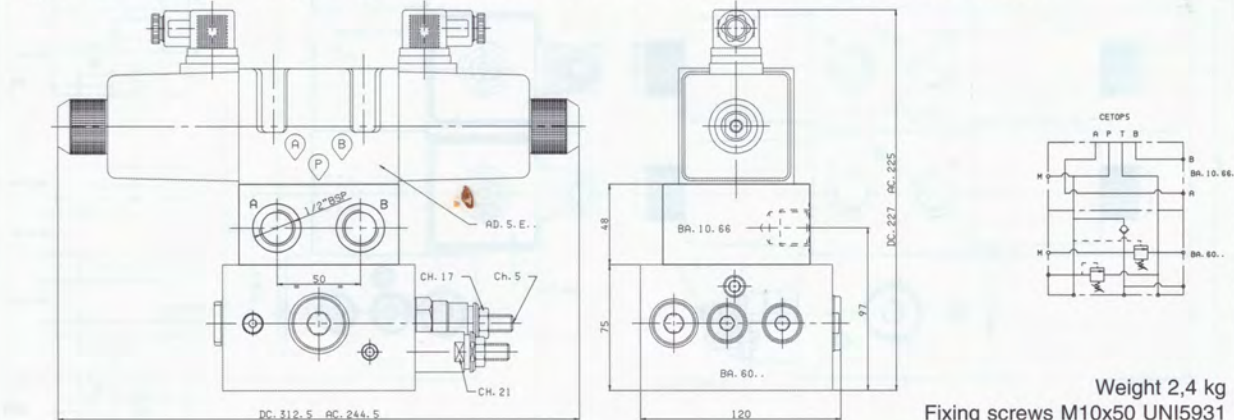
Weight 3Kg  
Fixing screws M10x80 UNI5931

## Upper mounting for single solenoid valve CTOP3/NG06 (connector block BA.06.66)



Weight 2,5 kg  
Fixing screws M10x50 UNI5931

## Upper mounting for single solenoid valve CTOP5/NG10 (connector block BA.10.66)



Weight 2,4 kg  
Fixing screws M10x50 UNI5931