



## ADL10.6... FLOW DIVERSION VALVES



The 6 way flow diversion valves are special solenoid valves which allow the simultaneous connection of two systems.

In order to obtain valve's working at pressure of 250 bar up to 320 bar (external drainage) the G 1/8" BSP plug must be removed to Y connector.

Max. pressure (without drainage, Y plugged)	250 bar
Max. pressure (external drainage)	320 bar
Max. flow	80 l/min
Fluid viscosity	10 ÷ 500 mm <sup>2</sup> /s
Fluid temperature	-25°C ÷ 75°C
Ambient temperature	-25°C ÷ 60°C
Max. contamination level	class 10 in accordance with NAS 1638 with filter β <sub>25</sub> ≥ 75
Weight	3,6 Kg

<b>ADL10.6...</b>	
"A16" DC COILS	CH. I PAGE 68
STANDARD CONNECTORS	CH. I PAGE 19

### ORDERING CODE

<b>ADL10</b>	Flow diversion valves NG10
<b>6</b>	No. of way
<b>J</b>	Connectors 3/4" BSP
<b>I</b>	Without drainage Y connector plugged
<b>*</b>	Voltage (see table 1)
<b>**</b>	Variants (see table 2)
<b>1</b>	Serial No.

**TAB.1 - A16 COIL**

DC VOLTAGE	
L	12V
M	24V
N	48V*
P	110V*
Z	102V*
X	205V*
W	Without DC coil

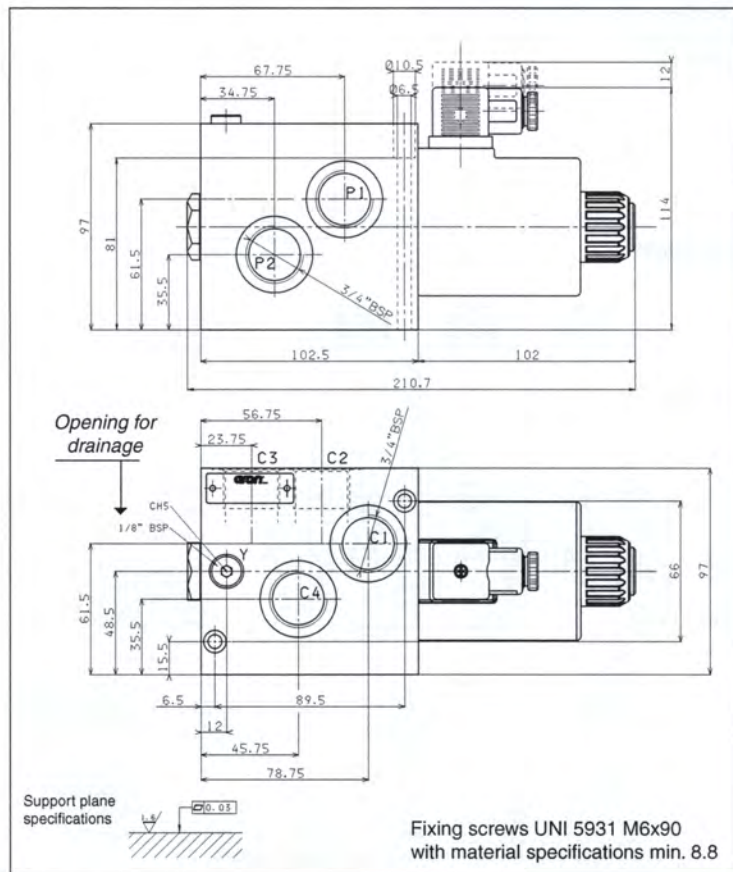
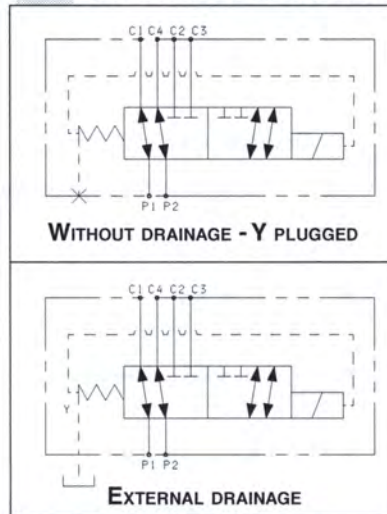
115Vac/50Hz  
120Vac/60Hz with rectifier

230Vac/50Hz  
240Vac/60Hz with rectifier

Voltage codes are not stamped on the plate, they are readable on the coils.

\* Special voltage

**DRAINS AND HYDRAULIC SYMBOLS**



**TAB.2 - VARIANTS**

VARIANT	CODE
No variant (without connectors)	S1(*)
Viton	SV(*)
Emergency button	ES(*)
Rotary emergency button	P2(*)

Other variants available on request.

(\*) Bobine con connessione Hirschmann fornite senza connettori. I connettori possono essere ordinati separatamente, cap. I pag. 19.

**PRESSURE DROPS**

