

ADL06.6... FLOW DIVERSION VALVES



The 6 way flow diversion valves are special solenoid valves which allow the simultaneous connection of two systems.

In order to obtain valve's working at pressure of 250 bar up to 320 bar (external drainage) the G 1/8" BSP plug must be removed to Y connector.

Max. pressure (without drainage, Y plugged)	250 bar
Max. pressure (external drainage)	320 bar
Max. flow	40 l/min
Overlap	negative
Fluid viscosity	10 ÷ 500 mm ² /s
Fluid temperature	-25°C ÷ 75°C
Ambient temperature	-25°C ÷ 60°C
Max. contamination level	class 10 in accordance with NAS 1638 with filter β ₂₅ ≥ 75
Weight	2,4 Kg

ADL06.6...

"D15" DC COILS CH. I PAGE 67

STANDARD CONNECTORS CH. I PAGE 19

ORDERING CODE

ADL06	Flow diversion valves NG6
6	No. of way
W	Threaded connectors 3/8" BSP
I	Without drainage Y connector plugged
*	Voltage (see table 1)
**	Variants (see table 2)
3	Serial No.

TAB.2 - VOLTAGE

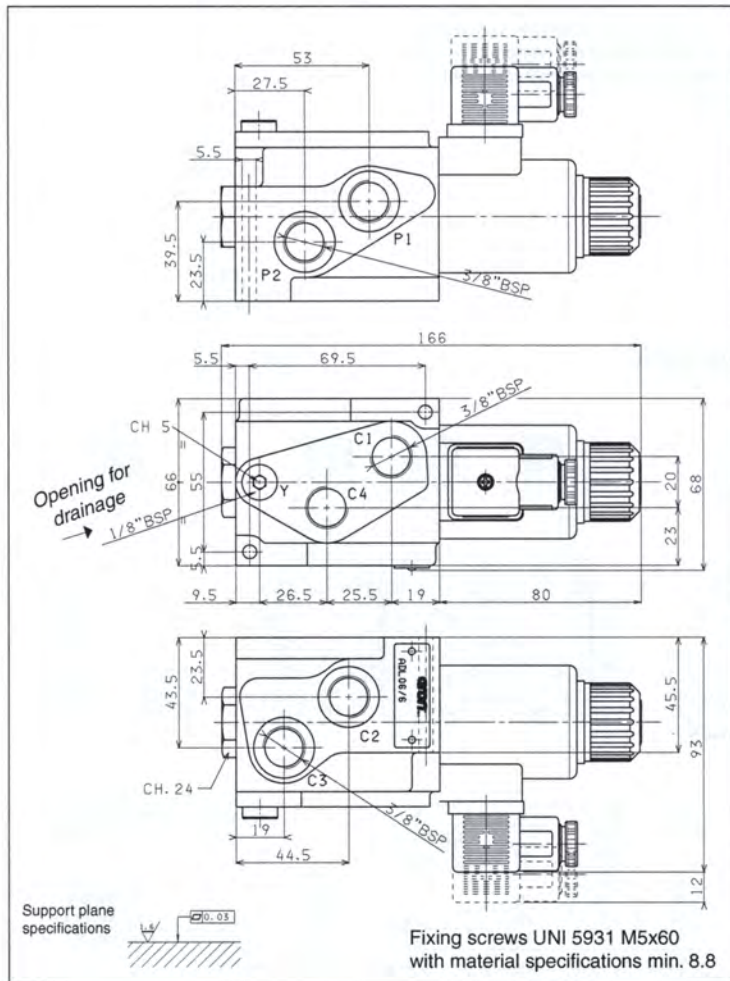
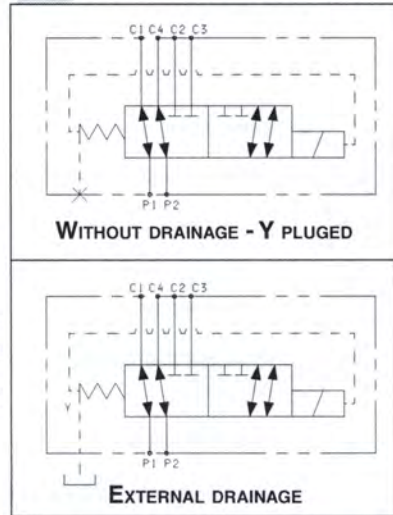
D15 COIL (30W)

L	12V	115Vac/50Hz 120Vac/60Hz with rectifier
M	24V	
V	28V*	230Vac/50Hz 240Vac/60Hz with rectifier
N	48V*	
Z	102V*	
P	110V*	
X	205V*	
W	Without DC coils and connectors	

Voltage codes are not stamped on the plate, their are readable on the coils.
* Special voltage

- AMP Junior (with or without diode) and Deutsch and with flying leads coils, are available in 12V or 24V DC voltage only.
- Plastic type coils are available in 12V, 24V, 28V or 110V DC voltage only.

DRAINS AND HYDRAULIC SYMBOLS



Fixing screws UNI 5931 M5x60 with material specifications min. 8.8

TAB.2 - VARIANTS

No variant (without connectors)	S1(*)
Viton	SV(*)
Emergency button	ES(*)
Rotary emergency button	P2(*)
AMP Junior coil	AJ
AMP Junior coil and integrated diode	AD
Coil with flying leads (175mm)	SL
Deutsch DT04-2P Coil type	CZ
Plastic type coil D15	RS(*)

Other variants available on request.

(*) Coils with Hirschmann connection supplied without connectors. The connectors can be ordered separately, ch. I page 19.

PRESSURE DROPS

Curve n° 1:

- P1 → C1
- P1 → C2
- P2 → C3
- P2 → C4

