

HYDRA-GRIP-O-MATIC® PULLER KITS

Max. Capacity: 8 Ton

NOTE:

- These instructions must be read and carefully followed.
- Carefully inspect the puller kit upon arrival. The carrier, not the manufacturer, is responsible for any damage resulting from shipment.

SAFETY PRECAUTIONS



WARNING: To help prevent personal injury,

- These puller kits should be used only by trained personnel familiar with them.
- Safety glasses must be worn at all times by the operator and anyone within sight of the puller.
- Select the proper size and capacity of puller for the job.
- Align the puller on the same centerline as the part being removed. Always have the jaws/studs adjusted the same distance from the center of the tool (see Figure 1). Failure to align parts correctly can result in a dangerous operating situation because of the high hydraulic pressures used.
- Wrap the work in a Power Team protective blanket before applying pressure to provide protection from injury caused by flying parts should a part ever break.
- Always apply force gradually.

PULLER SETUP AND OPERATION

NOTE: The K83 puller kit has a 2/3-way combination puller crosshead. The 3-jaw combination is strongly recommended whenever the job space allows for it. Three jaws give a more secure grip and more even pulling force. The K82 and PH82K are equipped with a 2-way crosshead only!

1. Select the proper size and capacity of puller needed for the job. This is determined by measuring "reach" and "spread" of the part to be pulled.
2. Place the handle assembly into the handle clevis. See Figure 1.

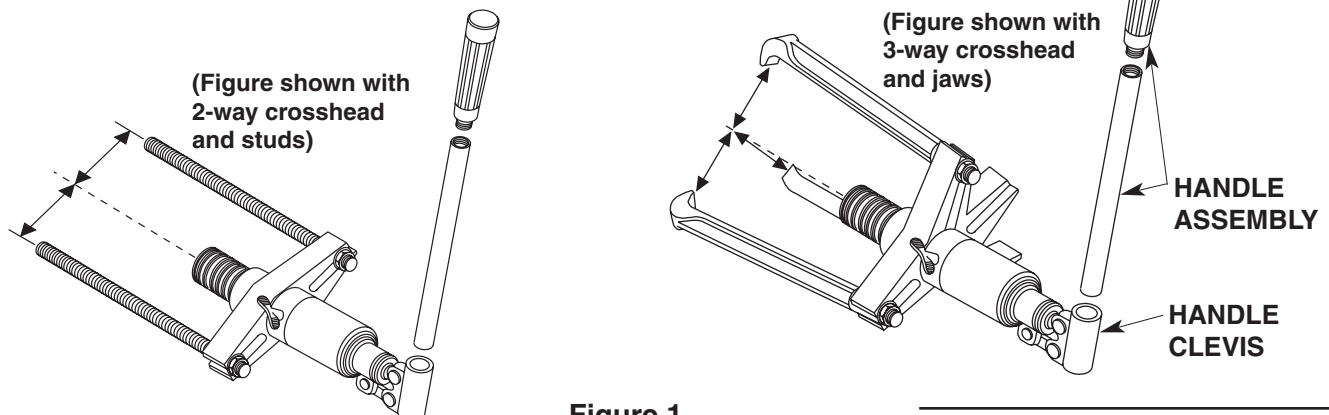


Figure 1

Sheet No. 1 of 2

Rev. Date: 30 June 1999

PULLER SETUP AND OPERATION (CONTINUED)

- Turn the control valve knob completely in a clockwise direction to advance the piston. See Figure 2.

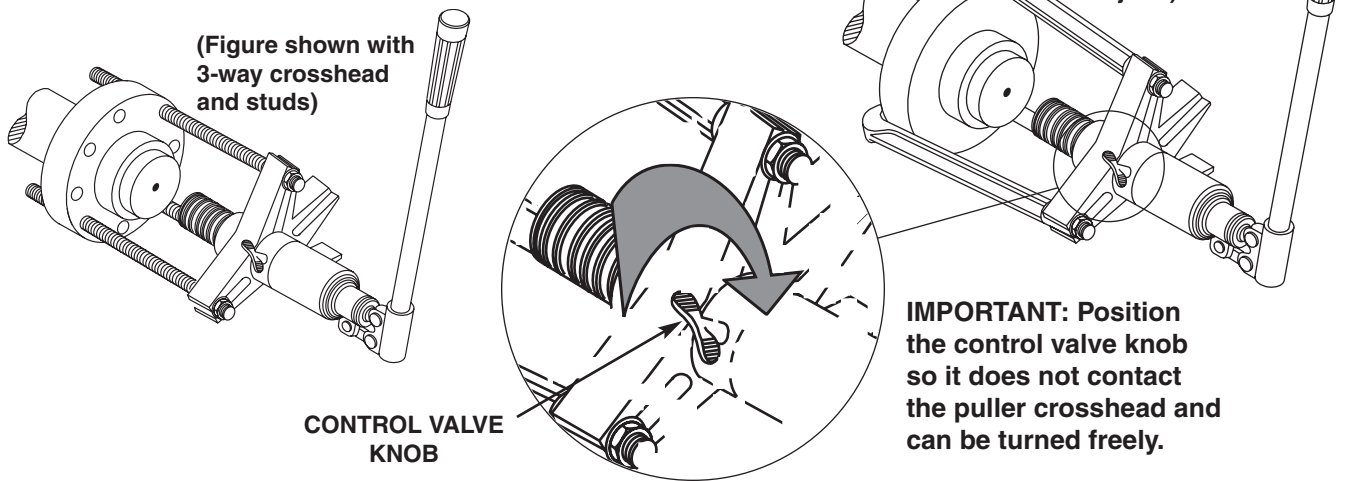


Figure 2

- Begin positioning the puller and puller jaws/studs around the part to be pulled, removing most of the slack by threading the adjusting locknut further onto the puller body or adjusting the puller legs or the jaws. Pump the handle to advance the piston, stopping just as the removable cone reaches the part. Make final puller positioning adjustments with the adjusting locknut or the piston. The puller must be on the same centerline as the part to be pulled and the jaws or studs fully engaged and secure. See Figure 3.

WARNING: The adjusting locknut must be fully engaged with the threads of the puller body as shown below.

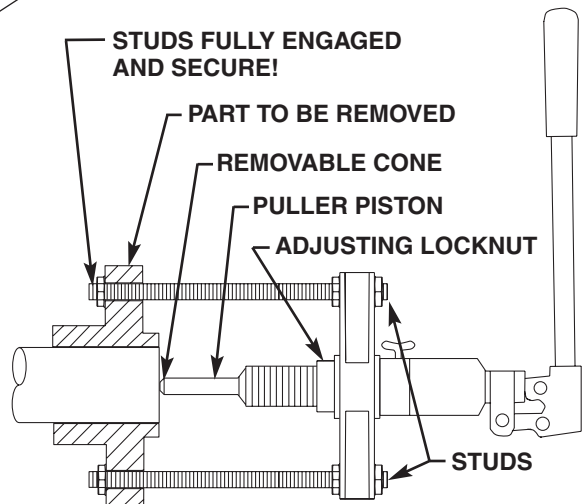
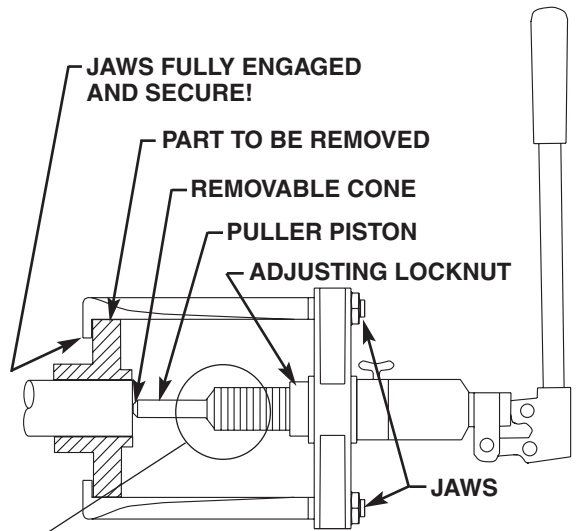
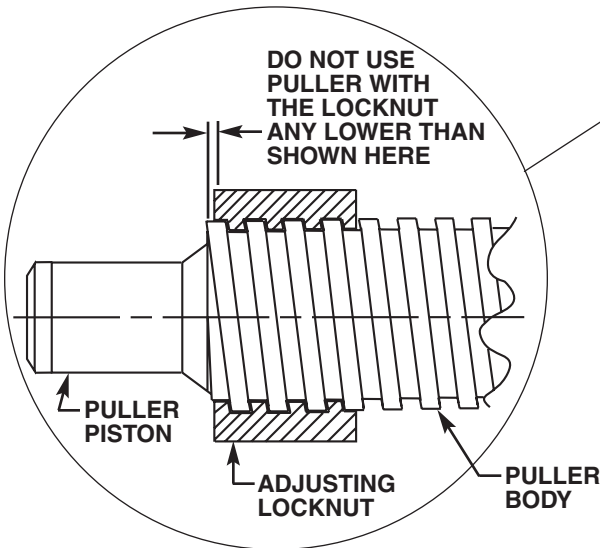


Figure 3

PULLER SETUP AND OPERATION (CONTINUED)

5. The handle assembly rotates a full 360° to allow the best handle location for the job. See Figure 4.

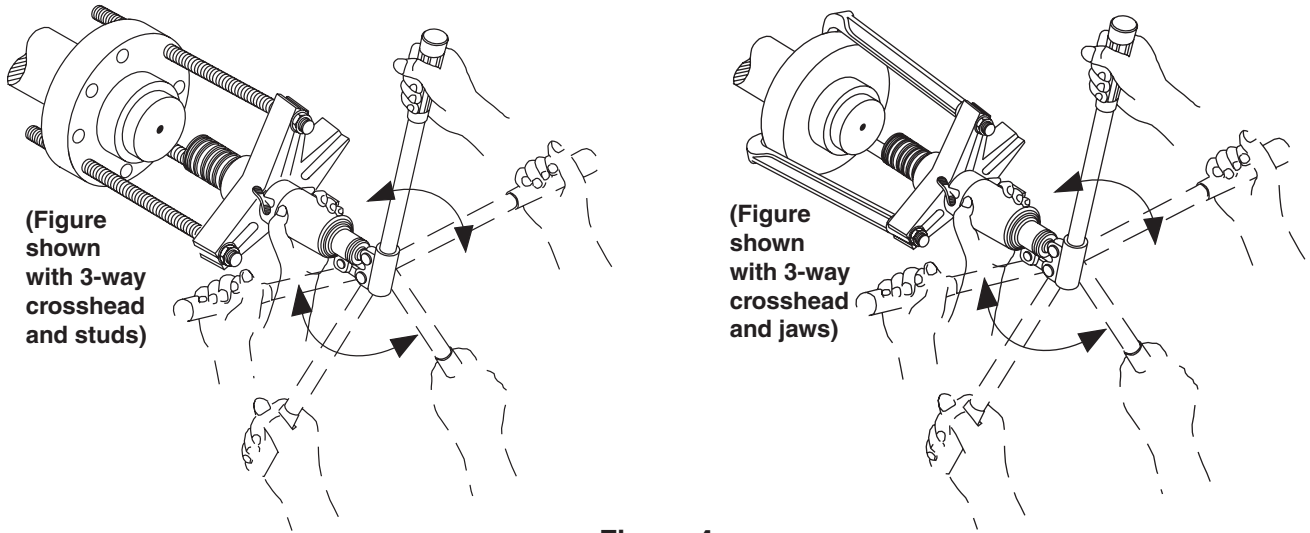


Figure 4

6. Hold the puller with one hand and pump the handle with your other hand, advancing the piston until the part is removed. See Figures 5 & 6.

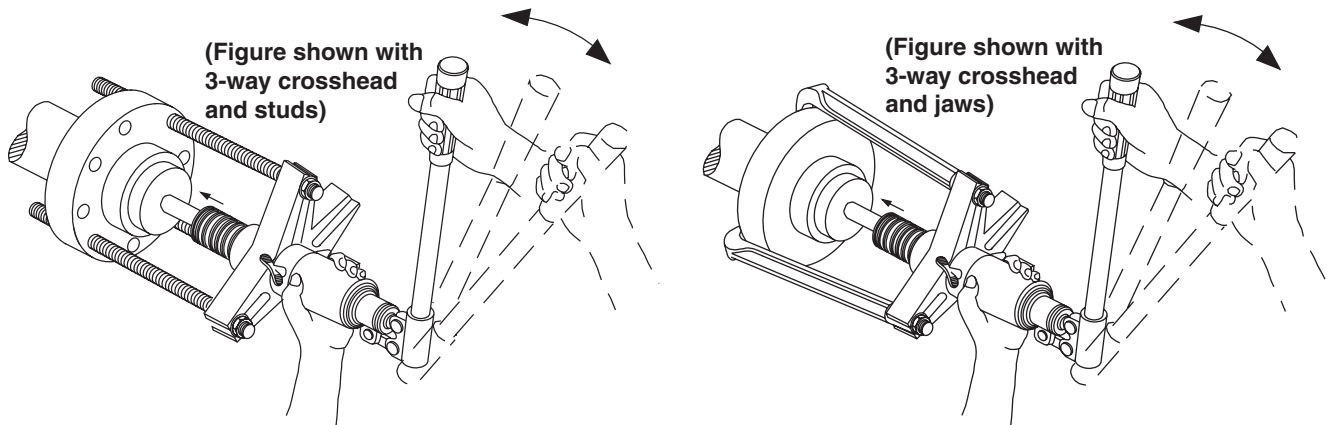


Figure 5

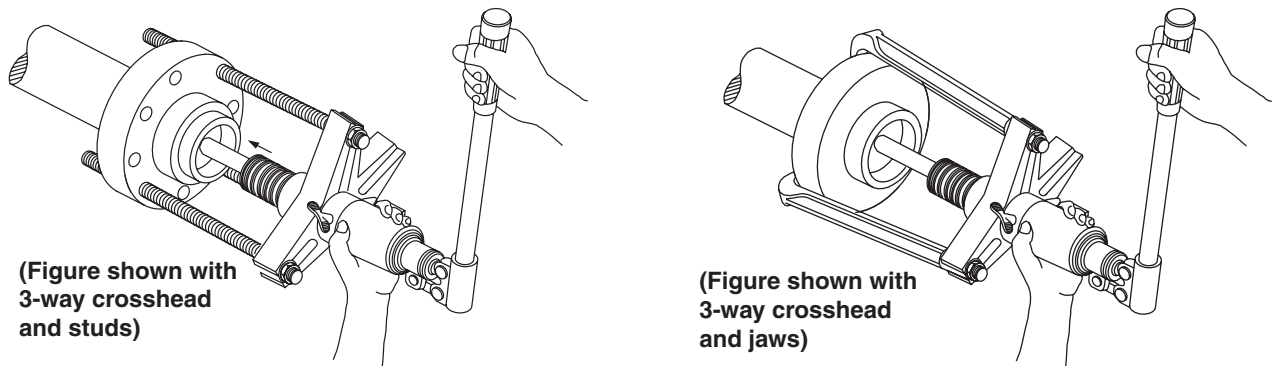


Figure 6

PULLER SETUP AND OPERATION (CONTINUED)

7. Turn the control valve knob completely in a counterclockwise direction to retract the piston. See Figure 7.

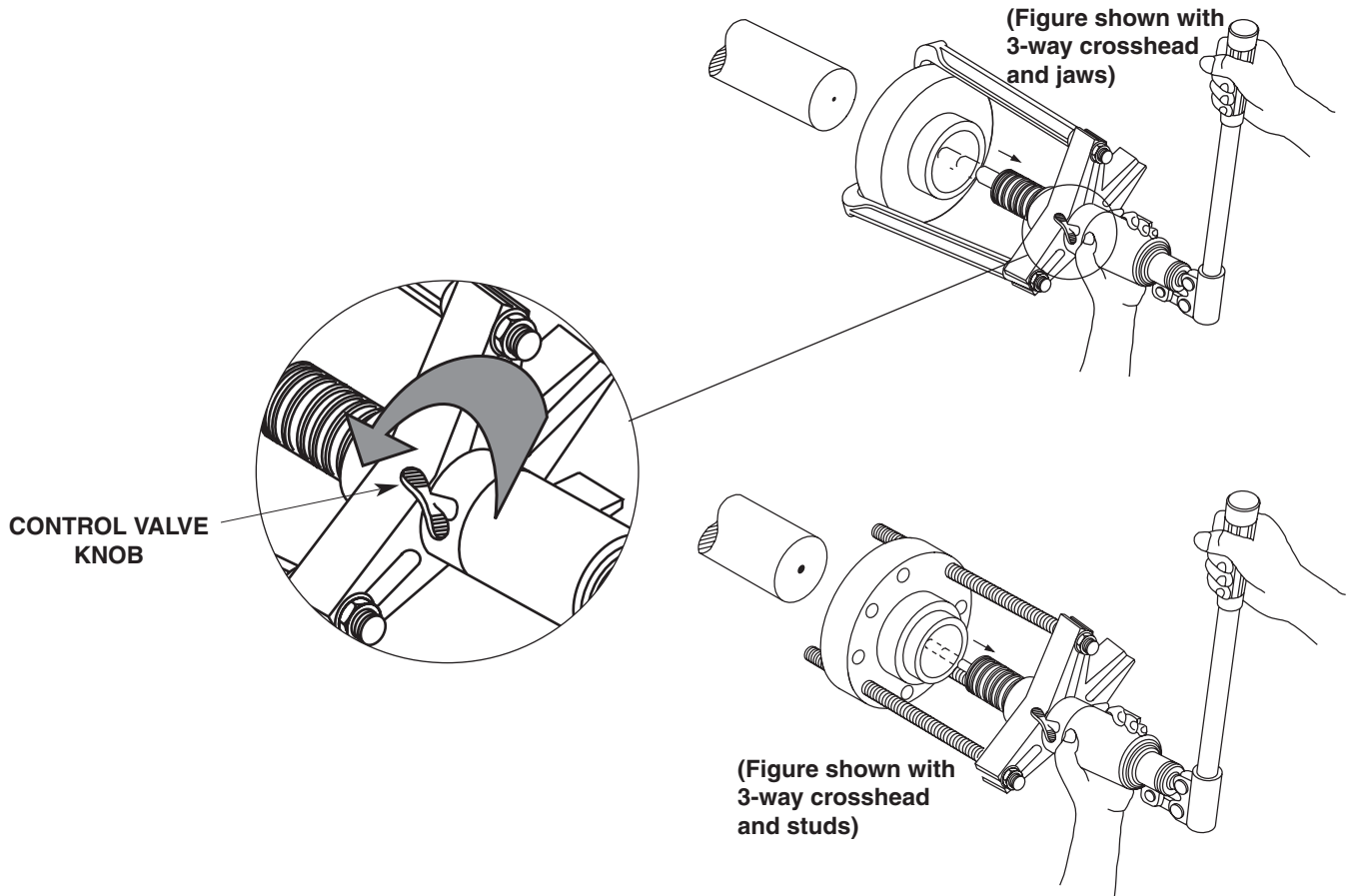


Figure 7

TYPICAL APPLICATION USING A BEARING SPLITTER

